

**GENERAL NOTES**

1. THIS CURTAIN WALL SYSTEM HAS BEEN TESTED TO TAS 202, AND MEETS THE REQUIREMENTS OF THE FLORIDA BUILDING CODE (FBC), CURRENT EDITION, INCLUDING THE HIGH VELOCITY HURRICANE ZONE.
2. THE INSTALLED CURTAIN WALL SYSTEM SHALL BE FABRICATED, GLAZED, AND ANCHORED IN ACCORDANCE WITH THIS DRAWING AS WELL AS THE APPLICABLE TEST REPORTS. A FLORIDA LICENSED ENGINEER FAMILIAR WITH CURTAIN WALL DESIGN SHALL APPROVE SHOP DRAWINGS FOR EACH PROJECT, AND THIS ENGINEER OF RECORD SHALL TAKE FULL RESPONSIBILITY FOR THE INSTALLED SYSTEM DESIGN AS A WHOLE WHILE MAKING SURE THAT THE LIMITATIONS INDICATED IN THIS DRAWING HAVE NOT BEEN EXCEEDED.
3. THIS DRAWING INDICATES VARIOUS APPROVED GLAZING METHODS AND FRAMING TYPES WHICH MAY BE USED SINGLY OR IN COMBINATION FOR EACH PROJECT. ANY NUMBER OF PANELS MAY BE USED HORIZONTALLY PROVIDED THE MAXIMUM DLO SIZES AS INDICATED IN THIS DRAWING ARE NOT EXCEEDED.
4. THIS PRODUCT IS NON-IMPACT AND REQUIRES THE USE OF APPROVED IMPACT PROTECTIVE DEVICES IN WINDBORNE DEBRIS AREAS.
5. REQUIRED DESIGN PRESSURES SHALL BE DETERMINED FOR EACH PROJECT IN ACCORDANCE WITH APPLICABLE CODE REQUIREMENTS AND GOVERNING WIND SPEEDS FOR THE PROJECT LOCATION.
6. THE ALLOWABLE DESIGN PRESSURE RATINGS IN THIS DRAWING ARE AS LIMITED BY ASTM E-1300-04 GLASS TABLES, TESTING, AND CALCULATIONS.
7. DISSIMILAR MATERIALS THAT COME INTO CONTACT, INCLUDING BUT NOT LIMITED TO FASTENERS IN CONTACT WITH PRESSURE TREATED WOOD SUBSTRATES OR ALUMINUM, SHALL BE COATED OR OTHERWISE PROTECTED PER FBC REQUIREMENTS TO PREVENT CORROSION OR GALVANIC REACTIONS.
8. SEALING AND FLASHING STRATEGIES FOR OVERALL WATER INFILTRATION RESISTANCE OF THE INSTALLED PRODUCT ARE NOT WITHIN THE SCOPE OF THIS APPROVAL AND SHALL BE THE RESPONSIBILITY OF OTHERS.
9. THE 4/3 ALLOWABLE STRESS INCREASE HAS NOT BEEN USED IN THE ANCHOR ANALYSIS FOR THIS SYSTEM. THE 1.6 Cd FACTOR WAS USED IN THE ANALYSIS OF WOOD SUBSTRATE.
10. STRUCTURAL INTEGRITY OF SUBSTRATE MATERIALS TO RECEIVE THE LOADS FROM THIS PRODUCT, TO BE VERIFIED BY OTHERS OR AS APPROVED BY THE AUTHORITY HAVING JURISDICTION.
11. THIS PRODUCT SHALL BE INSTALLED USING ONE OF THE APPROVED FASTENING OR WELDING METHODS INDICATED IN THIS DRAWING, AS APPROPRIATE FOR THE SUBSTRATE TYPE. WELD SIZES AND LOCATIONS FOR INTERMEDIATE ANCHORS SHALL BE AS INDICATED IN THE DETAILS FOR EACH CLIP TYPE, AND FOR U, F, AND T-ANCHORS THE ANCHOR SIZE, EMBEDMENT, EDGE DISTANCE, AND PATTERN WITHIN THE CLIP SHALL BE IN ACCORDANCE WITH TABLE E, SHEET 2, AND APPLICABLE DETAILS.
12. MINIMUM ANCHOR EMBEDMENTS LISTED IN THIS DRAWING SHALL BE BEYOND WALL DRESSING OR STUCCO AND FULLY INTO SUBSTRATE.
13. SUBSTRATES SHALL MEET THE MINIMUM STRENGTH REQUIREMENTS AS SHOWN IN TABLE E, SHEET 2. CONCRETE SUBSTRATES SHALL NOT BE CRACKED.

**TUBELITE**  
**CW 400 CAPTURED**  
**NON-IMPACT**  
**CURTAIN WALL SYSTEM**

3056 WALKER RIDGE DRIVE N.W.  
 WALKER, MICHIGAN 49544  
 PH: 800.566.2227  
 FX: 616.301.0009  
 WEB SITE: WWW.TUBELITEINC.COM

**TUBELITE**  
 DEPENDABLE  
 LEADERS IN ECO-EFFICIENT STOREFRONT  
 CURTAINWALL AND ENTRANCE SYSTEMS

**REVISION HISTORY:**

REV	DATE	DRAWN	DESCRIPTION
0	5.7.14	LT	ORIGINAL RELEASE
A	2.26.15	LT	ANCHOR REVISIONS

DATE: 05.07.14

DRAWING NUMBER: FPA-400-CAP-NI

DRAWN:

FINAL REVIEW:

SCALE: N.T.S.

REVISION: A

SHEET NAME:

NOTES, ELEVATION

SHEET: 1 OF 14

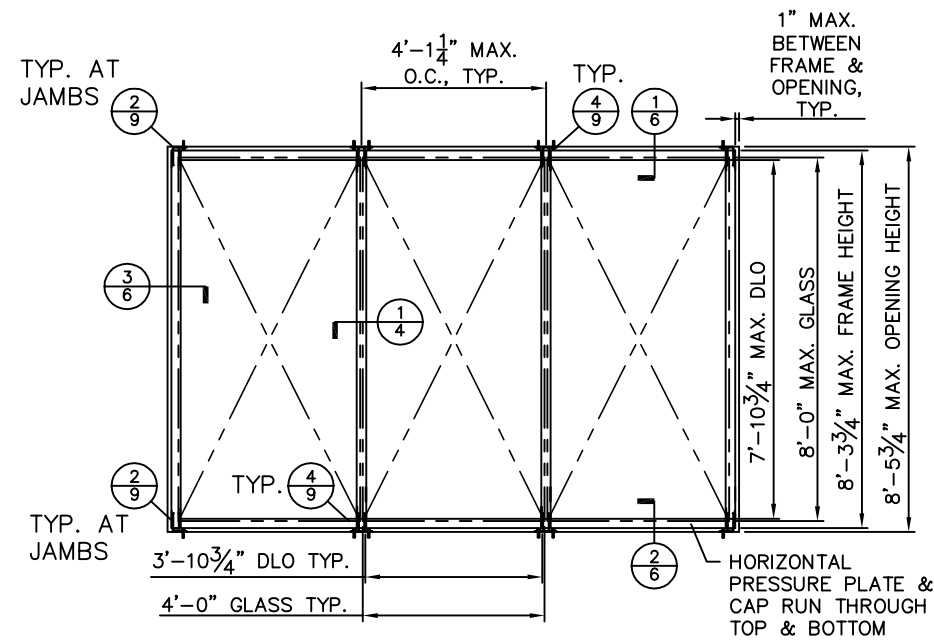
**TABLE OF CONTENTS:**

SHTS	CONTENT
1	NOTES, TWIN-SPAN ELEVATION
2	SINGLE-SPAN ELEV., GLAZING, ANCHORS
3-7	SECTION DETAILS
8	SPLICE JOINT
9-10	ANCHOR DETAILS
11-12	ASSEMBLY DETAILS
13	PART DRAWINGS
14	PART DWGS, BILL OF MATERIALS

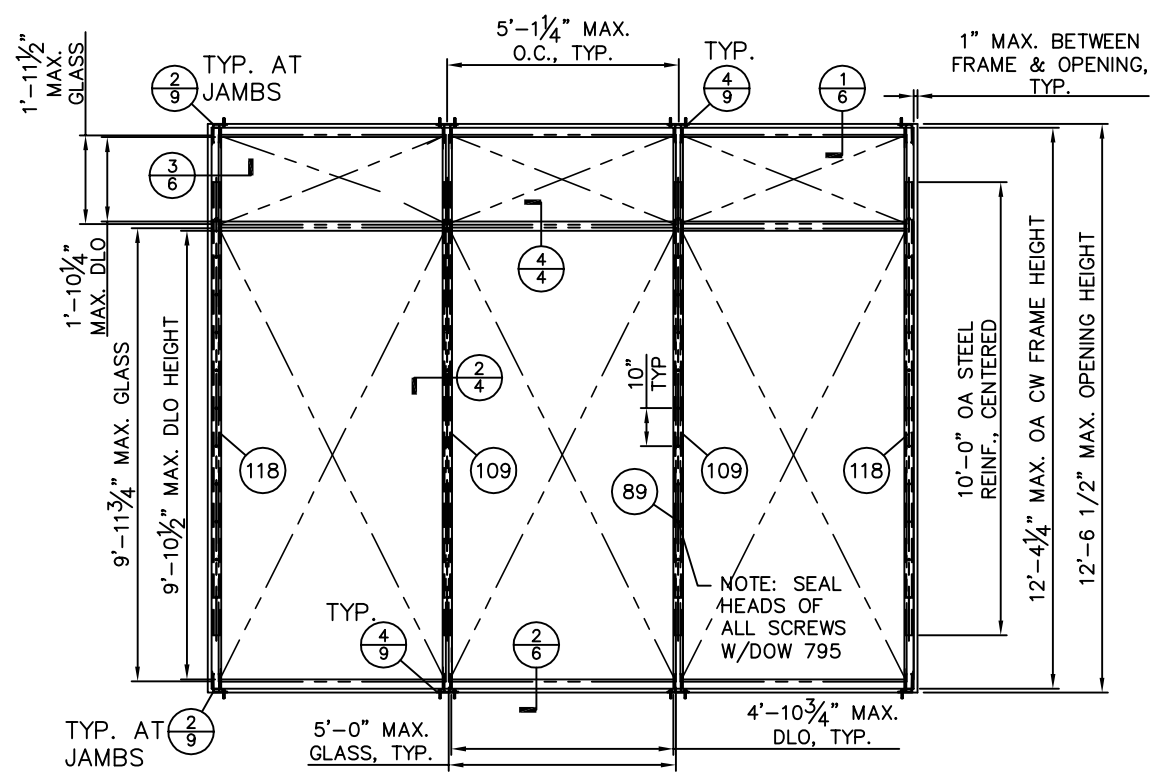
**E1** TWIN-SPAN ELEVATION  
 1 WET GLAZED, +78/-71 PSF



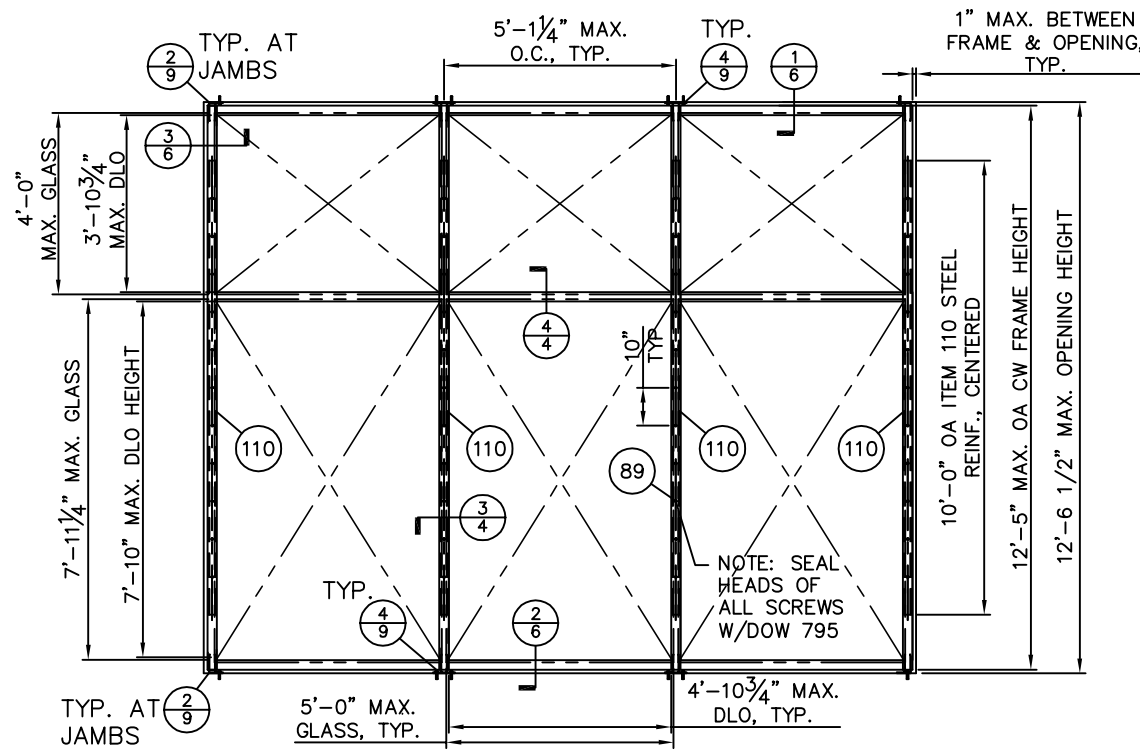
22  
 2/26/2015  
 LUCAS A. TURNER, P.E.  
 FL PE # 58201  
 TURNER ENGINEERING &  
 CONSULTING, INC.  
 (COA # 29779)  
 1239 JABARA AVE.  
 NORTH PORT, FL 34288



**E2 SINGLE-SPAN ELEVATION**  
2 WET GLAZED, +/-65 PSF



**E3 SINGLE-SPAN ELEVATION**  
2 WET GLAZED, +/-90 PSF



**E4 SINGLE-SPAN ELEVATION**  
2 DRY GLAZED, +/-70 PSF

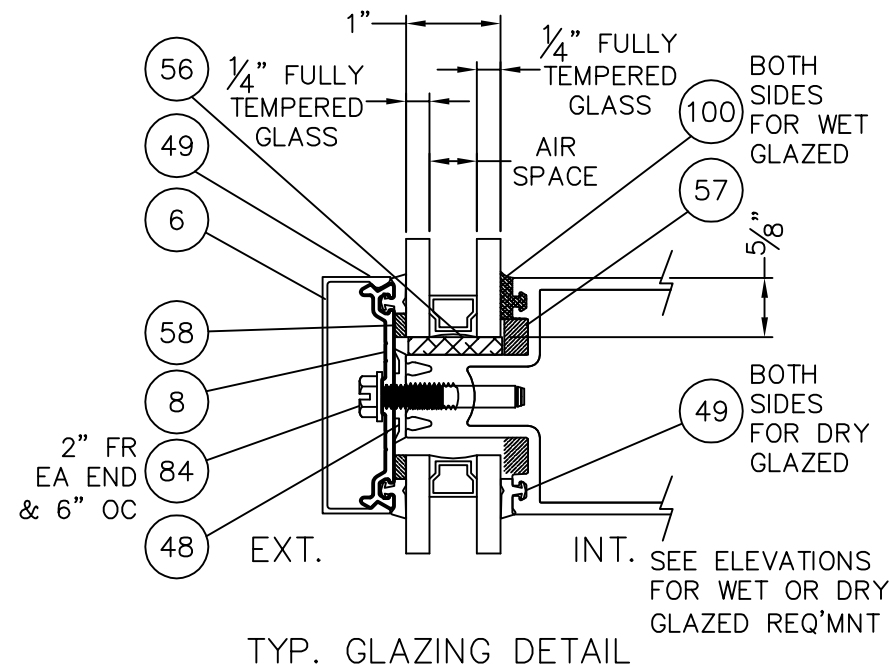


TABLE E. QUALIFIED ANCHOR INFORMATION

ID	SUBSTRATE	ANCHOR	MIN. EMBEDMENT	MIN. EDGE DISTANCE
A	SOLID UNCRACKED CONCRETE (3000 PSI MIN)	3/8" HILTI KWIK BOLT 3 CARBON OR STAINLESS STEEL, MAY BE USED ALL LOCATIONS EXCEPT DET. 1/9	2 1/2"	3"
B	SOLID UNCRACKED CONCRETE (3000 PSI MIN)	1/2" HILTI KWIK BOLT 3 CARBON OR STAINLESS STEEL, MAY BE USED ALL LOCATIONS, REQUIRED AT DETAIL 1/9 FOR CONCRETE INSTALL	2 1/4"	4 3/4"
C	SOUTHERN PINE WOOD (G=0.55 MIN)	1/2" GRADE 5 LAG SCREW	3"	2"
D	1/4" ALUM. 6063-T5 MIN. OR 1/4" STEEL 36 KSI MIN.	3/8-16 GRADE 5 SHEET METAL SCREW	SEE NOTE	3/4"

NOTE: ANCHORS THROUGH METAL SHALL BE OF SUFFICIENT LENGTH TO PROVIDE THREAD ENGAGEMENT THROUGH THE FULL METAL THICKNESS

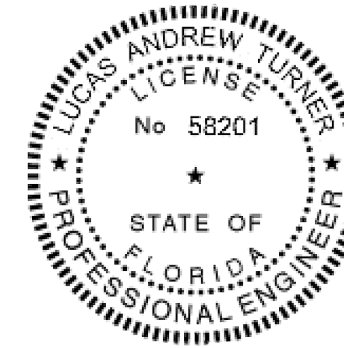
**TUBELITE**  
CW 400 CAPTURED  
NON-IMPACT  
CURTAIN WALL SYSTEM

3056 WALKER RIDGE DRIVE N.W.  
WALKER, MICHIGAN 49544  
PH: 800.566.2227  
FX: 616.301.0099  
WEB SITE: WWW.TUBELITEINC.COM

**TUBELITE**  
DEPENDABLE  
LEADERS IN ECO-EFFICIENT STOREFRONT  
CURTAINWALL AND ENTRANCE SYSTEMS

REVISION HISTORY:

REV	DATE	DESCRIPTION
0	5.7.14	ORIGINAL RELEASE
A	2.26.15	ANCHOR REVISIONS



DATE: 05.07.14

DRAWING NUMBER: FPA-400-CAP-NI

DRAWN:

FINAL REVIEW:

SCALE: N.T.S.

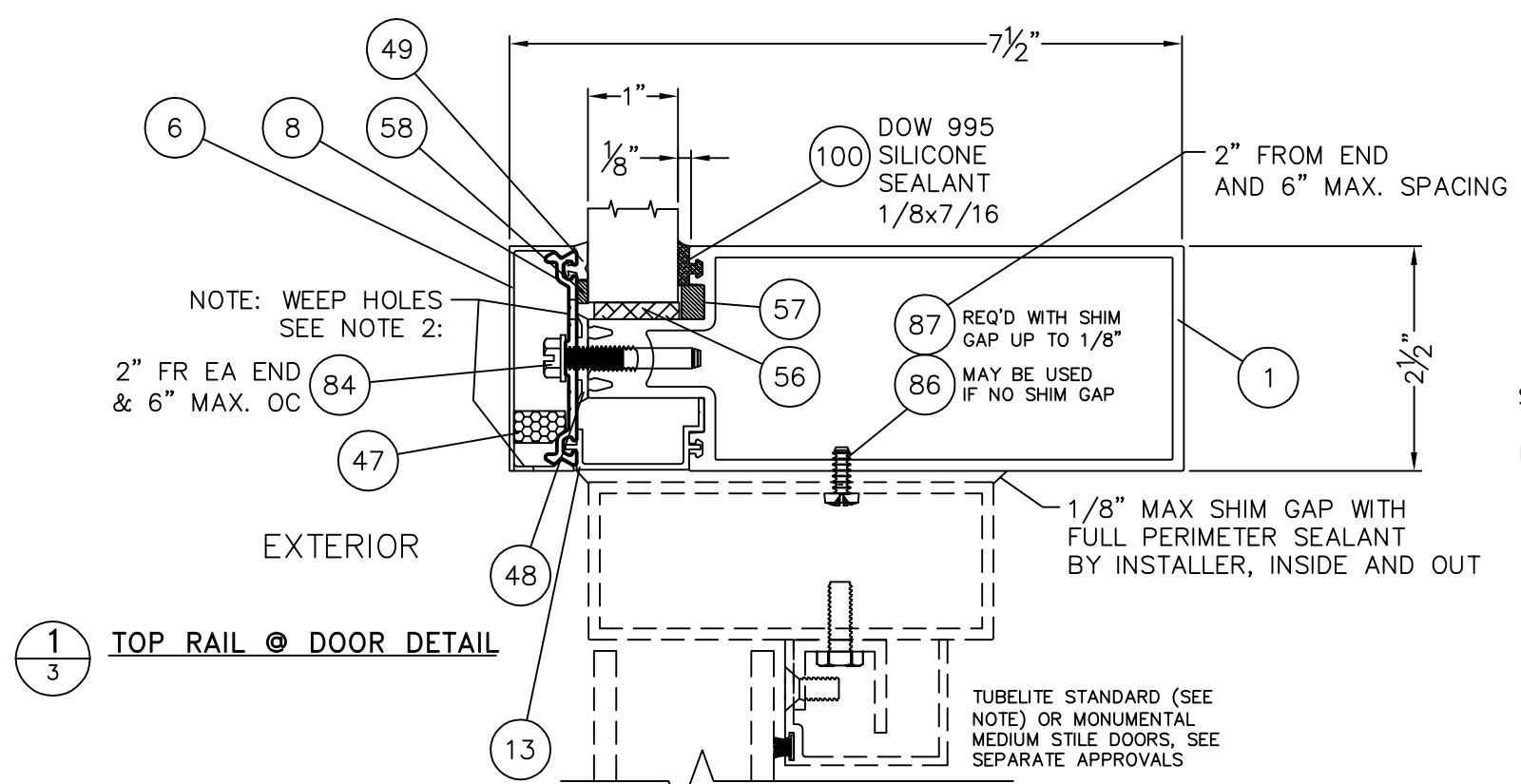
REVISION: A

SHEET NAME:

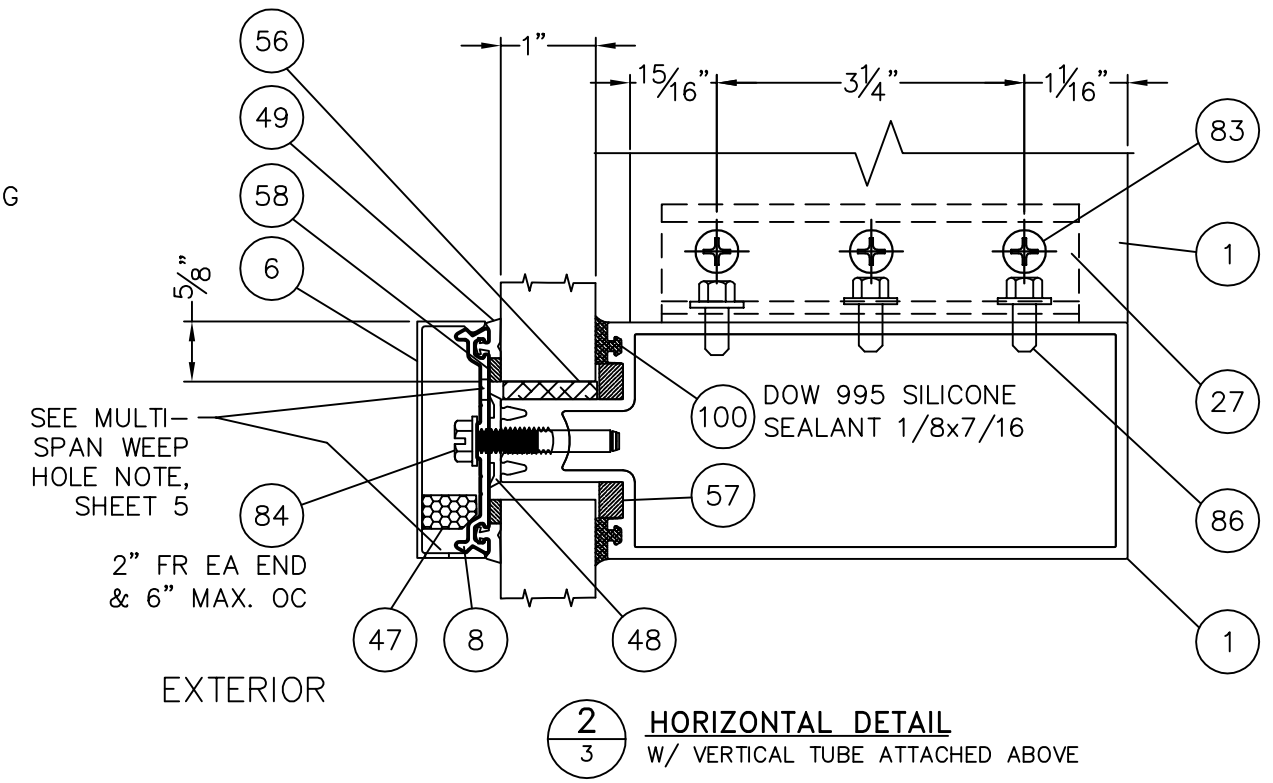
ELEVATIONS, ANCHORAGE, GLAZING DETAIL

SHEET: 2 OF 14

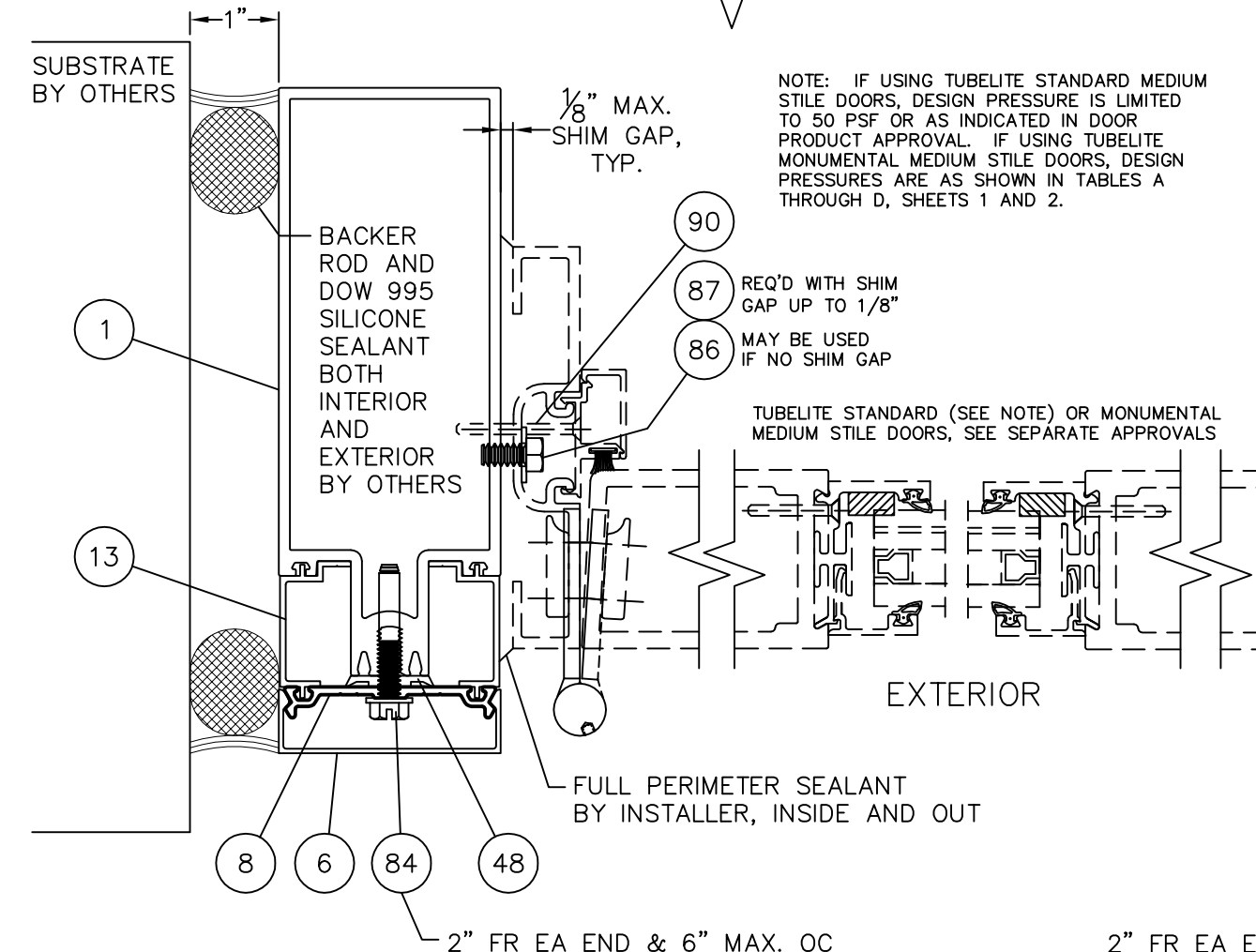
22  
2/26/2015  
LUCAS A. TURNER, P.E.  
FL PE # 58201  
TURNER ENGINEERING &  
CONSULTING, INC.  
(COA # 29779)  
1239 JABARA AVE.  
NORTH PORT, FL 34288



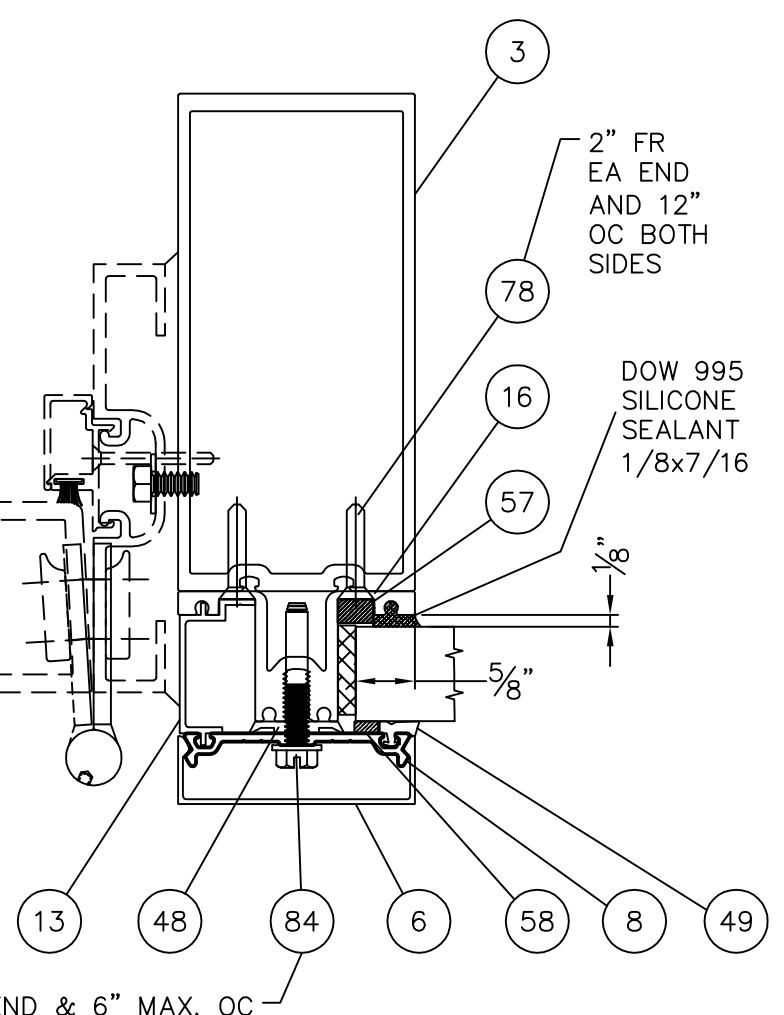
**1**  
3 TOP RAIL @ DOOR DETAIL



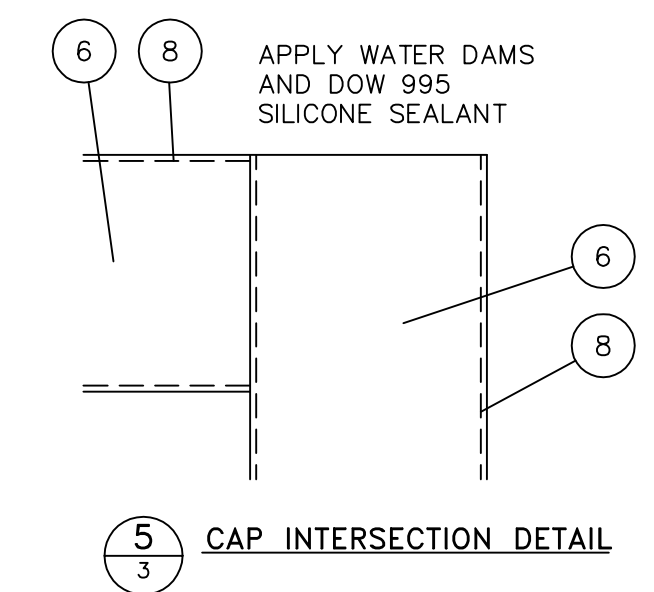
**2**  
3 HORIZONTAL DETAIL  
W/ VERTICAL TUBE ATTACHED ABOVE



**3**  
3 JAMB @ DOOR DETAIL



**4**  
3 JAMB @ DOOR DETAIL



**5**  
3 CAP INTERSECTION DETAIL



ZZ  
2/26/2015  
LUCAS A. TURNER, P.E.  
FL PE # 58201  
TURNER ENGINEERING &  
CONSULTING, INC.  
(COA # 29779)  
1239 JABARA AVE.  
NORTH PORT, FL 34288

**TUBELITE**  
CW 400 CAPTURED  
NON-IMPACT  
CURTAIN WALL SYSTEM

3056 WALKER RIDGE DRIVE N.W.  
WALKER, MICHIGAN 49544  
PH: 800.566.2227  
FX: 616.301.0095  
WEB SITE: WWW.TUBELITEINC.COM

**TUBELITE**  
DEPENDABLE  
LEADERS IN ECO-EFFICIENT STOREFRONT  
CURTAINWALL AND ENTRANCE SYSTEMS

REVISION HISTORY:	
REV.	DESCRIPTION
O	ORIGINAL RELEASE
A	ANCHOR REVISIONS

DATE:	05.07.14
DRAWING NUMBER:	FPA-400-CAP-NI
DRAWN:	
FINAL REVIEW:	
SCALE:	N.T.S.
REVISION:	A

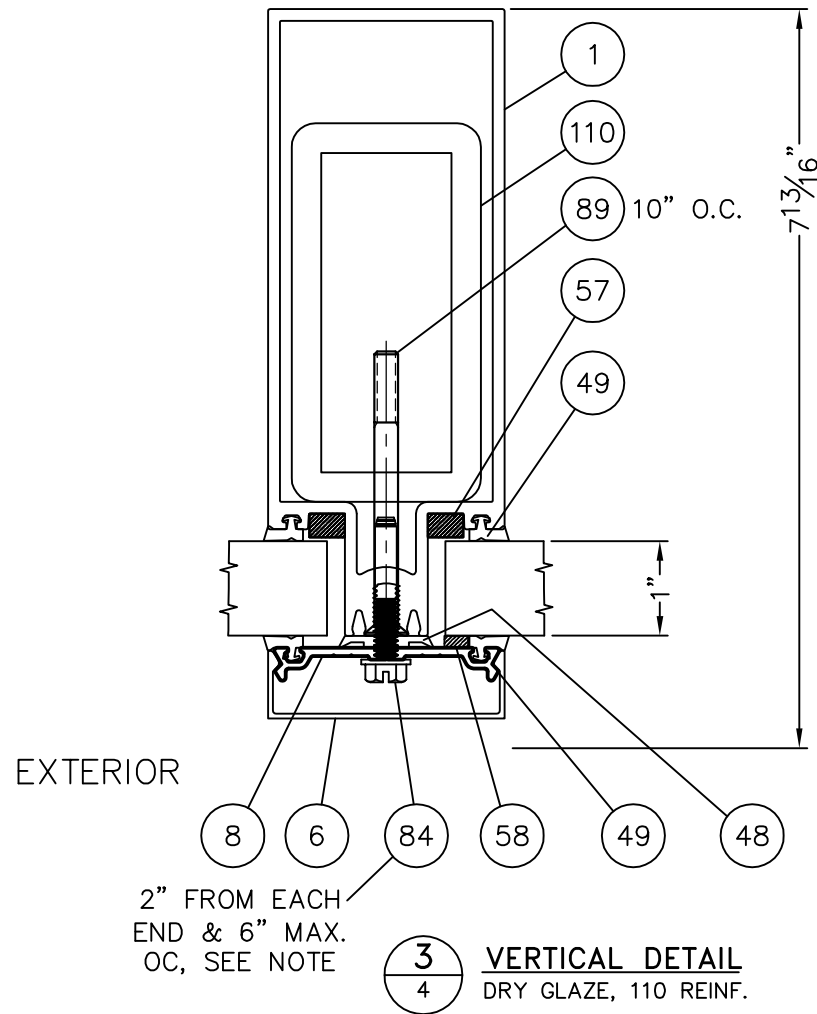
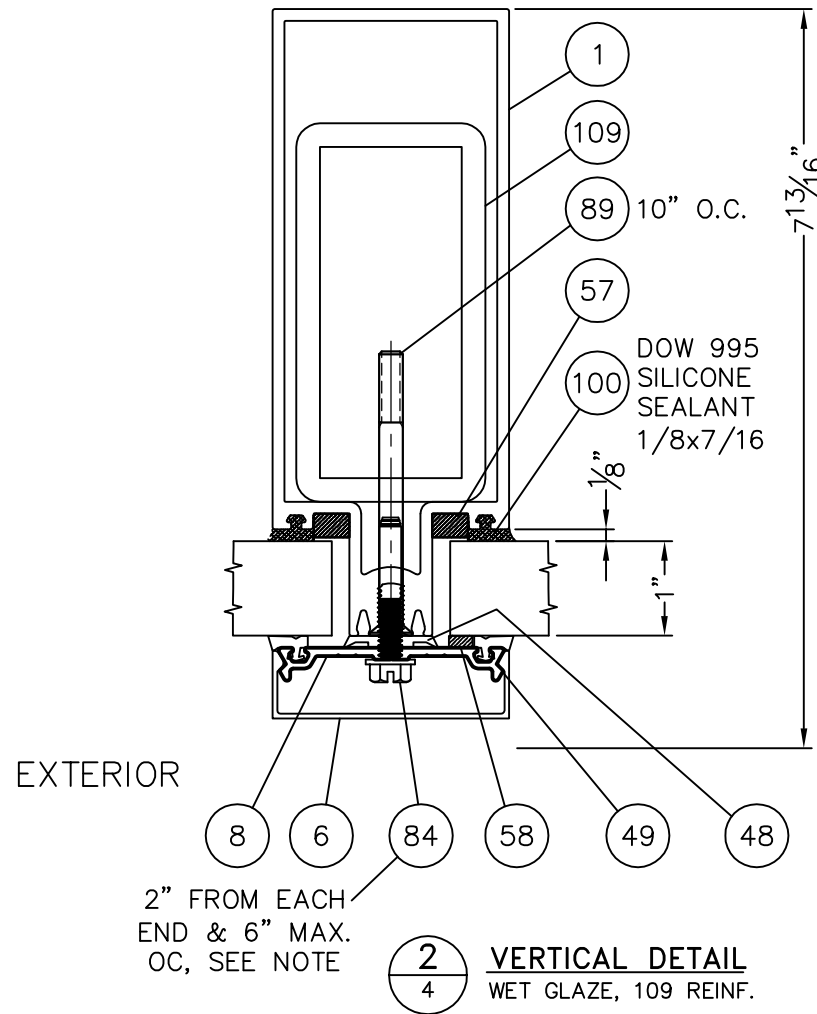
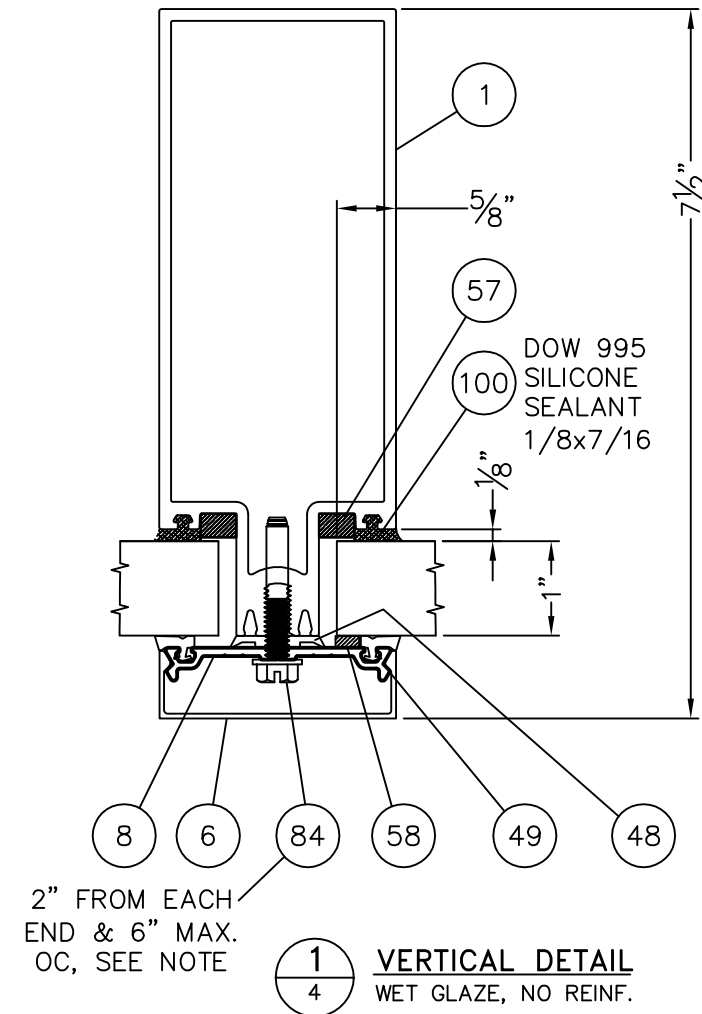
SHEET NAME:	DOOR SECTION DETAILS
SHEET:	3 OF 14



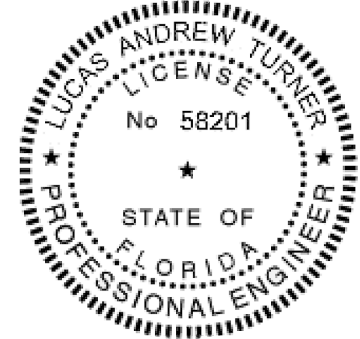
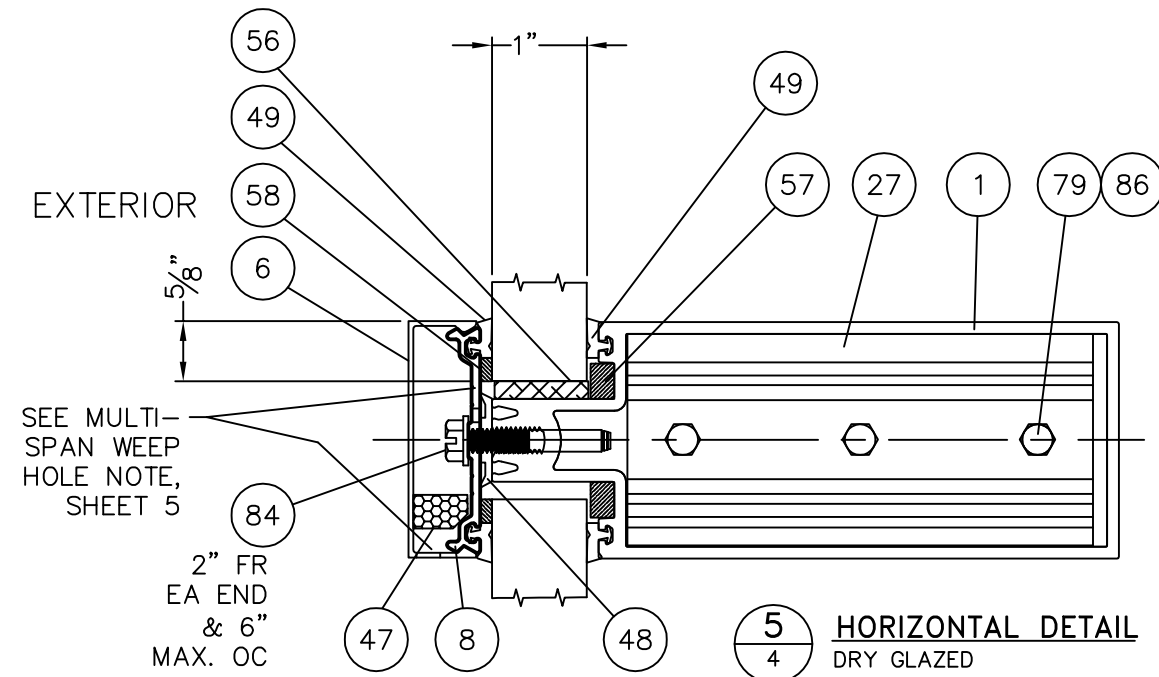
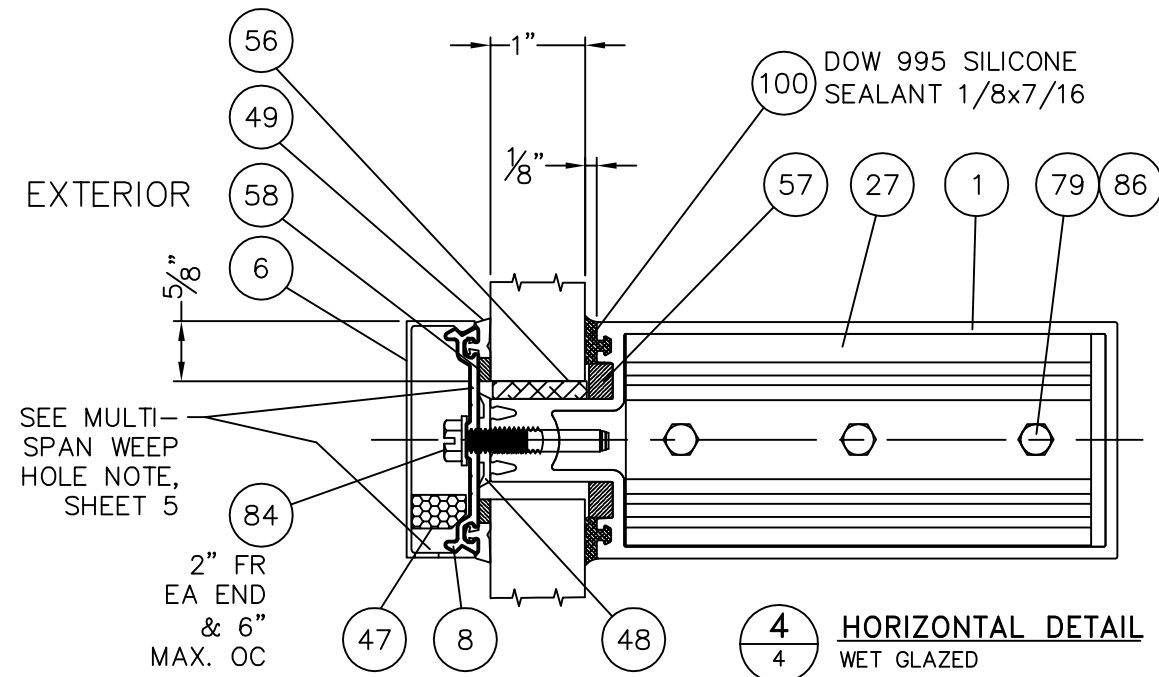
**TUBELITE  
CW 400 CAPTURED  
NON-IMPACT  
CURTAIN WALL SYSTEM**

**TUBELITE**  
DEPENDABLE  
LEADERS IN ECO-EFFICIENT STOREFRONT,  
CURTAINWALL, AND ENTRANCE SYSTEMS

3056 WALKER RIDGE DRIVE N.W.  
WALKER, MICHIGAN 49544  
PH: 800.566.2227  
FX: 616.301.0095  
WEB SITE: WWW.TUBELITEINC.COM



NOTE: SEAL HEADS OF ALL PRESSURE PLATE SCREWS W/DOW 795



22

2/26/2015  
LUCAS A. TURNER, P.E.  
FL PE # 58201  
TURNER ENGINEERING & CONSULTING, INC.  
(COA # 29779)  
1239 JABARA AVE.  
NORTH PORT, FL 34288

REV.	DATE	DESCRIPTION	DRAWN	DATE	DESCRIPTION
0	5.7.14	ORIGINAL RELEASE	LT		
A	2.26.15	ANCHOR REVISIONS	LT		

DATE: 05.07.14  
DRAWING NUMBER: FPA-400-CAP-NI  
DRAWN:  
FINAL REVIEW:  
SCALE: N.T.S.  
REVISION: A  
SHEET NAME: INTERMEDIATE SECTION DETAILS  
SHEET: 4 OF 14

**TUBELITE  
CW 400 CAPTURED  
NON-IMPACT  
CURTAIN WALL SYSTEM**

3056 WALKER RIDGE DRIVE N.W.  
WALKER, MICHIGAN 49544  
PH: 800.566.2227  
FX: 616.301.0009  
WEB SITE: WWW.TUBELITEINC.COM



REVISION HISTORY:

REV	DATE	DESCRIPTION
0	15.7.14	ORIGINAL RELEASE
A	2.26.15	ANCHOR REVISIONS

DATE: 05.07.14

DRAWING NUMBER:  
FPA-400-CAP-NI

DRAWN:

FINAL REVIEW:

SCALE: N.T.S.

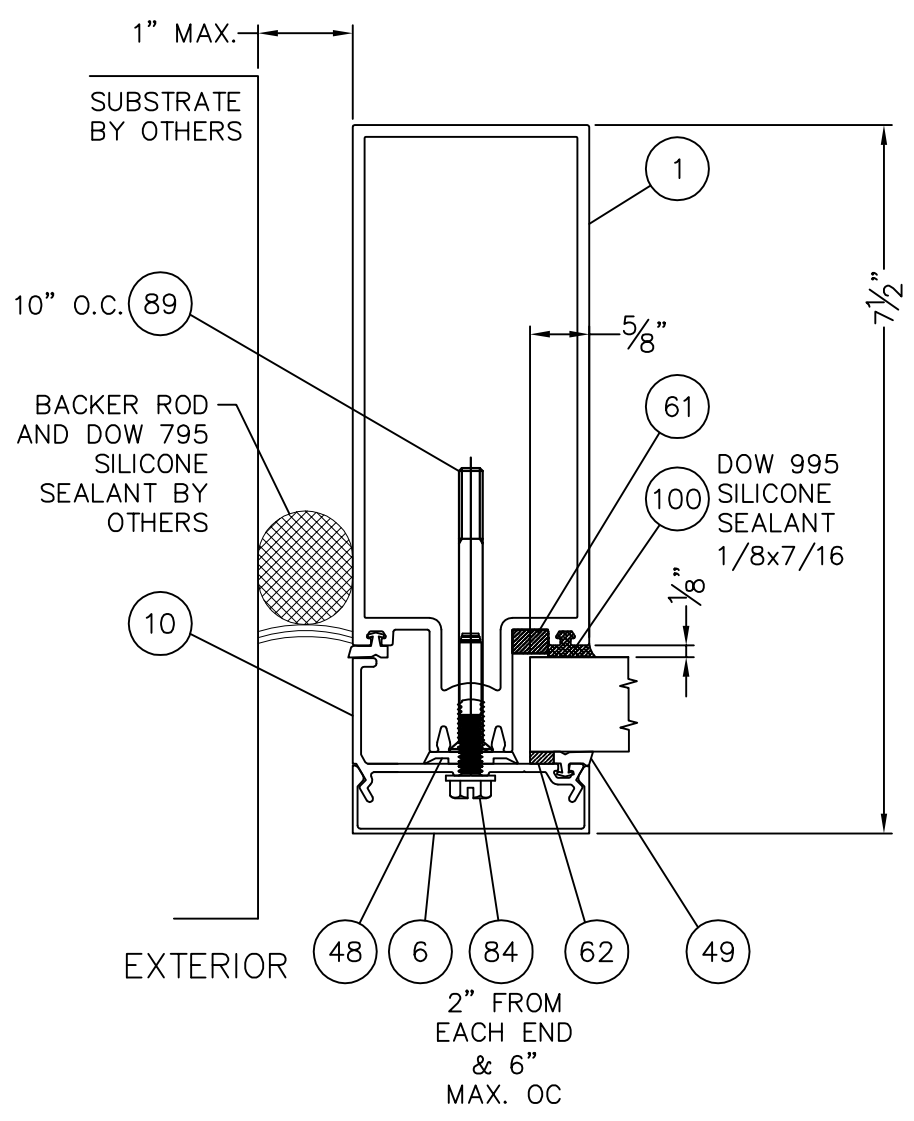
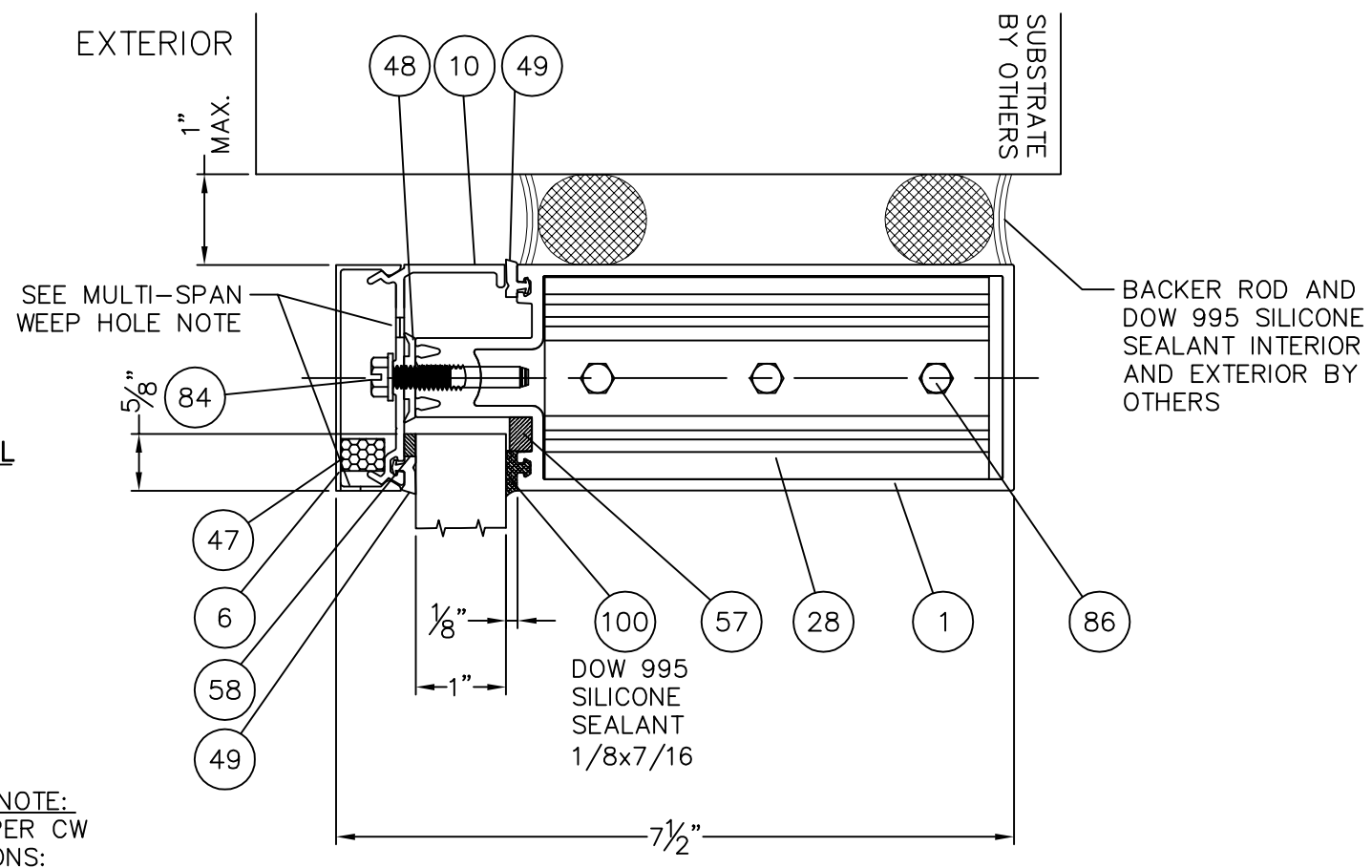
REVISION: A

SHEET NAME:

TWIN-SPAN PERIMETER DETAILS

SHEET: 5 OF 14

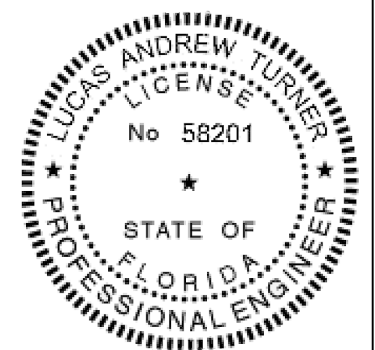
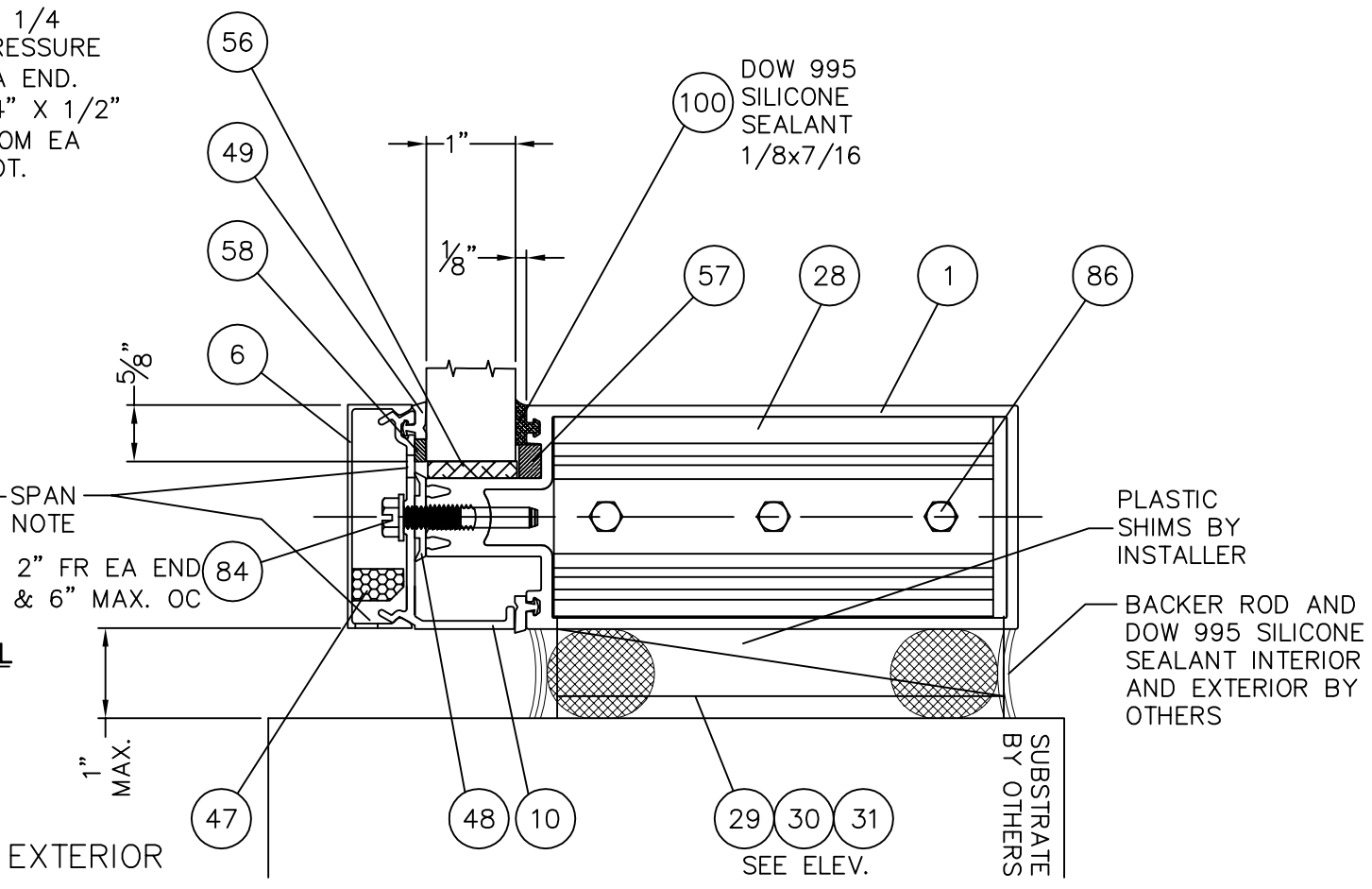
**1 HEAD DETAIL**  
TWIN-SPAN



**3 JAMB DETAIL**  
TWIN-SPAN

TWIN-SPAN WEEP HOLE NOTE:  
WEEP HOLE LOCATIONS PER CW  
INSTALLATION INSTRUCTIONS:  
PRESSURE PLATE - (3) 1/4"  
DIA. HOLES ONE MID BAY AND  
(1) HALF WAY BETWEEN 1/4  
POINTS AND END OF PRESSURE  
PLATE. MIN 4" FROM EA END.  
SNAP COVER - (2) 1/4" X 1/2"  
LONG SLOTS 1' MAX FROM EA  
END TO CENTER OF SLOT.

**2 SILL DETAIL**  
TWIN-SPAN



2/26/2015  
LUCAS A. TURNER, P.E.  
FL PE # 58201  
TURNER ENGINEERING &  
CONSULTING, INC.  
(COA # 29779)  
1239 JABARA AVE.  
NORTH PORT, FL 34288

**TUBELITE  
CW 400 CAPTURED  
NON-IMPACT  
CURTAIN WALL SYSTEM**

3056 WALKER RIDGE DRIVE N.W.  
WALKER, MICHIGAN 49544  
PH: 800.566.2227  
FX: 616.301.0095  
WEB SITE: WWW.TUBELITEINC.COM

**TUBELITE**  
DEPENDABLE  
LEADERS IN ECO-EFFICIENT STOREFRONT  
CURTAINWALL AND ENTRANCE SYSTEMS

REVISION HISTORY:

REV	DATE	DESCRIPTION
0	15.7.14	ORIGINAL RELEASE
A	2.26.15	ANCHOR REVISIONS

DATE: 05.07.14

DRAWING NUMBER:  
FPA-400-CAP-NI

DRAWN:

FINAL REVIEW:

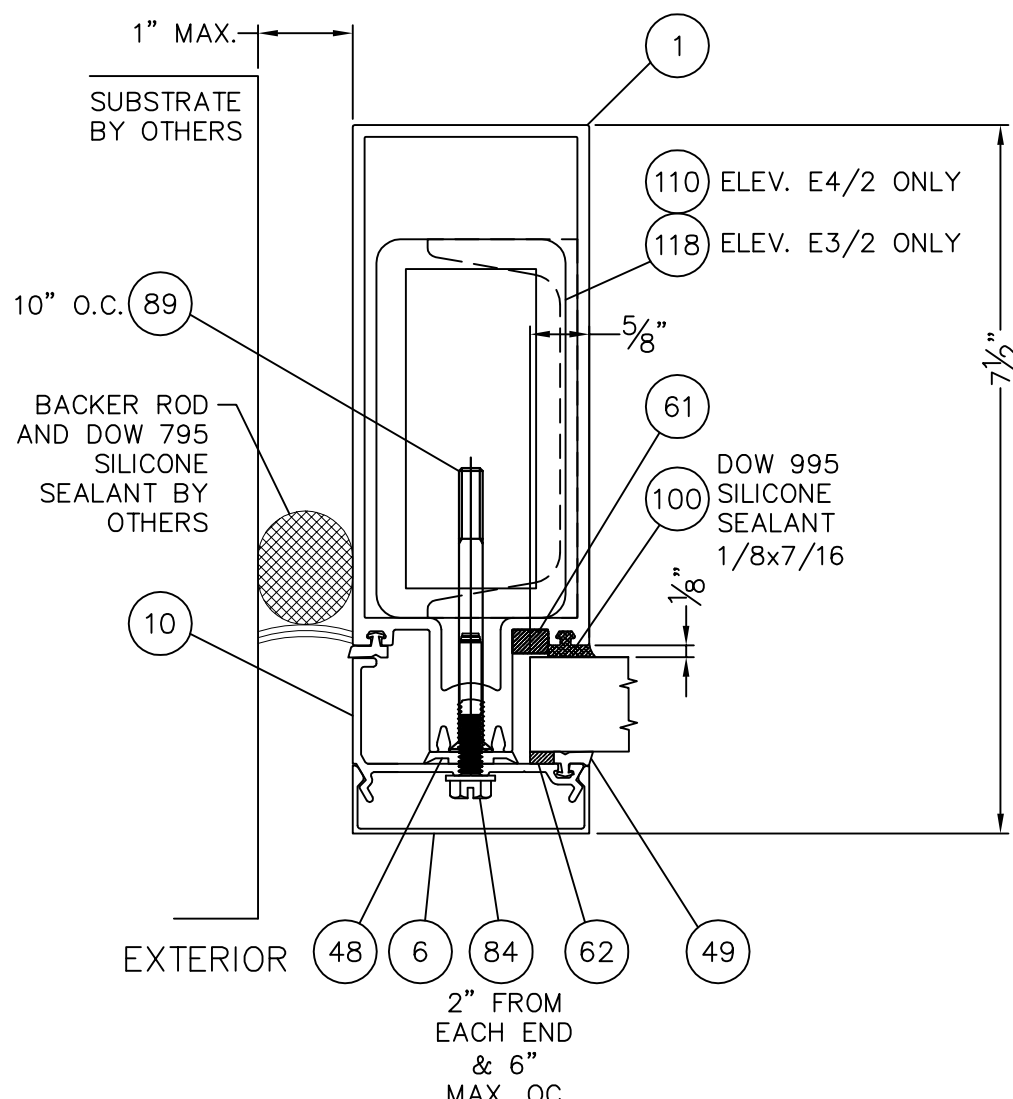
SCALE: N.T.S.

REVISION: A

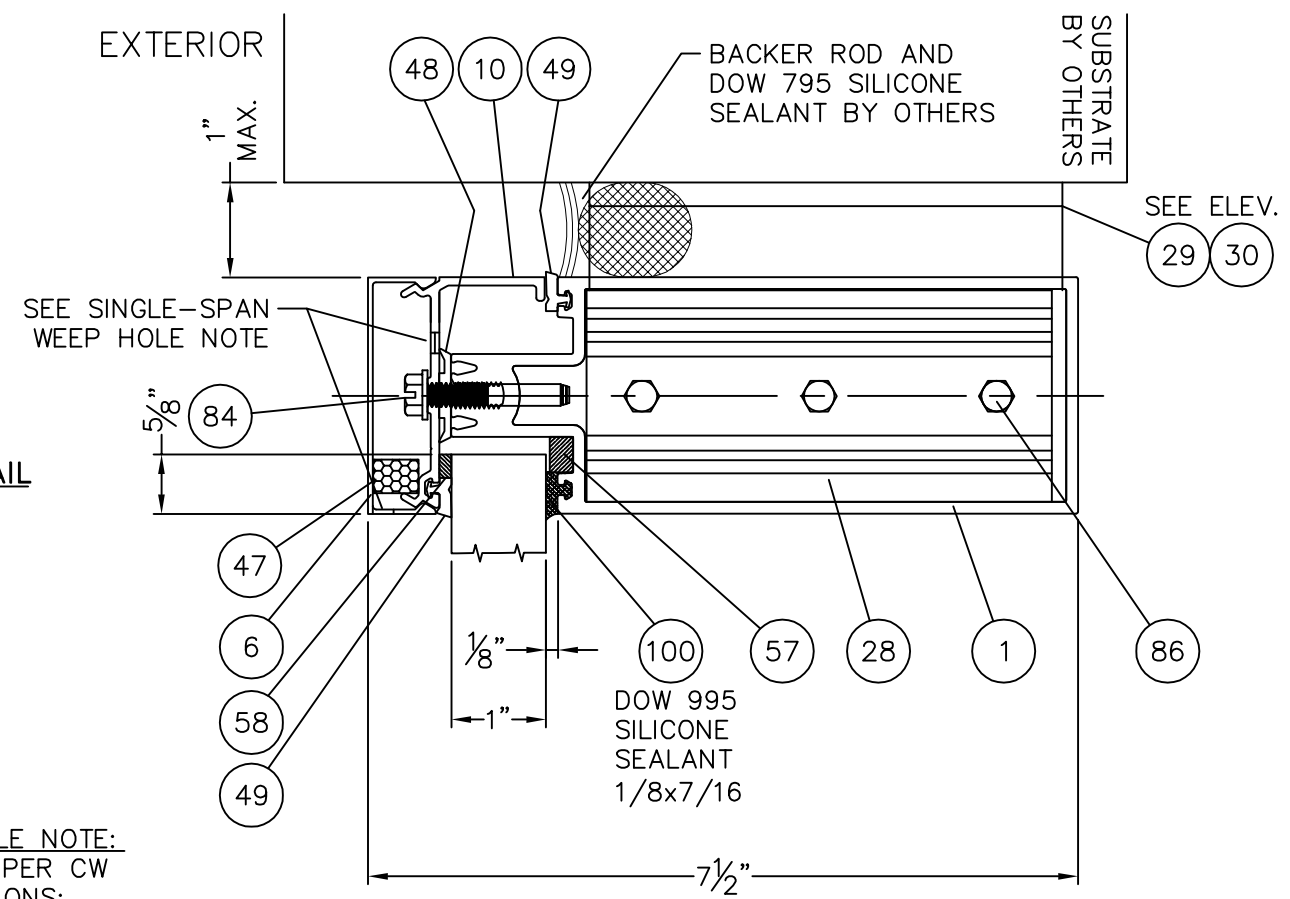
SHEET NAME:

SINGLE-SPAN  
PERIMETER  
DETAILS

SHEET: 6 OF 14

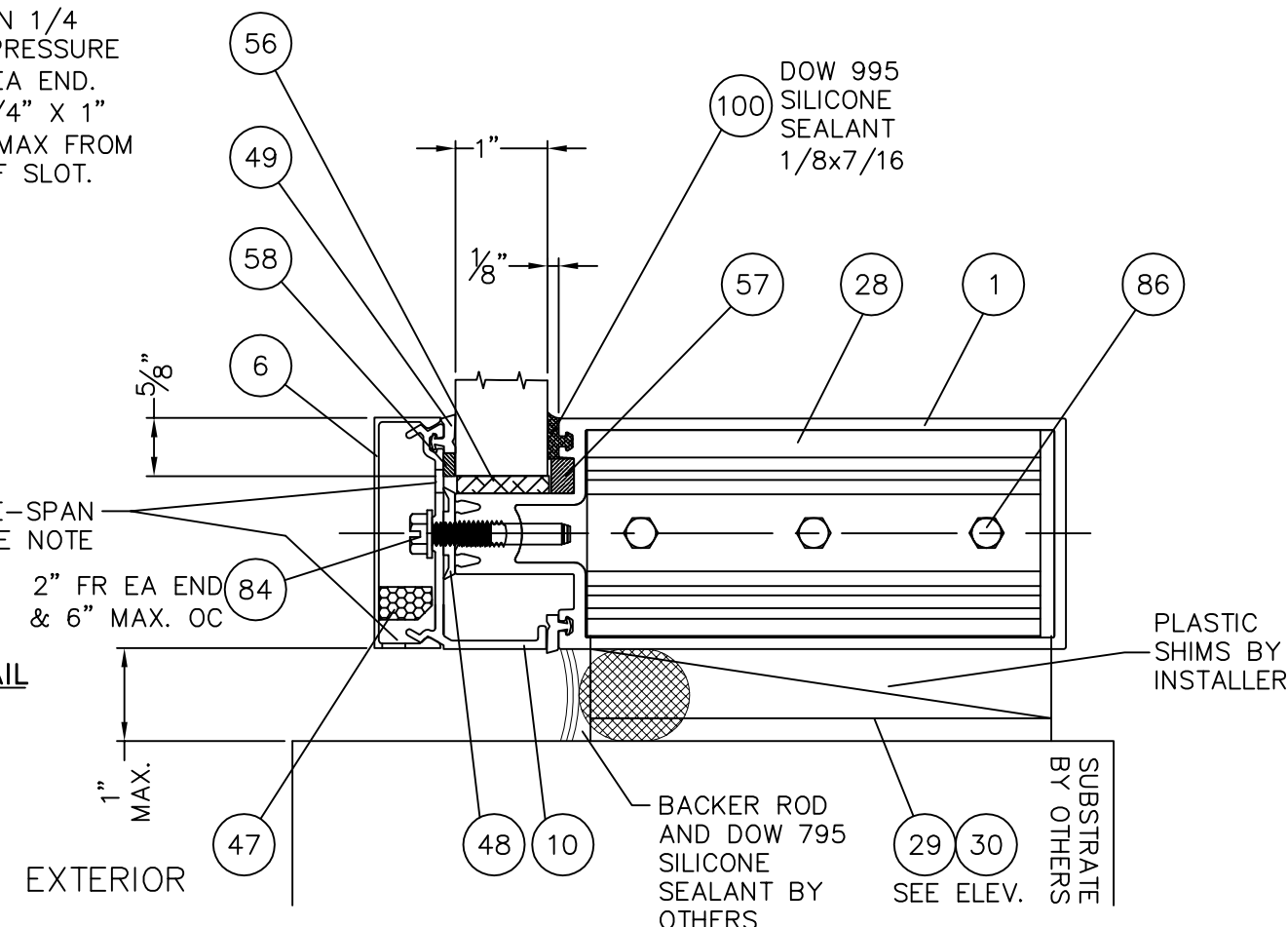


**3**  
6 **JAMB DETAIL**  
SINGLE-SPAN

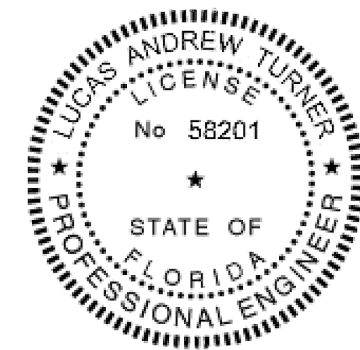


**1**  
6 **HEAD DETAIL**  
SINGLE-SPAN

SINGLE-SPAN WEEP HOLE NOTE:  
WEEP HOLE LOCATIONS PER CW  
INSTALLATION INSTRUCTIONS:  
PRESSURE PLATE - (3) 1/4"  
DIA. HOLES ONE MID BAY AND  
(1) HALF WAY BETWEEN 1/4  
POINTS AND END OF PRESSURE  
PLATE. MIN 4" FROM EA END.  
SNAP COVER - (2) 1/4" X 1"  
LONG SLOTS 1 3/16" MAX FROM  
EA END TO CENTER OF SLOT.



**2**  
6 **SILL DETAIL**  
SINGLE-SPAN



27  
2/26/2015  
LUCAS A. TURNER, P.E.  
FL PE # 58201  
TURNER ENGINEERING &  
CONSULTING, INC.  
(COA # 29779)  
1239 JABARA AVE.  
NORTH PORT, FL 34288

REVISION HISTORY:

REV	DATE	DESCRIPTION
0	5.7.14	ORIGINAL RELEASE
A	2.26.15	ANCHOR REVISIONS

DATE: 05.07.14

DRAWING NUMBER:  
 FPA-400-CAP-NI

DRAWN:

FINAL REVIEW:

SCALE: N.T.S.

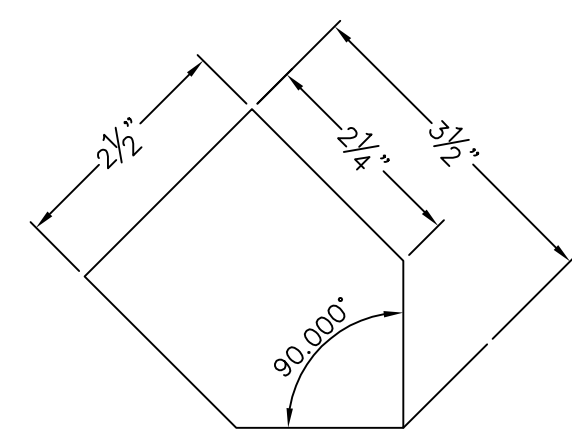
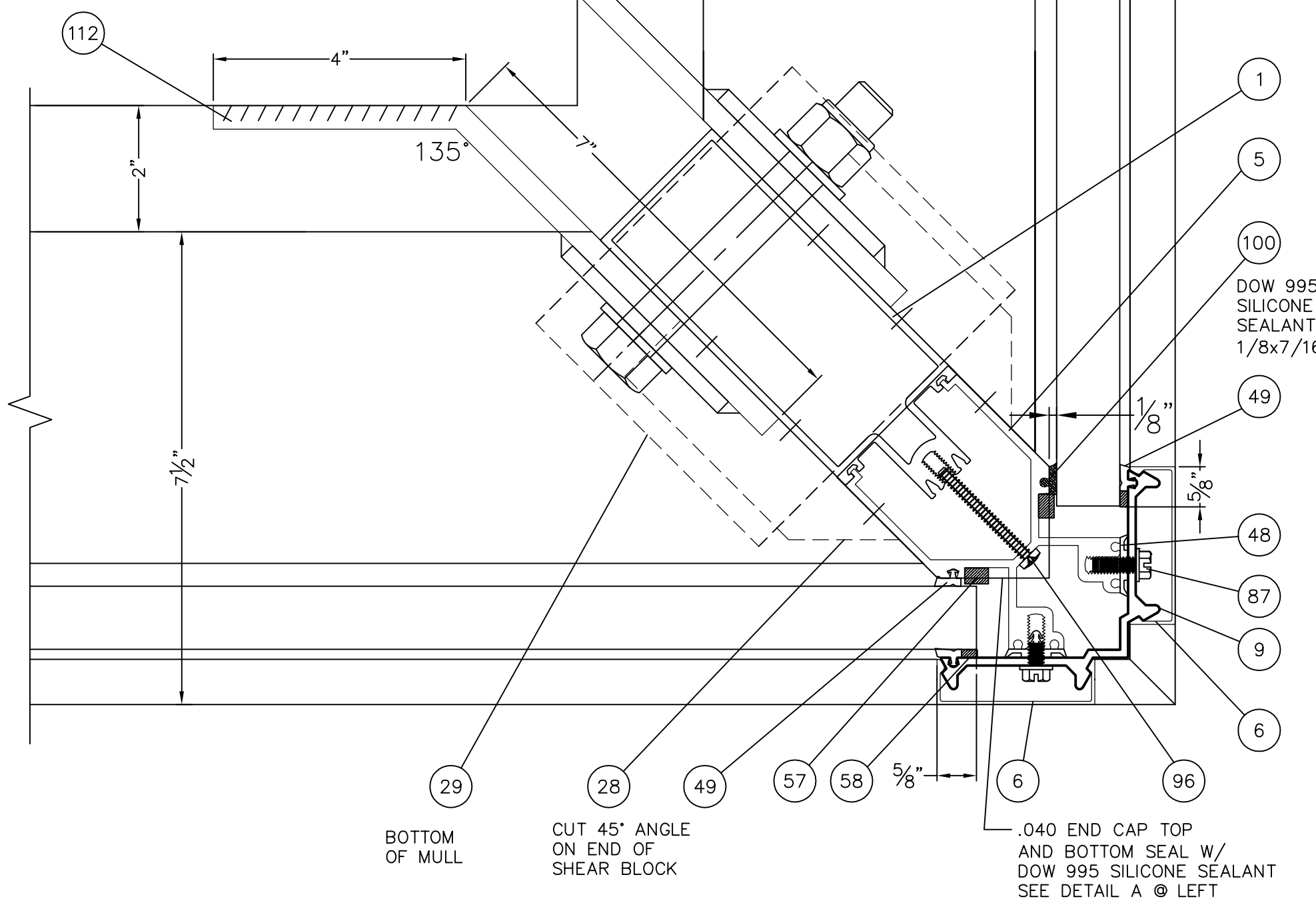
REVISION: A

SHEET NAME:

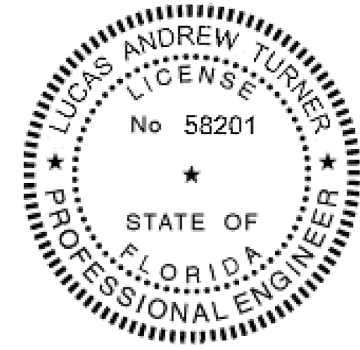
CORNER  
 SECTION  
 DETAIL

SHEET: 7 OF 14

SEE SHEETS 10 FOR  
 ADDITIONAL DETAILS.  
 ANCHOR~WELD AND  
 BOLT CALL OUTS



EXTERIOR



2/26/2015  
 LUCAS A. TURNER, P.E.  
 FL PE # 58201  
 TURNER ENGINEERING &  
 CONSULTING, INC.  
 (COA # 29779)  
 1239 JABARA AVE.  
 NORTH PORT, FL 34288

REVISION HISTORY:

REV.	DATE	DRAWN	DESCRIPTION
0	5.7.14	LT	ORIGINAL RELEASE
A	2.26.15	LT	ANCHOR REVISIONS

DATE: 05.07.14

DRAWING NUMBER:  
FPA-400-CAP-NI

DRAWN:

FINAL REVIEW:

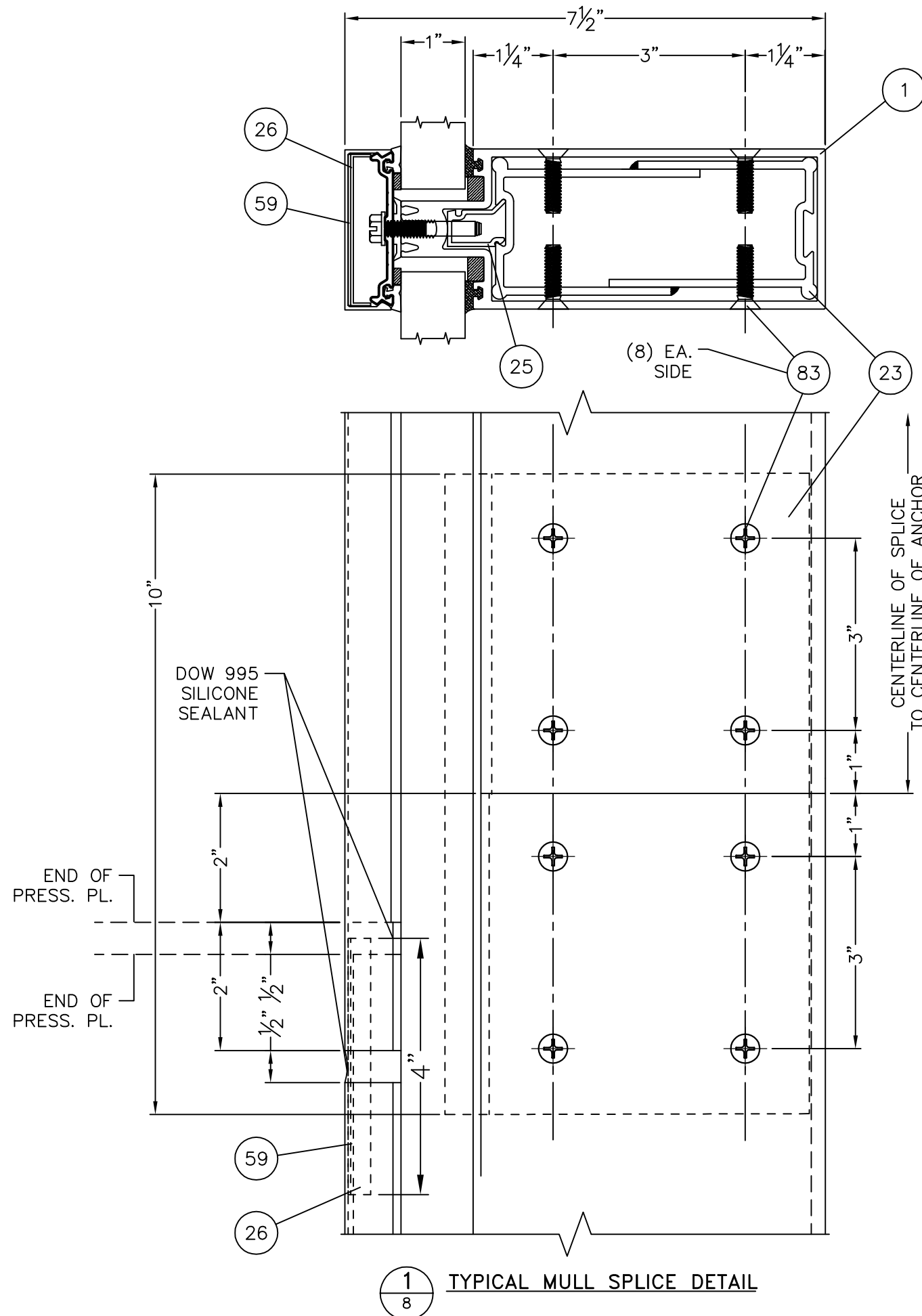
SCALE: N.T.S.

REVISION: A

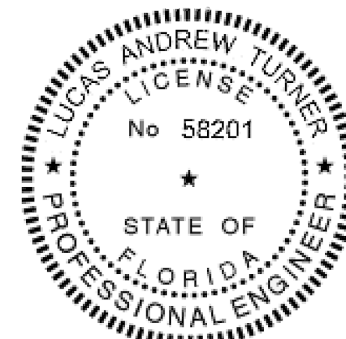
SHEET NAME:

SPLICE  
JOINT  
DETAILS

SHEET: 8 OF 14

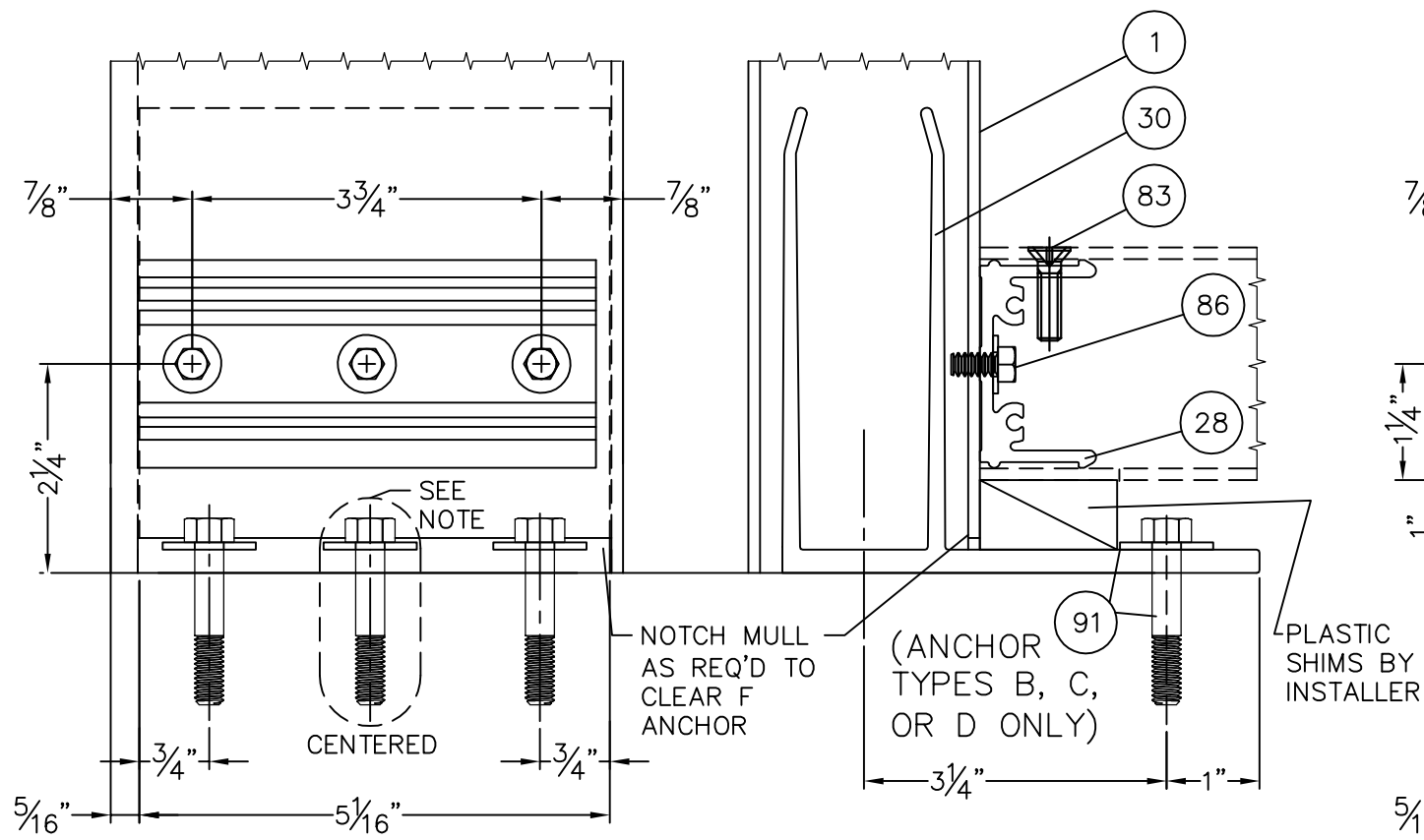


**1**  
8 TYPICAL MULLION SPLICE DETAIL

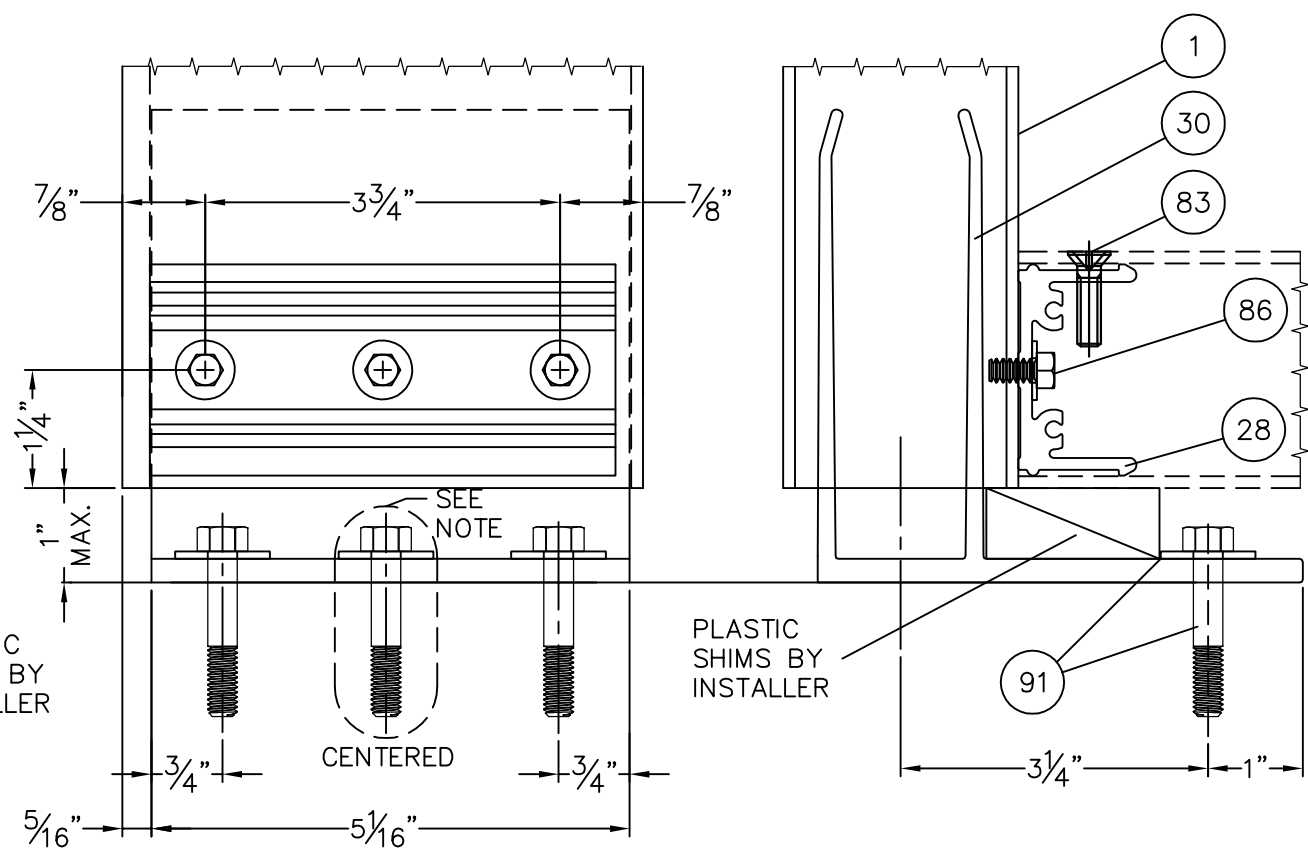


22  
2/26/2015  
LUCAS A. TURNER, P.E.  
FL PE # 58201  
TURNER ENGINEERING &  
CONSULTING, INC.  
(COA # 29779)  
1239 JABARA AVE.  
NORTH PORT, FL 34288

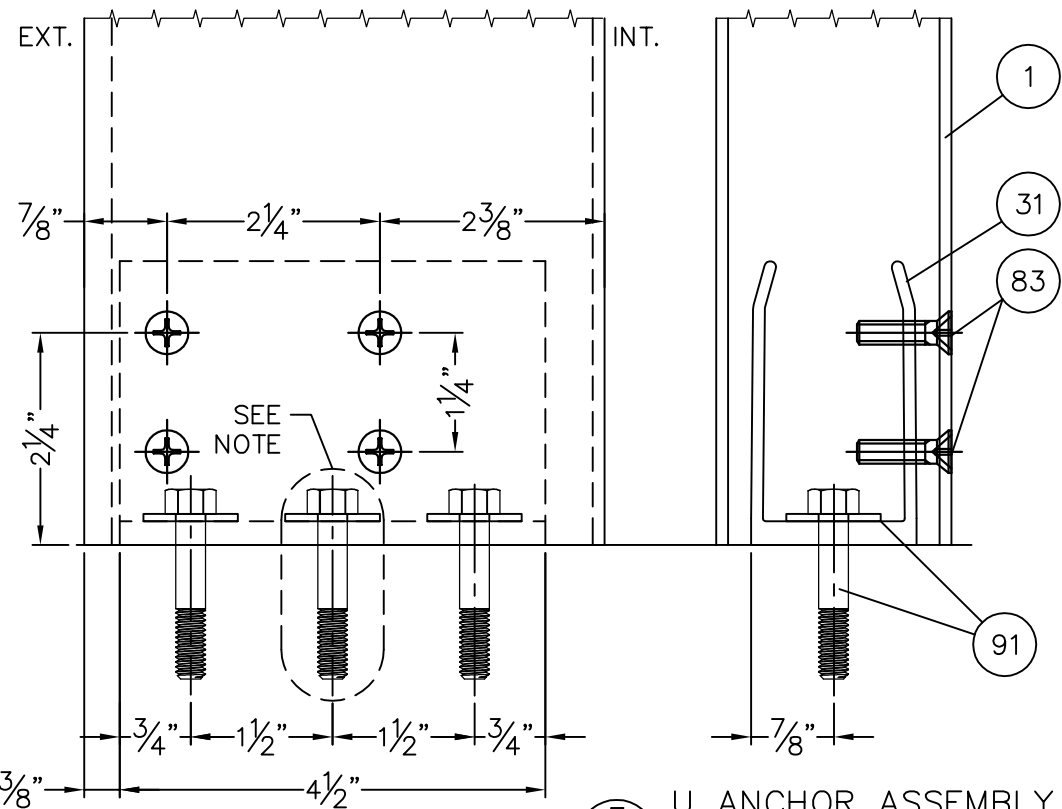




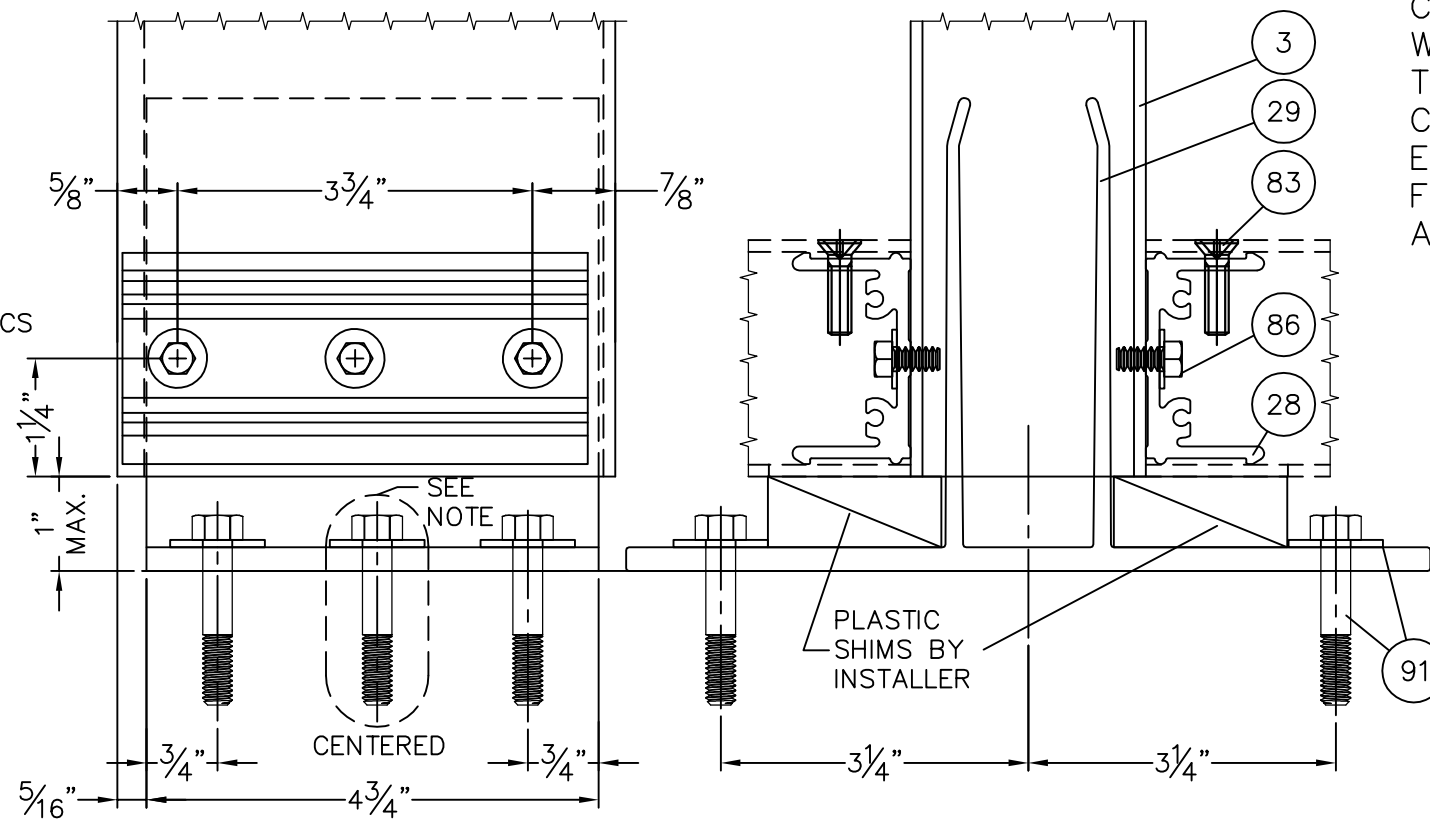
1/9 F ANCHOR AND SHEAR BLOCK CLIP ASSEMBLY & INSTALLATION @ DOOR MULL SILL ONLY



2/9 F ANCHOR AND SHEAR BLOCK CLIP ASSEMBLY & INSTALLATION @ JAMB MULL (HEAD AND SILL SIMILAR)

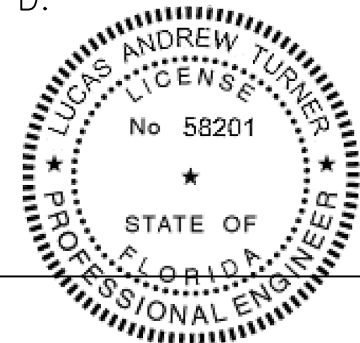


3/9 U ANCHOR ASSEMBLY & INSTALLATION @ DOOR JAMB ONLY



4/9 T ANCHOR AND SHEAR BLOCK CLIP ASSEMBLY & INSTALLATION @ TYP STRUCTURAL MULL (HEAD AND SILL SIM.)

NOTE: DO NOT INSTALL CIRCLED ANCHORS WHEN USING ANCHOR TYPES A OR B IN CONCRETE, SEE TABLE E, SHT 2. INSTALL FOR ANCHOR TYPES C AND D.



2/26/2015  
 LUCAS A. TURNER, P.E.  
 FL PE # 58201  
 TURNER ENGINEERING & CONSULTING, INC.  
 (COA # 29779)  
 1239 JABARA AVE.  
 NORTH PORT, FL 34288

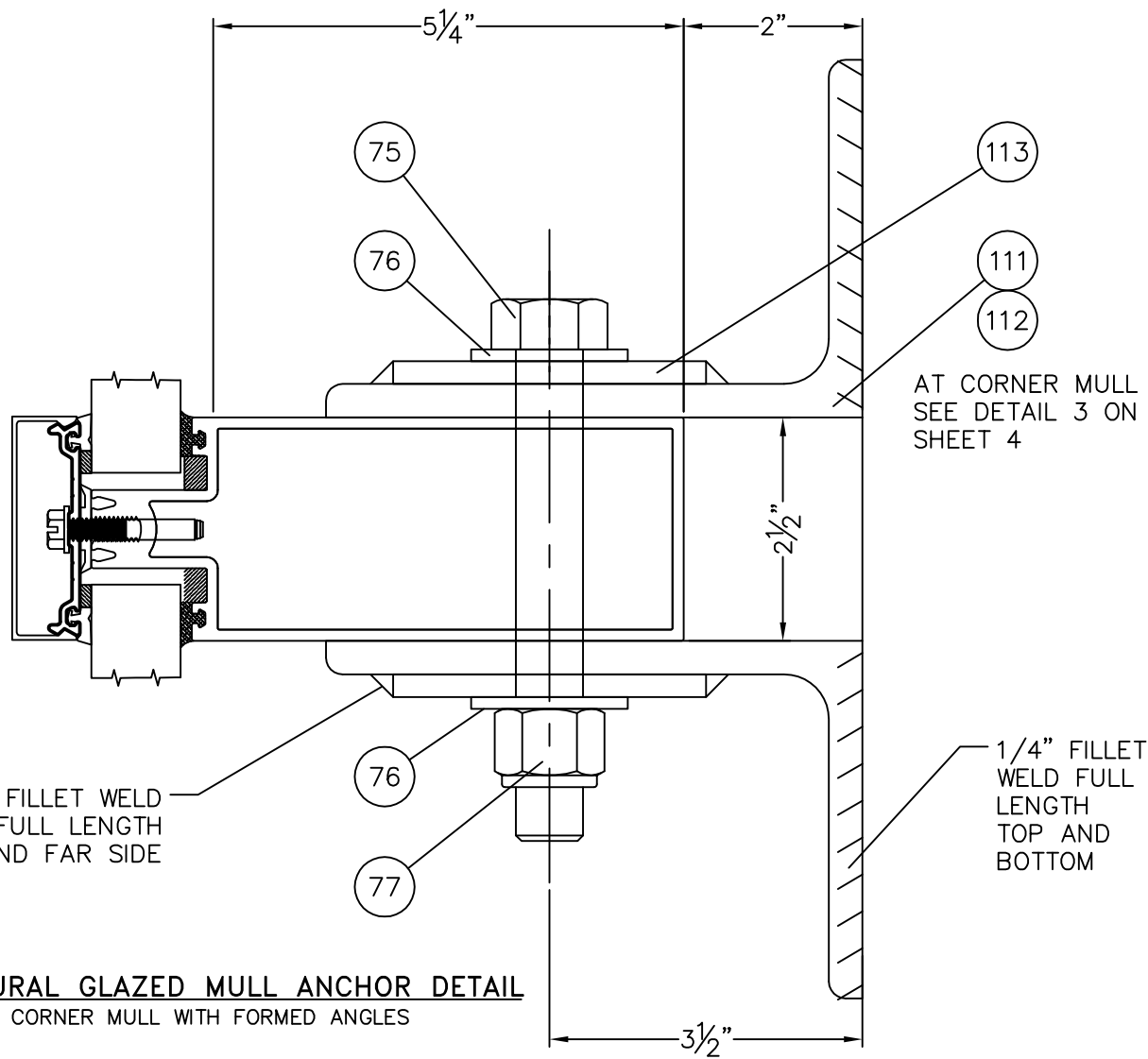
**TUBELITE**  
 DEPENDABLE  
 LEADERS IN ECO-EFFICIENT STOREFRONT CURTAINWALL AND ENTRANCE SYSTEMS

**TUBELITE**  
 CW 400 CAPTURED  
 NON-IMPACT  
 CURTAIN WALL SYSTEM

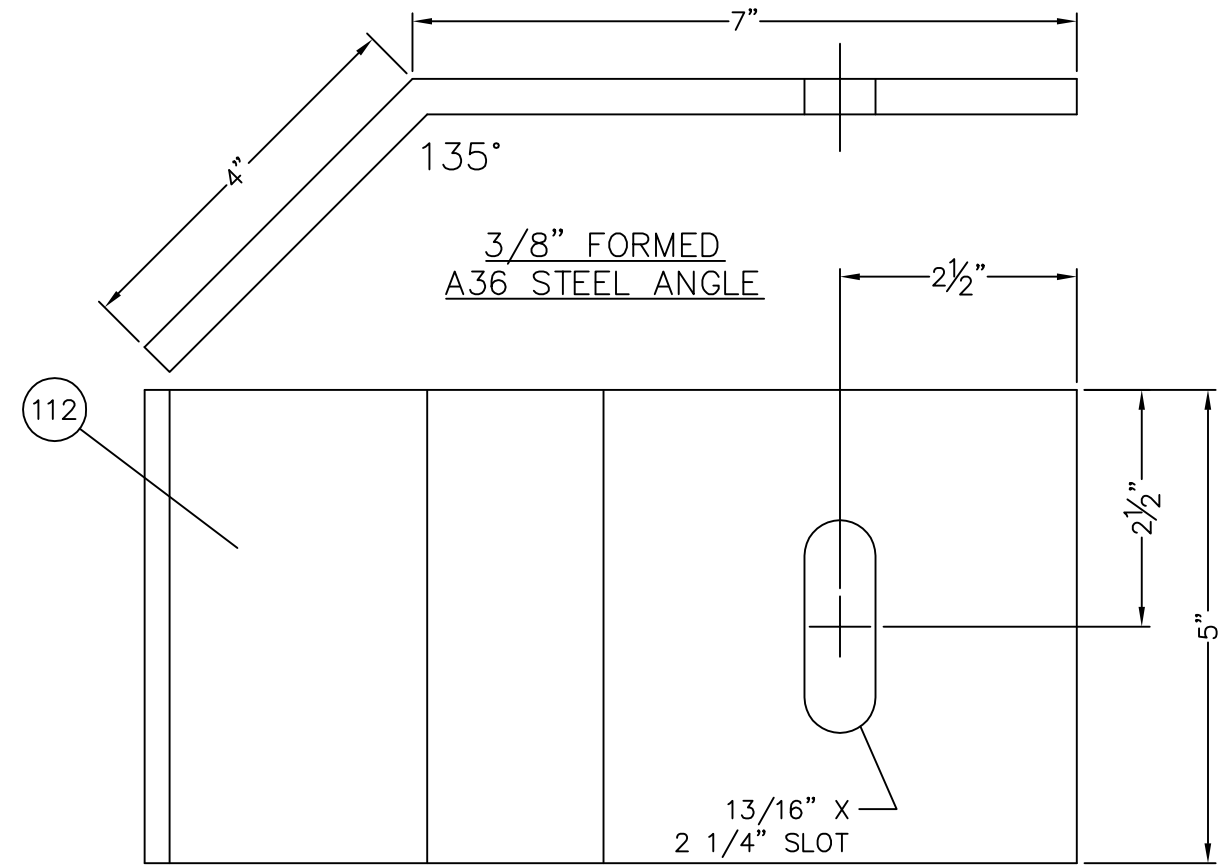
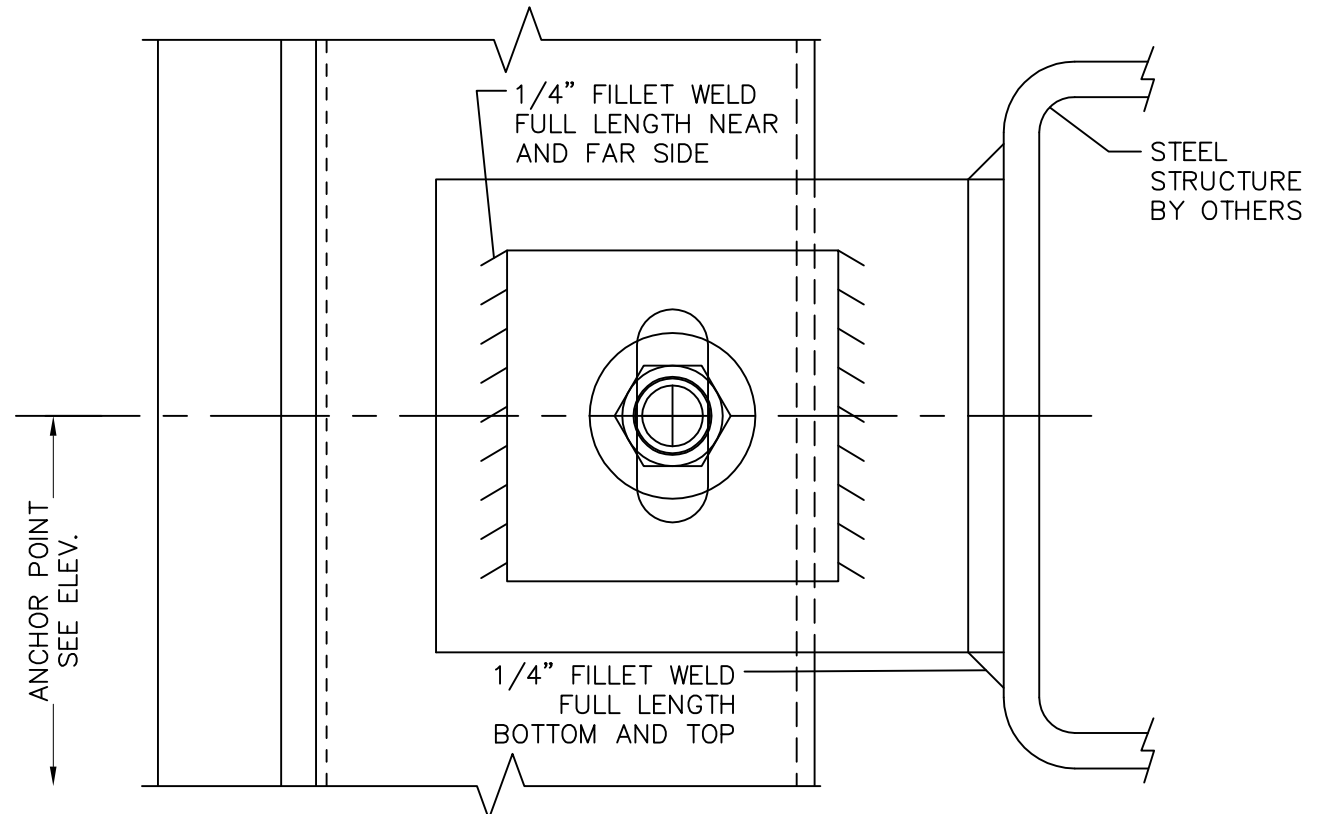
3056 WALKER RIDGE DRIVE N.W.  
 WALKER, MICHIGAN 49544  
 PH: 800.566.2227  
 FX: 616.301.0099  
 WEB SITE: WWW.TUBELITEINC.COM

REVISION HISTORY:	
REV	DESCRIPTION
O	ORIGINAL RELEASE
A	ANCHOR REVISIONS

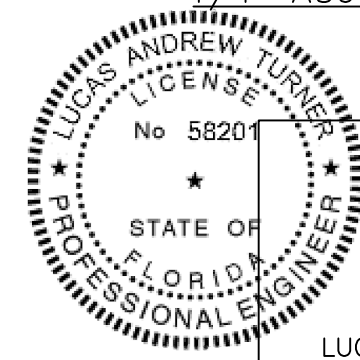
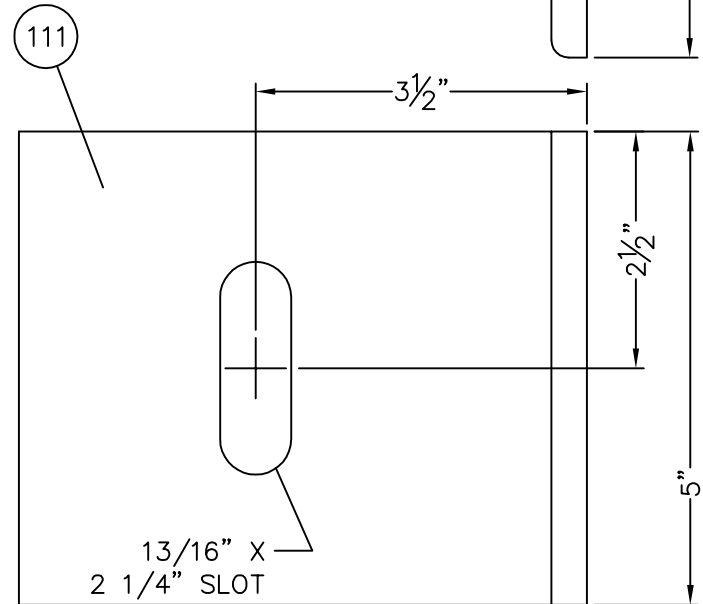
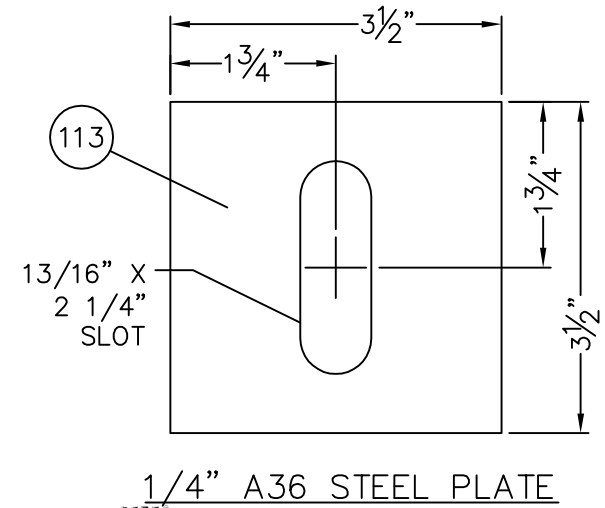
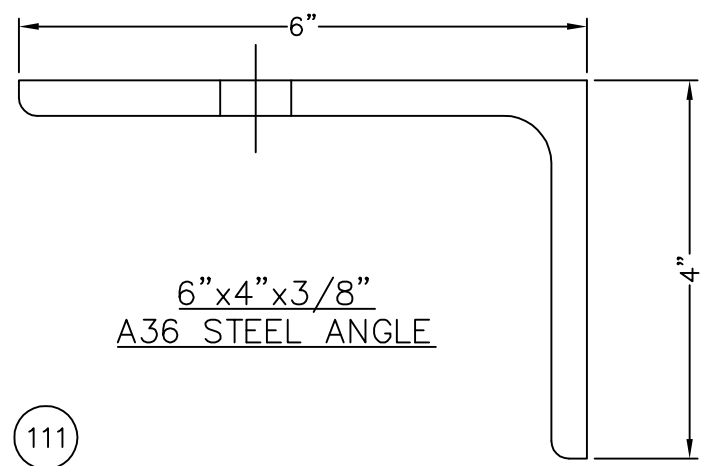
DATE: 05.07.14  
 DRAWING NUMBER: FPA-400-CAP-NI  
 DRAWN: [blank]  
 FINAL REVIEW: [blank]  
 SCALE: N.T.S.  
 REVISION: A  
 SHEET NAME: ANCHOR DETAILS  
 SHEET: 9 OF 14



**1** STRUCTURAL GLAZED MULL ANCHOR DETAIL  
 10 SIMILAR AT CORNER MULL WITH FORMED ANGLES



STEEL ANCHOR PARTS BY OTHERS



2/26/2015  
 LUCAS A. TURNER, P.E.  
 FL PE # 58201  
 TURNER ENGINEERING &  
 CONSULTING, INC.  
 (COA # 29779)  
 1239 JABARA AVE.  
 NORTH PORT, FL 34288

TUBELITE  
 CW 400 CAPTURED  
 NON-IMPACT  
 CURTAIN WALL SYSTEM

TUBELITE  
 DEPENDABLE  
 LEADERS IN ECO-EFFICIENT STOREFRONT  
 CURTAINWALL AND ENTRANCE SYSTEMS

3056 WALKER RIDGE DRIVE N.W.  
 WALKER, MICHIGAN 49544  
 PH: 800.566.2227  
 FX: 616.301.0097  
 WEB SITE: WWW.TUBELITEINC.COM

REVISION HISTORY:

REV	DATE	DESCRIPTION
0	5.7.14	ORIGINAL RELEASE
A	2.26.15	ANCHOR REVISIONS

DATE: 05.07.14  
 DRAWING NUMBER: FPA-400-CAP-NI  
 DRAWN:  
 FINAL REVIEW:  
 SCALE: N.T.S.  
 REVISION: A

SHEET NAME: ANCHOR DETAILS  
 SHEET: 10 OF 14

**TUBELITE  
CW 400 CAPTURED  
NON-IMPACT  
CURTAIN WALL SYSTEM**

3056 WALKER RIDGE DRIVE N.W.  
WALKER, MICHIGAN 49544  
PH: 800.566.2227  
FX: 616.301.0095  
WEB SITE: WWW.TUBELITEINC.COM

**TUBELITE**  
DEPENDABLE  
LEADERS IN ECO-EFFICIENT STOREFRONT  
CURTAINWALL AND ENTRANCE SYSTEMS

REVISION HISTORY:

REV	DATE	DESCRIPTION
0	5.7.14	ORIGINAL RELEASE
A	2.26.15	ANCHOR REVISIONS

DATE: 05.07.14

DRAWING NUMBER: FPA-400-CAP-NI

DRAWN:

FINAL REVIEW:

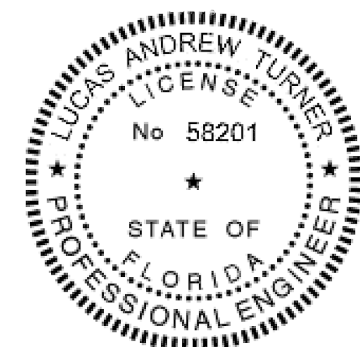
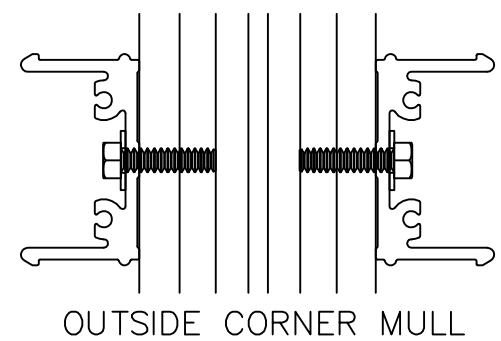
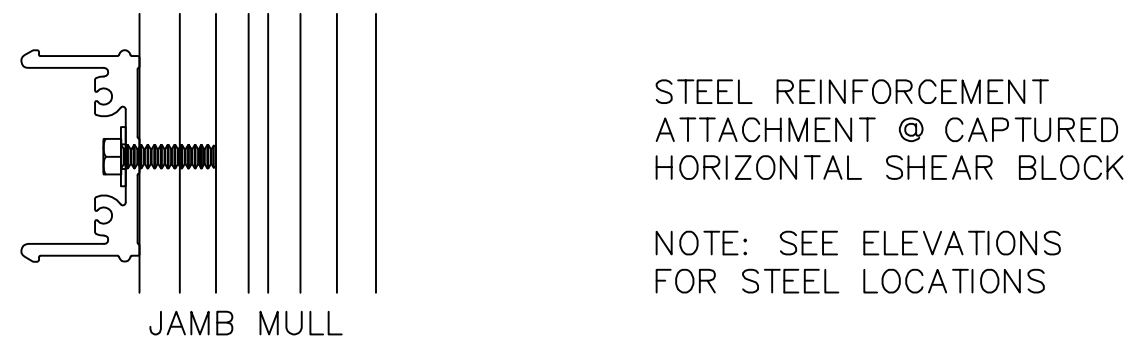
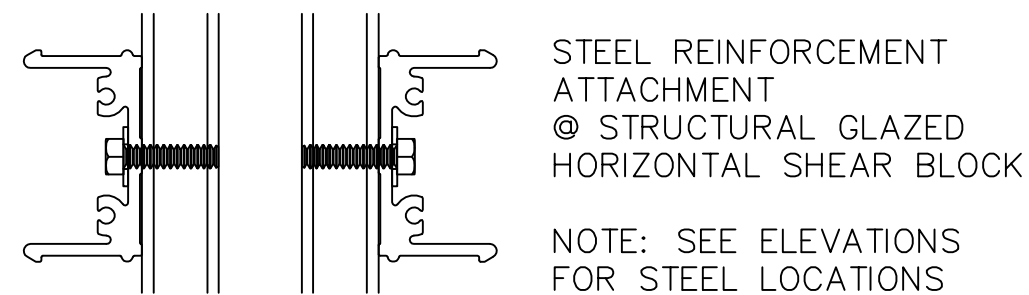
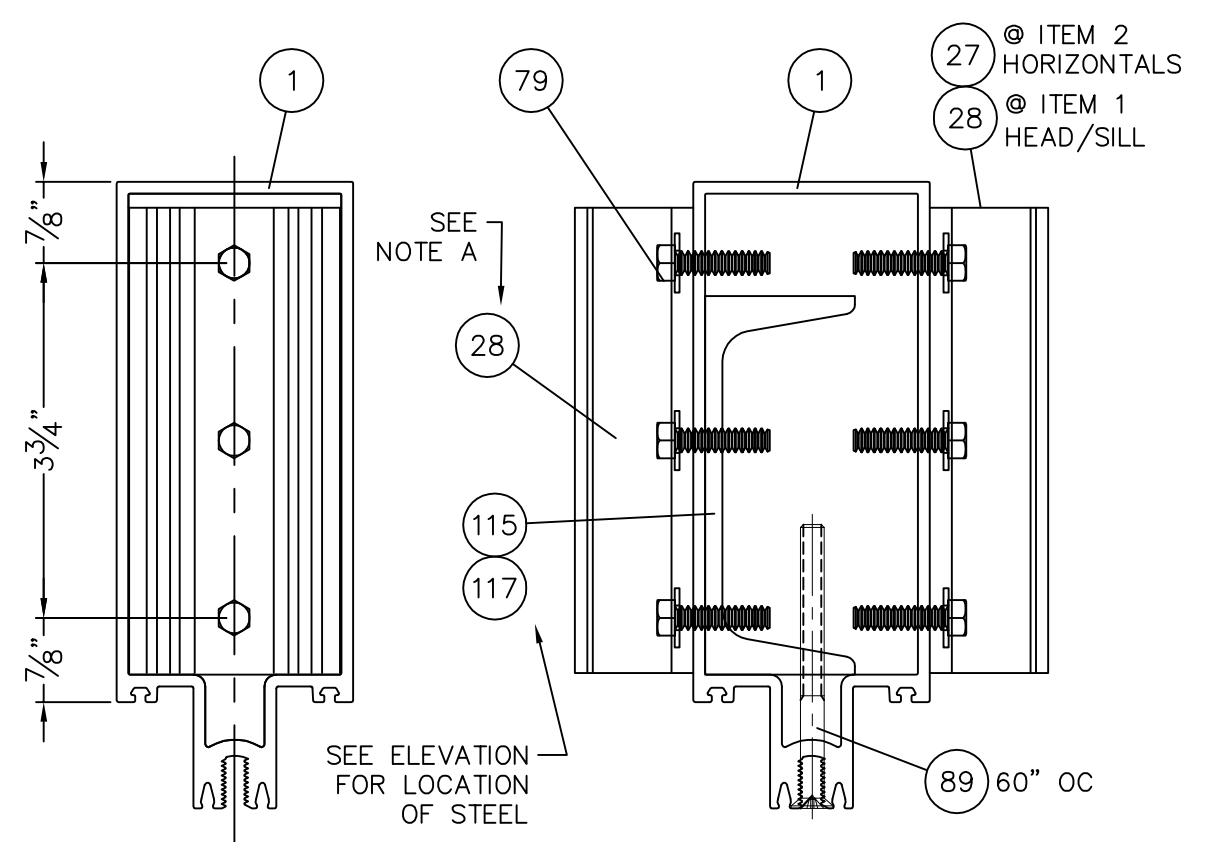
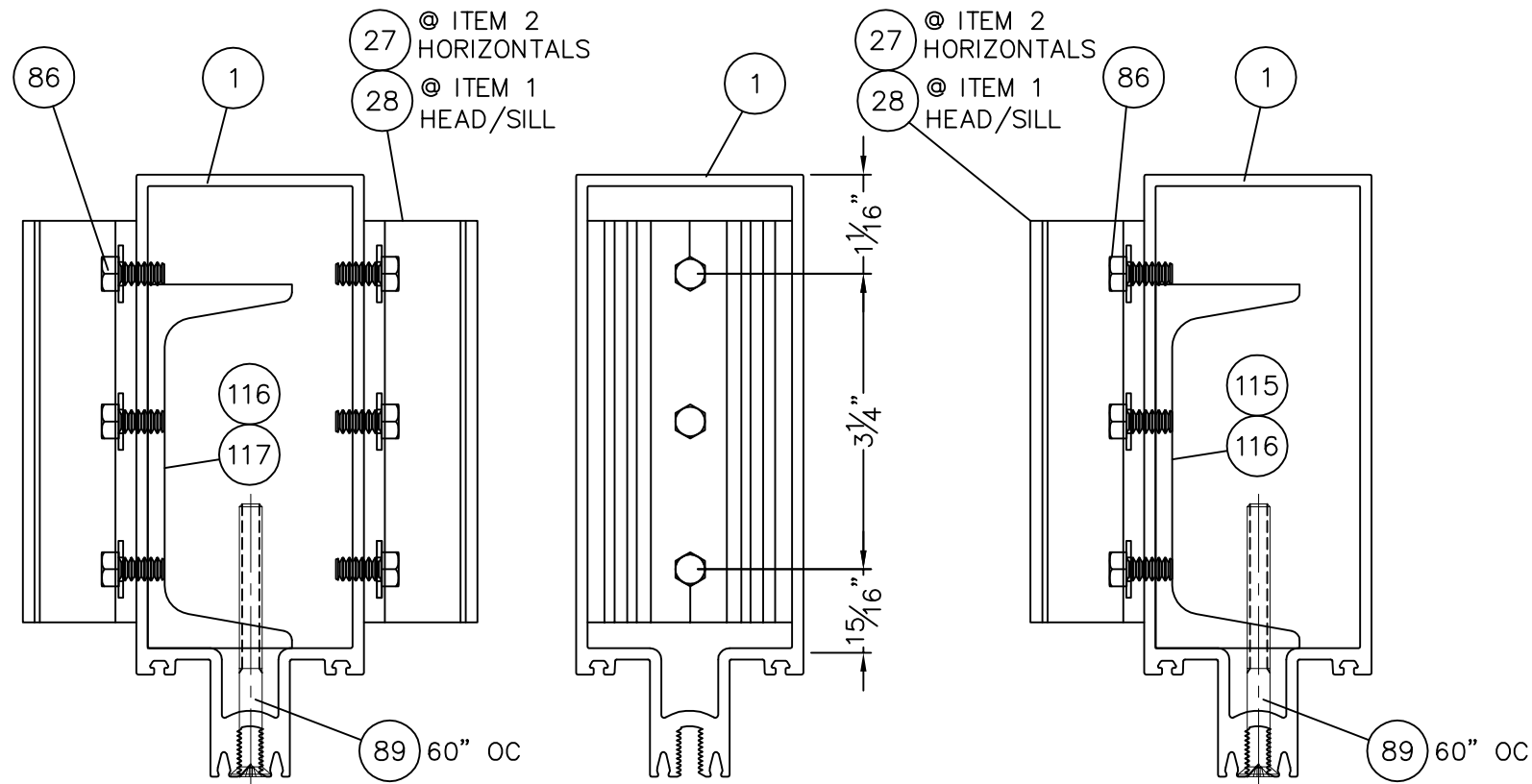
SCALE: N.T.S.

REVISION: A

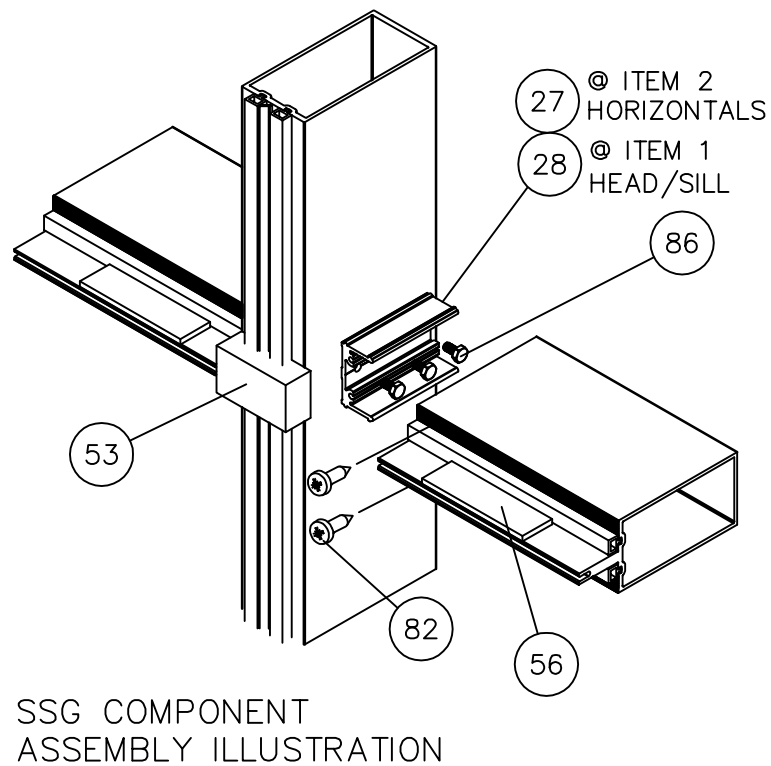
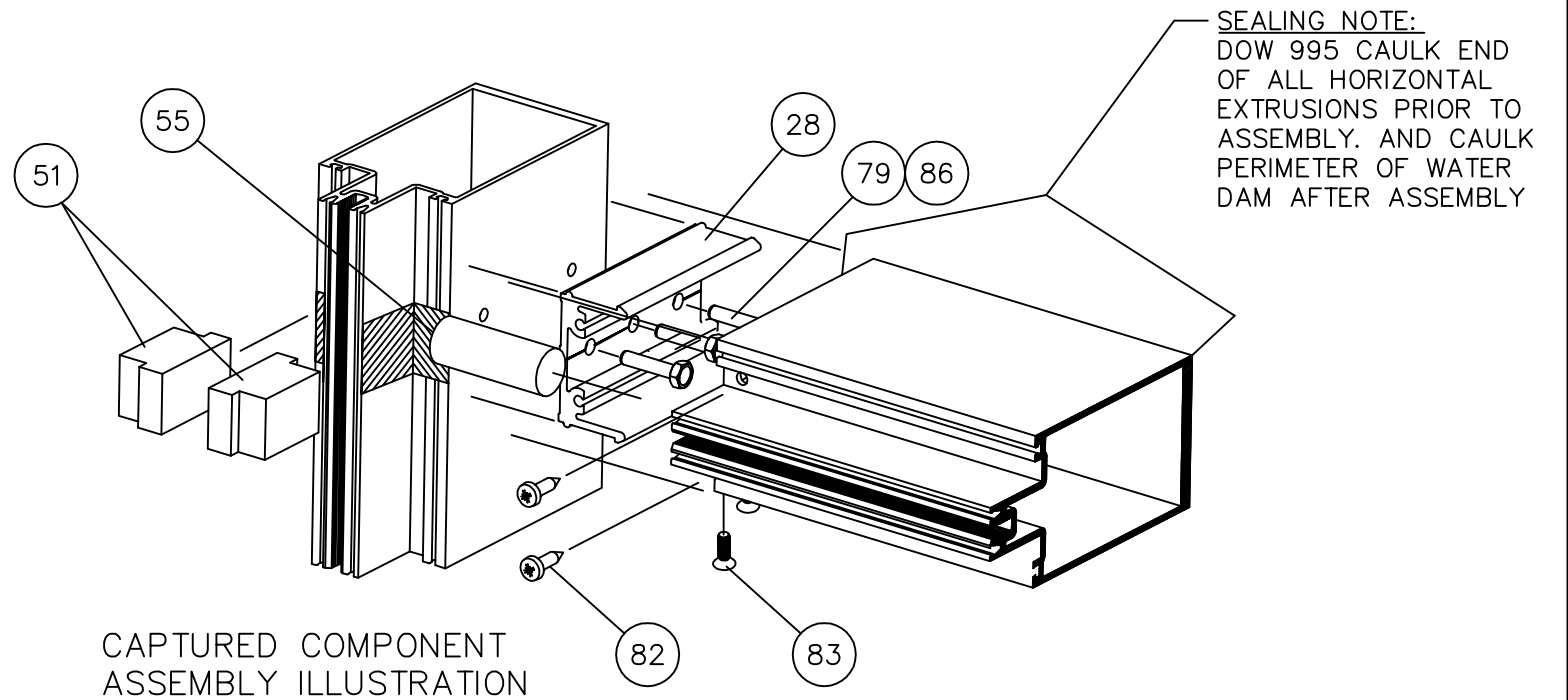
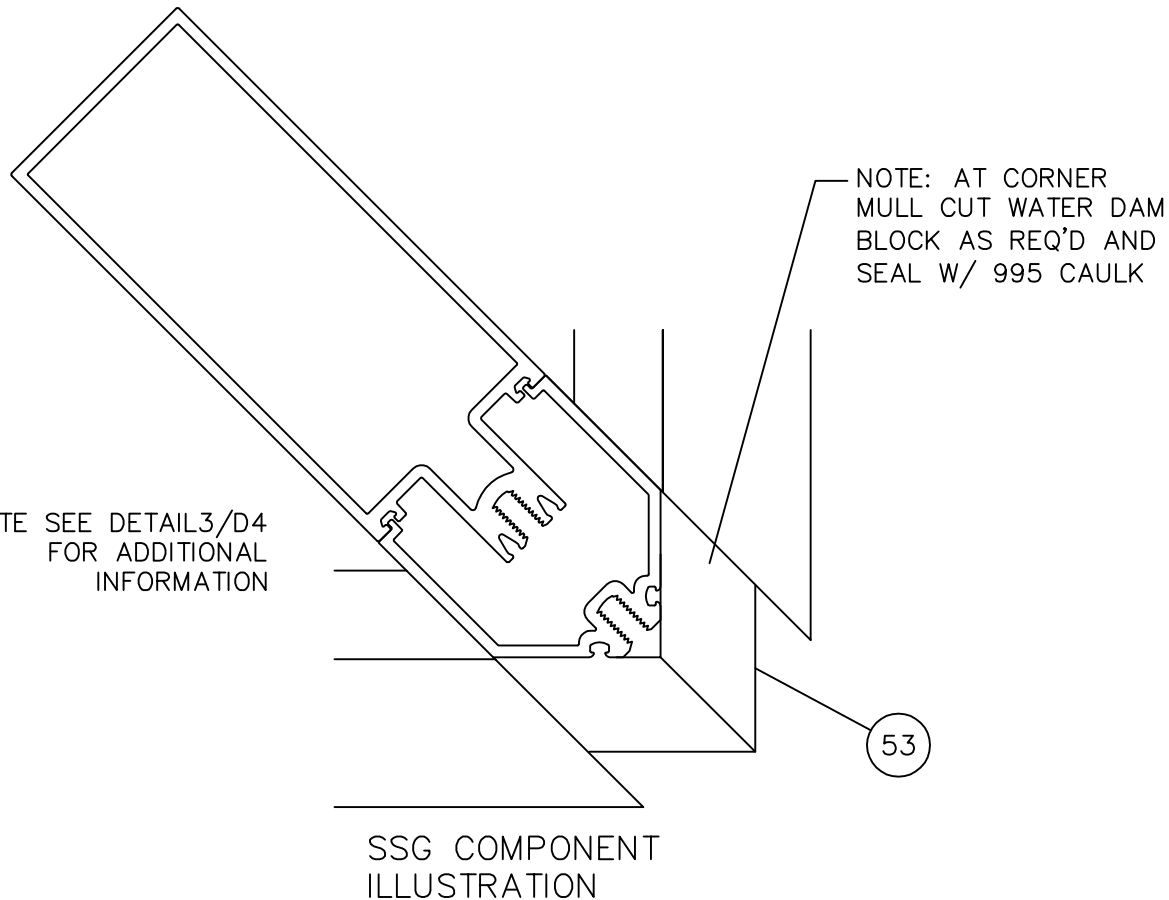
SHEET NAME:

ASSEMBLY DETAILS

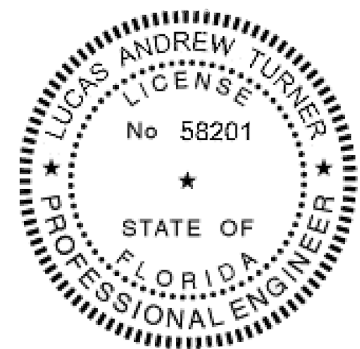
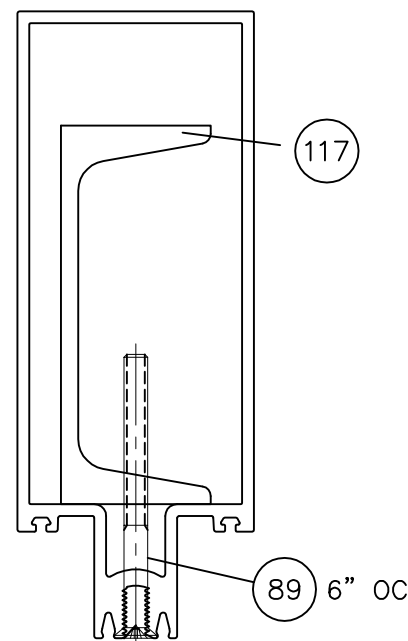
SHEET: 11 OF 14



2/26/2015  
LUCAS A. TURNER, P.E.  
FL PE # 58201  
TURNER ENGINEERING & CONSULTING, INC.  
(COA # 29779)  
1239 JABARA AVE.  
NORTH PORT, FL 34288



STEEL REINFORCEMENT ATTACHMENT @ ITEM 117 (24" LG CHANNEL)



DATE: 05.07.14  
DRAWING NUMBER: FPA-400-CAP-NI  
DRAWN:  
FINAL REVIEW:  
SCALE: N.T.S.  
REVISION: A  
SHEET NAME: ASSEMBLY DETAILS  
SHEET: 12 OF 14

2/26/2015  
LUCAS A. TURNER, P.E.  
FL PE # 58201  
TURNER ENGINEERING & CONSULTING, INC.  
(COA # 29779)  
1239 JABARA AVE.  
NORTH PORT, FL 34288

TUBELITE  
CW 400 CAPTURED  
NON-IMPACT  
CURTAIN WALL SYSTEM

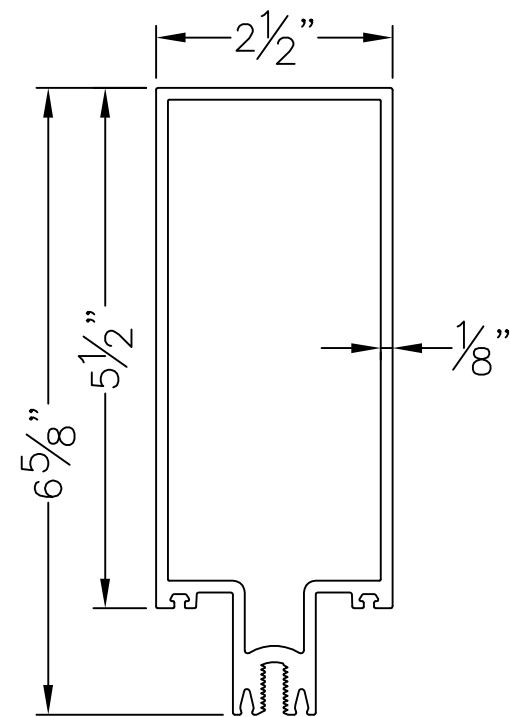
3056 WALKER RIDGE DRIVE N.W.  
WALKER, MICHIGAN 49544  
PH: 800.566.2227  
FX: 616.301.0059  
WEB SITE: WWW.TUBELITEINC.COM

**TUBELITE**  
DEPENDABLE  
LEADERS IN ECO-EFFICIENT STOREFRONT  
CURTAINWALL AND ENTRANCE SYSTEMS

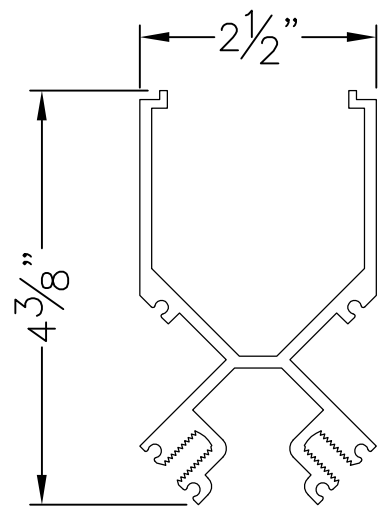
REVISION HISTORY:

REV	DATE	DESCRIPTION
0	5.7.14	ORIGINAL RELEASE
A	2.26.15	ANCHOR REVISIONS

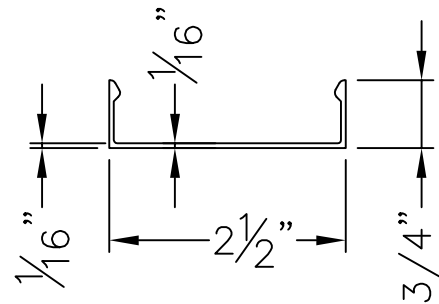




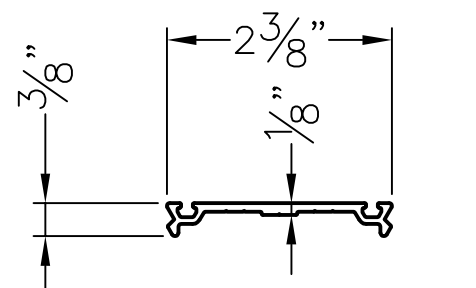
ITEM 1 - E55TB02FS  
CURTAINWALL TUBE



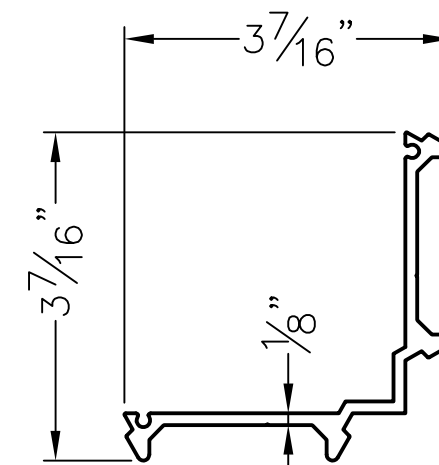
ITEM 5 - E5TB110FS  
OUTSIDE CORNER  
CAPTURED  
CURTAINWALL ADAPTOR



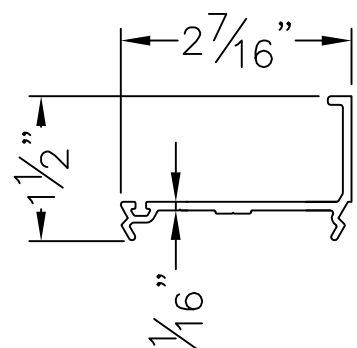
ITEM 6 - E4TB64FS  
COVER, FACE  
2-1/2 X 3/4



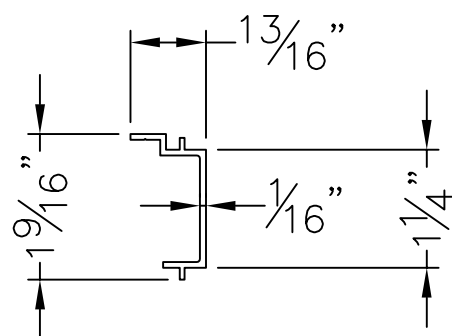
ITEM 8 - M4TB224  
PRESSURE PLATE (1")



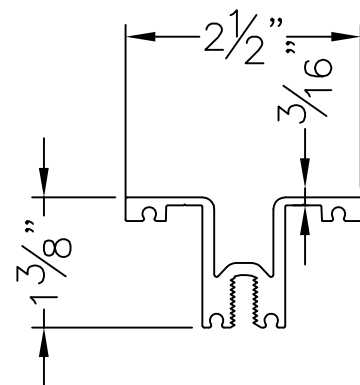
ITEM 9 - E5TB111  
PRESSURE PLATE  
CORNER (1")



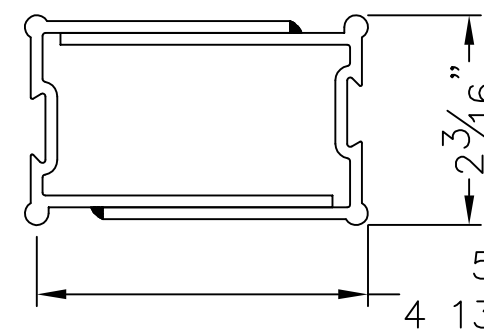
ITEM 10 - M4TB225  
CURTAINWALL FILLER -  
PRESSURE PLATE (1")



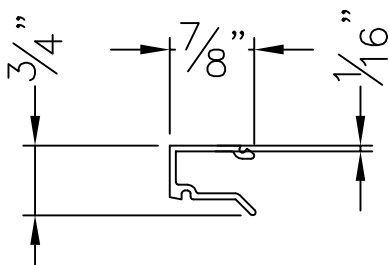
ITEM 13 - E3192  
GLAZING POCKET  
CLOSURE (1")



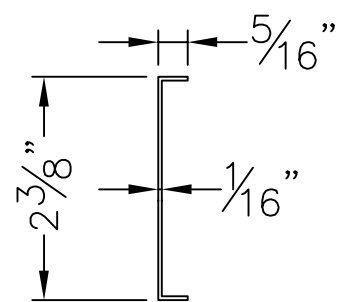
ITEM 16 -  
E4TB170FS SCREW  
APPLIED HORN



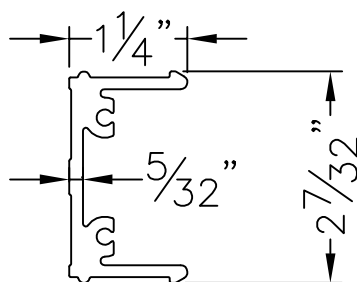
ITEM 23 & 24  
P1627D ~ USE WITH ITEM 1  
P1627J ~ USE WITH ITEM 3  
MULL SPLICE 10" LG



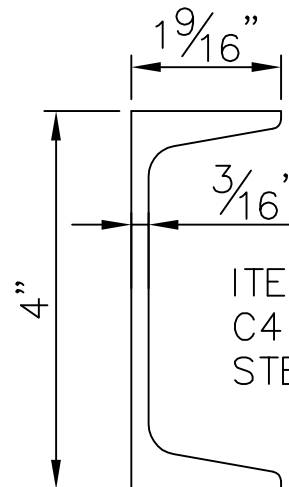
ITEM 25 - P1631  
FILLER 10" LG



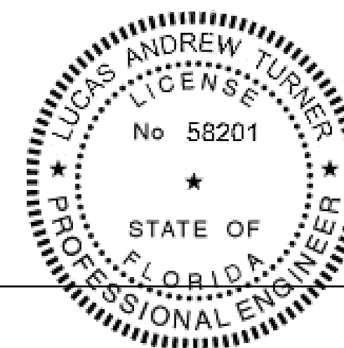
ITEM 26 - P1628B  
FACE COVER SPLICE  
SLEEVE 4" LG



E4TB113 - EXTRUSION  
ITEM 27 - PTB59  
ITEM 28 - PTB60  
SHEAR BLOCK CLIP



ITEM 115-118  
C4 X 5.4 A36  
STEEL CHANNEL



2/26/2015  
LUCAS A. TURNER, P.E.  
FL PE # 58201  
TURNER ENGINEERING &  
CONSULTING, INC.  
(COA # 29779)  
1239 JABARA AVE.  
NORTH PORT, FL 34288

TUBELITE  
CW 400 CAPTURED  
NON-IMPACT  
CURTAIN WALL SYSTEM

3056 WALKER RIDGE DRIVE N.W.  
WALKER, MICHIGAN 49544  
PH: 800.566.2227  
FX: 616.301.0097  
WEB SITE: WWW.TUBELITEINC.COM

**TUBELITE**  
DEPENDABLE  
LEADERS IN ECO-EFFICIENT STOREFRONT  
CURTAINWALL AND ENTRANCE SYSTEMS

REVISION HISTORY:

REV	DATE	DESCRIPTION
0	5.7.14	ORIGINAL RELEASE
A	2.26.15	ANCHOR REVISIONS

DATE: 05.07.14

DRAWING NUMBER:  
FPA-400-CAP-NI

DRAWN:

FINAL REVIEW:

SCALE: N.T.S.

REVISION: A

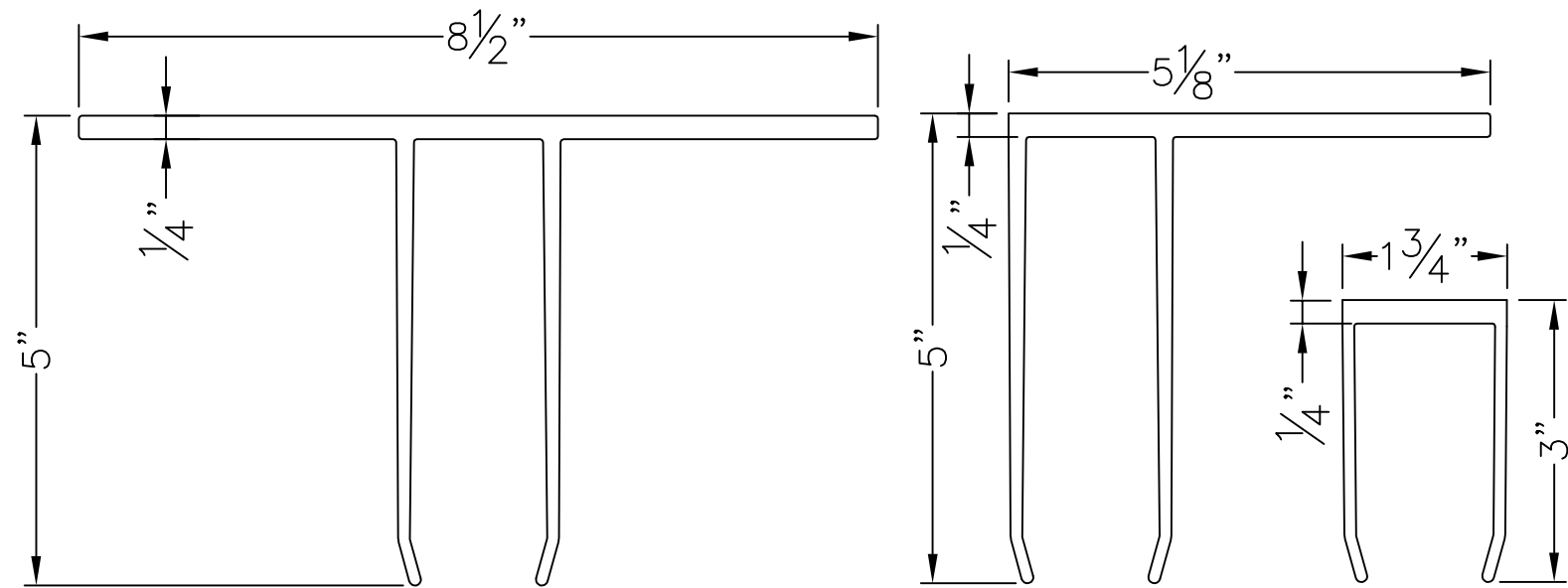
SHEET NAME:  
PART DRAWINGS

SHEET: 13 OF 14

CW 400 CAPTURED NON-IMPACT – PARTS LIST

ITEM	PART NUMBER	DESCRIPTION	MATERIAL
1	E55TB02FS	EXTRUSION, TUBE, NON-THERMAL	ALUMINUM – 6063-T6
5	E5TB110FS	EXTRUSION, OUTSIDE CAPTURED CORNER	ALUMINUM – 6063-T5
6	E4TB64FS	EXTRUSION, COVER, FACE, 2-1/2 X 3/4	ALUMINUM – 6063-T5
8	M4TB224	EXTRUSION, PRESSURE PLATE (1")	ALUMINUM – 6063-T5
9	E5TB111	EXTRUSION, OUTSIDE CORNER PRESS. PL (1")	ALUMINUM – 6063-T5
10	M4TB225	EXTRUSION, FILLER-PRESSURE PLATE (1")	ALUMINUM – 6063-T5
13	E3192	EXTRUSION, GLAZING POCKET FILLER (1")	ALUMINUM – 6063-T5
16	E4TB170FS	EXTRUSION, SCREW APPLIED HORN	ALUMINUM – 6063-T5
23	P1627D	MULL SPLICE FOR ITEM 1	ALUMINUM – 6063-T5
24	P1627J	MULL SPLICE FOR ITEM 3	ALUMINUM – 6063-T5
25	P1631	MULL SPLICE FILLER FOR ITEM 1	ALUMINUM – 6063-T5
26	P1628B	FACE COVER SPLICE SLEEVE	ALUMINUM – 6063-T5
27	PTB59F	SHEAR BLOCK	ALUMINUM – 6063-T5
28	PTB60F	SHEAR BLOCK	ALUMINUM – 6063-T5
29	PTB21A/B	ANCHOR, 'T' CUT & PRE-DRILLED. LG P/N A=4.761", B=5.053"	ALUMINUM – 6063-T6
30	PTB20A/B	ANCHOR, 'F' CUT & PRE-DRILLED. LG P/N A=4.761", B=5.053"	ALUMINUM – 6063-T6
31	PTB22	ANCHOR, 'U' CUT & PRE-DRILLED	ALUMINUM – 6063-T6
47	PTB42	WEEP BAFFLE	P-PART – FOAM
48	PTB94	GASKET, THERMAL BARRIER, EPG (PRESSURE PLATE)	P-PART – RUBBER
49	PTB28	GLAZING, FIXED, 1/8 THICK (CW)	P-PART – RUBBER
50	PTB75	GASKET, STRUCTURAL GLAZING	P-PART – RUBBER
51	PTB93	WATER DAM SINGLE POCKET	P-PART – RUBBER
53	PTB76A	WATER DAM 1"	P-PART – RUBBER
55	P1094	ROD, ETHAFOAM 3/4" DIA X 2" LONG	P-PART – FOAM
56	P6550	BLOCK, SETTING, 3/16" x 1" x 4" LG	P-PART – SILICONE
57	P6551	GLAZING TAPE 1/4 x 3/8 (THERMALBOND V2100 OR V2200)	P-PART – FOAM
58	P6552	GLAZING TAPE 1/8 x 1/4 (THERMALBOND V2100 OR V2200)	P-PART – FOAM
59	BY OTHERS	TWO FACE TAPE	P-PART – FOAM
61	TREMCO SGT 922	GLAZING TAPE 1/4 x 3/8	P-PART – FOAM
62	TREMCO SGT 922	GLAZING TAPE 1/8 x 1/4	P-PART – FOAM
75	BY OTHERS	BOLT, 3/4-10 X 5 1/4 HEX HEAD CLASS 2A	P-PART – FASTENER
76	BY OTHERS	3/4 FLAT WASHER	P-PART – FASTENER
77	BY OTHERS	3/4-10 HEX HEAD NYLOCK NUT	P-PART – FASTENER
78	S207	SCREW, 10-24 X 1 1/4 FLAT HEAD PHIL	P-PART – FASTENER
79	S328	SCREW, 1/4-20 X 1 HEX HEAD TYPE D (shear block)	P-PART – FASTENER
82	S270	SCREW, 10-24 X 3/4 PAN HEAD PHIL, SS (shear block)	P-PART – FASTENER
83	S6505	SCREW, 1/4-20 X 3/4 FLAT HEAD CLASS 2A (shear blk & mull splice)	P-PART – FASTENER
84	S359	SCREW, 1/4-20 1-1/2 HEX HD TYPE F (pres plate)	P-PART – FASTENER
85	S191	SCREW, 10-24 X 1/2 TRUSS HEAD PHIL (horiz mull & dr stop)	P-PART – FASTENER
86	S139	SCREW, 1/4-20 X 1/2 HEX HEAD TYPE B (shear blk & subframe no shim)	P-PART – FASTENER
87	S369	SCREW, 1/4-20 3/4 HEX HD TYPE CA (pres plate & subframe w/ shim)	P-PART – FASTENER
88	S131	SCREW, 8-32 5/16 FLAT HEAD PHIL (lock face plate)	P-PART – FASTENER
89	S155	SCREW, 1/4-20 X 3" FLAT HEAD PHIL (reinforcing steel)	P-PART – FASTENER
90	S6509	SCREW, 6-32 X 1-1/4 FLAT HEAD CLASS 2A (shear blk & mull splice)	
91	BY OTHERS	INSTALLATION ANCHORS AND WASHERS, SEE TABLE E, SHEET 2	
96	S211	SCREW, 1/4-20 X 2 1/4 PAN HEAD PHIL, SS	P-PART – FASTENER

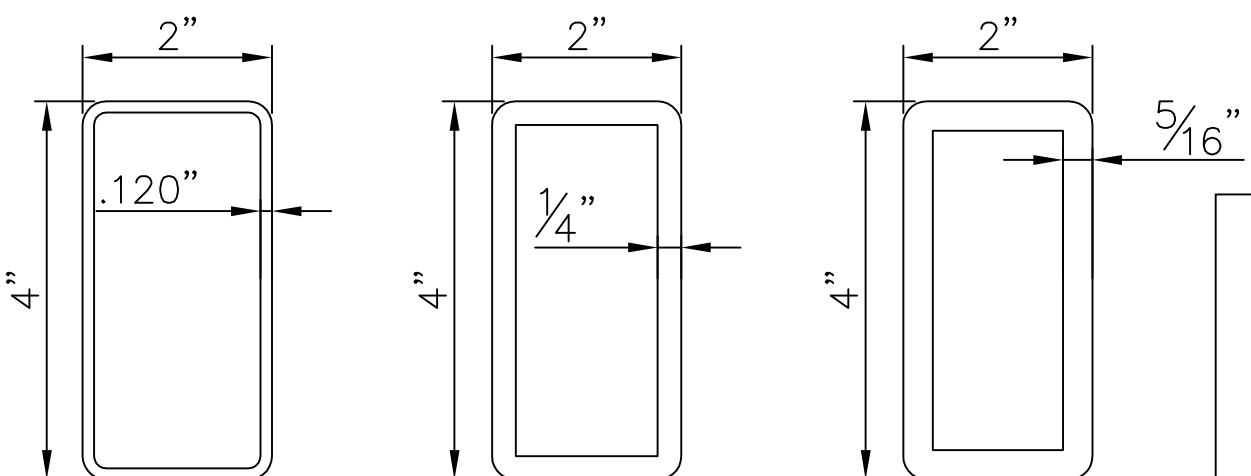
ITEM	PART NUMBER	DESCRIPTION	MATERIAL
99	BY OTHERS	DOW 795 SILICONE BUILDING SEALANT	
100	BY OTHERS	DOW 995 SILICONE SEALANT BLACK – STRUCTURAL GLAZING	
101	BY OTHERS	3/4 Ø BACKER ROD– STRUCTURAL GLAZING	
102	BY OTHERS	1 1/4 Ø BACKER ROD– STRUCTURAL GLAZING	
108	BY OTHERS	A36 STEEL, TUBE, 2"x4"x11 GA (.120) WALL (120" LG)	P6600
109	BY OTHERS	A36 STEEL, TUBE, 2"x4"x1/4" WALL (120" LG)	P6601
110	BY OTHERS	A36 STEEL, TUBE, 2"x4"x5/16" WALL (120" LG)	P6602
111	BY OTHERS	A36 STEEL ANGLE 6"x4"x3/8"	P6603
112	BY OTHERS	A36 FM'D STEEL ANGLE 7"x4"x3/8"	P6604
113	BY OTHERS	A36 STEEL PLATE 3 1/2"x3 1/2"	P6605
115	BY OTHERS	A36 STEEL, CHANNEL C4x5.4 (84" LG)	P6606
116	BY OTHERS	A36 STEEL, CHANNEL C4x5.4 (198" LG)	P6607
117	BY OTHERS	A36 STEEL, CHANNEL C4x5.4 (24" LG)	P6608
118	BY OTHERS	A36 STEEL, CHANNEL C4x5.4 (120" LG)	P6609



ITEM 29 – PTB21  
T ANCHOR

ITEM 30 – PTB20  
F ANCHOR

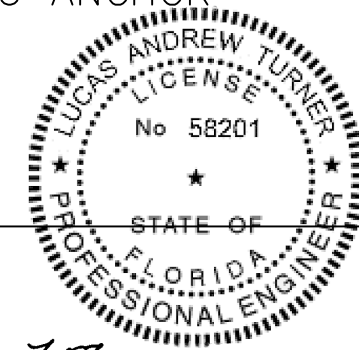
ITEM 31 – PTB22  
U ANCHOR



ITEM 108 P6600  
2"x4"x .120  
A36 STEEL TUBE

ITEM 109 P6601  
2"x4"x 1/4"  
A36 STEEL TUBE

ITEM 110 P6602  
2"x4"x 5/16"  
A36 STEEL TUBE



2/26/2015  
LUCAS A. TURNER, P.E.  
FL PE # 58201  
TURNER ENGINEERING &  
CONSULTING, INC.  
(COA # 29779)  
1239 JABARA AVE.  
NORTH PORT, FL 34288

**TUBELITE**  
DEPENDABLE  
LEADERS IN ECO-EFFICIENT STOREFRONT,  
CURTAINWALL AND ENTRANCE SYSTEMS

**TUBELITE  
CW 400 CAPTURED  
NON-IMPACT  
CURTAIN WALL SYSTEM**

3056 WALKER RIDGE DRIVE N.W.  
WALKER, MICHIGAN 49544  
PH: 800.566.2227  
FX: 616.301.0009  
WEB SITE: WWW.TUBELITEINC.COM

REVISION HISTORY:	
REV	DESCRIPTION
0	ORIGINAL RELEASE
1	ANCHOR REVISIONS
DATE	DRAWN
05.7.14	LT
2.26.15	LT
DATE:	05.07.14
DRAWING NUMBER:	FPA-400-CAP-NI
DRAWN:	
FINAL REVIEW:	
SCALE:	N.T.S.
REVISION:	A
SHEET NAME:	BOM, PART DWGS
SHEET:	14 OF 14