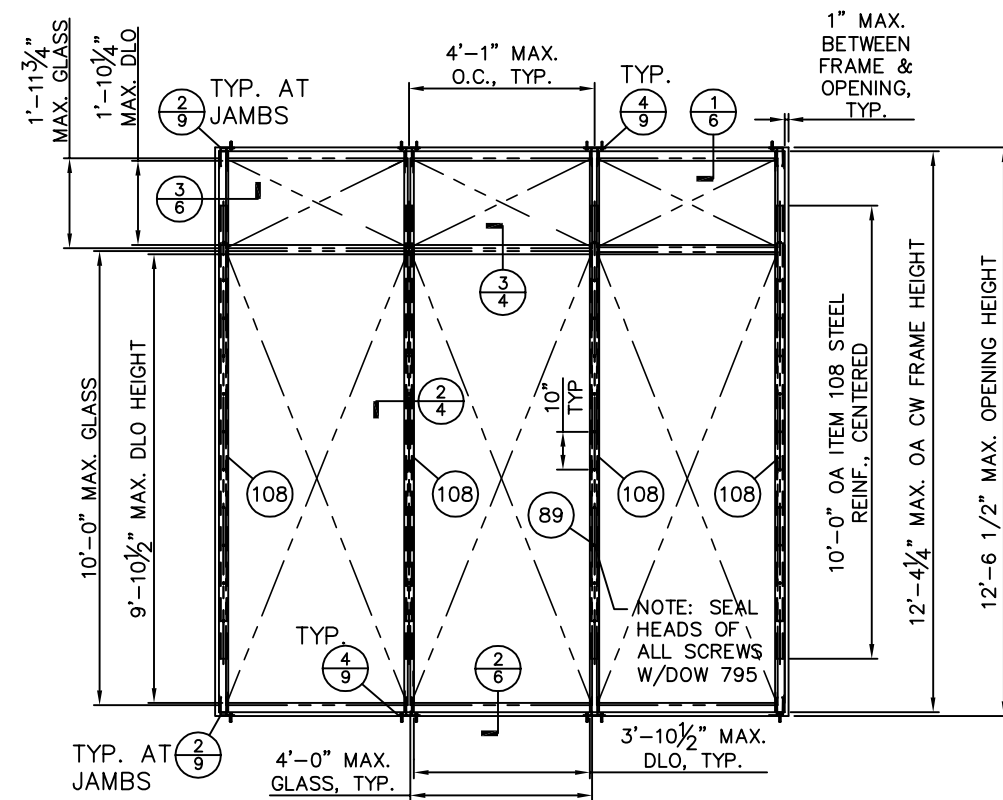


E2 SINGLE-SPAN ELEVATION
2 SEE DP CHART, TABLE B

TABLE B. ELEV. E2/2 DESIGN PRESSURE CHART (PSF)

MAX. GLASS WIDTH	FRAME HEIGHT 112" & Under	
	30" & Under	+/-90
36"	+/-75.8	
42"	+/-65.2	
48"	+/-57.1	



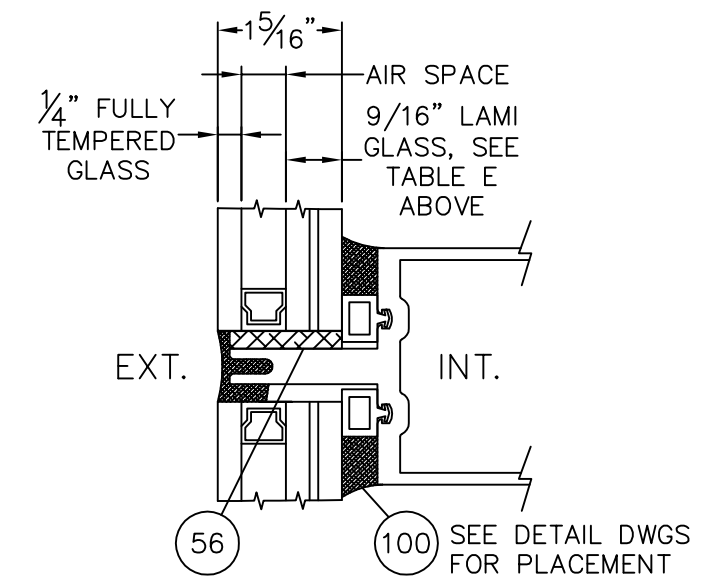
E3 SINGLE-SPAN ELEVATION
2 SEE DP CHART, TABLE C

TABLE C. ELEV. E3/2 DESIGN PRESSURE CHART (PSF)

MAX. GLASS WIDTH	FRAME HEIGHT 148-1/4" & Under	
	32" & Under	+72/-80
36"	+72/-78	
42"	+/-68.5	
48"	+/-60	

TABLE E. QUALIFIED GLAZING TYPES

TYPE	DESCRIPTION
1 DUPONT SENTRY GLASS	1 5/16" THK. INSULATED GLASS LARGE MISSILE I.G. LAMI CONSISTING OF: -1/4" CLEAR, TEMPERED -1/2" AIRSPACE -1/4" CLEAR, HEAT STRENGTHENED -0.090" DUPONT SENTRY GLASS -1/4" CLEAR, HEAT STRENGTHENED
2 EASTMAN SAFLEX CP (FORMERLY SOLUTIA VS-02)	1 5/16" THK. INSULATED GLASS LARGE MISSILE I.G. LAMI CONSISTING OF: -1/4" CLEAR, TEMPERED -1/2" AIRSPACE -1/4" CLEAR, HEAT STRENGTHENED -0.075 EASTMAN SAFLEX CP -1/4" CLEAR, HEAT STRENGTHENED
3 DUPONT 0.060 PVB	1 5/16" THK. INSULATED GLASS SMALL MISSILE I.G. LAMI CONSISTING OF: -1/4" CLEAR, TEMPERED -1/2" AIRSPACE -1/4" CLEAR, HEAT STRENGTHENED -0.060" DUPONT BUTACITE PVB -1/4" CLEAR, HEAT STRENGTHENED

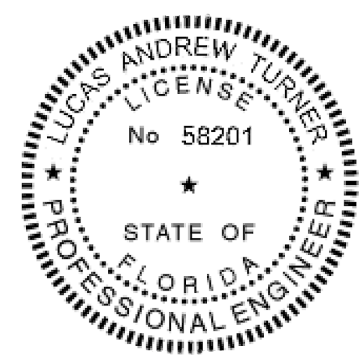


GLAZING DETAIL

TABLE D. QUALIFIED ANCHOR INFORMATION

ID	SUBSTRATE	ANCHOR	MIN. EMBEDMENT	MIN. EDGE DISTANCE
A	SOLID UNCRACKED CONCRETE (3000 PSI MIN)	3/8" HILTI KWIK BOLT 3 CARBON OR STAINLESS STEEL, MAY BE USED ALL LOCATIONS, REQUIRED AT DET. 1/9 FOR CONCRETE INSTALL	2 1/2"	3"
B	SOLID UNCRACKED CONCRETE (3000 PSI MIN)	1/2" ITW RED HEAD LDT CARBON OR STAINLESS STEEL, MAY BE USED ALL LOCATIONS EXCEPT DET. 1/9	3 1/2"	3"
C	SOUTHERN PINE WOOD (G=0.55 MIN)	3/8" GRADE 5 LAG SCREW, MAY BE USED ALL LOCATIONS EXCEPT DET. 1/9	2 1/2"	1 1/2"
D	SOUTHERN PINE WOOD (G=0.55 MIN)	1/2" GRADE 5 LAG SCREW, MAY BE USED ALL LOCATIONS, REQUIRED AT DET. 1/9 FOR WOOD INSTALL	3"	2"
E	1/4" ALUM. 6063-T5 MIN. OR 1/4" STEEL 36 KSI MIN.	3/8-16 GRADE 5 SHEET METAL SCREW	SEE NOTE	3/4"

NOTE: ANCHORS THROUGH METAL SHALL BE OF SUFFICIENT LENGTH TO PROVIDE THREAD ENGAGEMENT THROUGH THE FULL METAL THICKNESS



27
2/26/2015
LUCAS A. TURNER, P.E.
FL PE # 58201
TURNER ENGINEERING & CONSULTING, INC.
(COA # 29779)
1239 JABARA AVE.
NORTH PORT, FL 34288

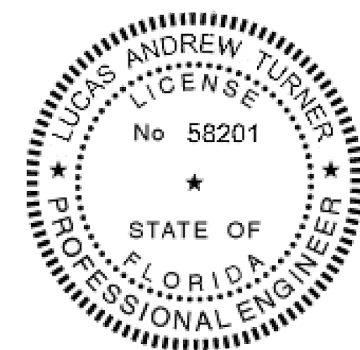
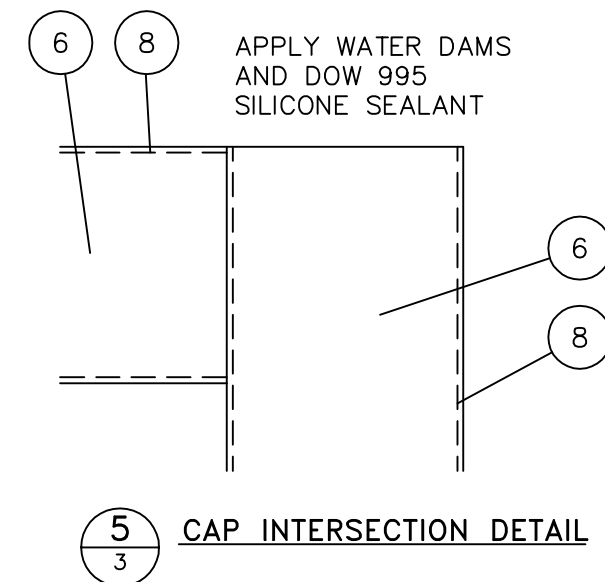
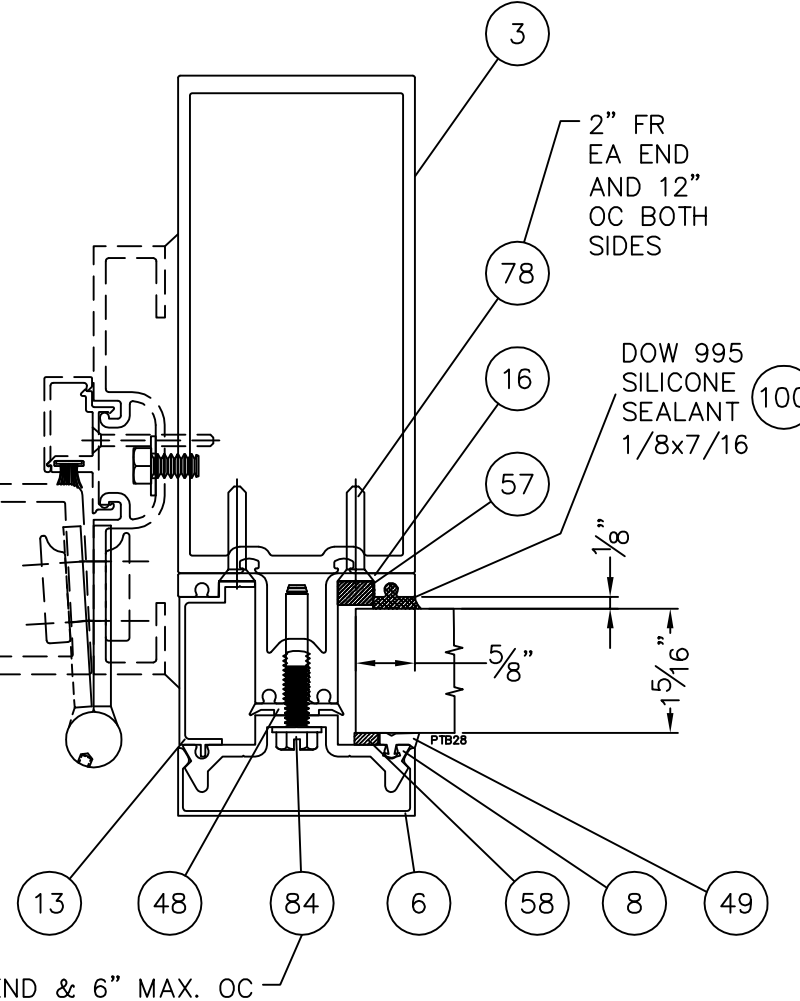
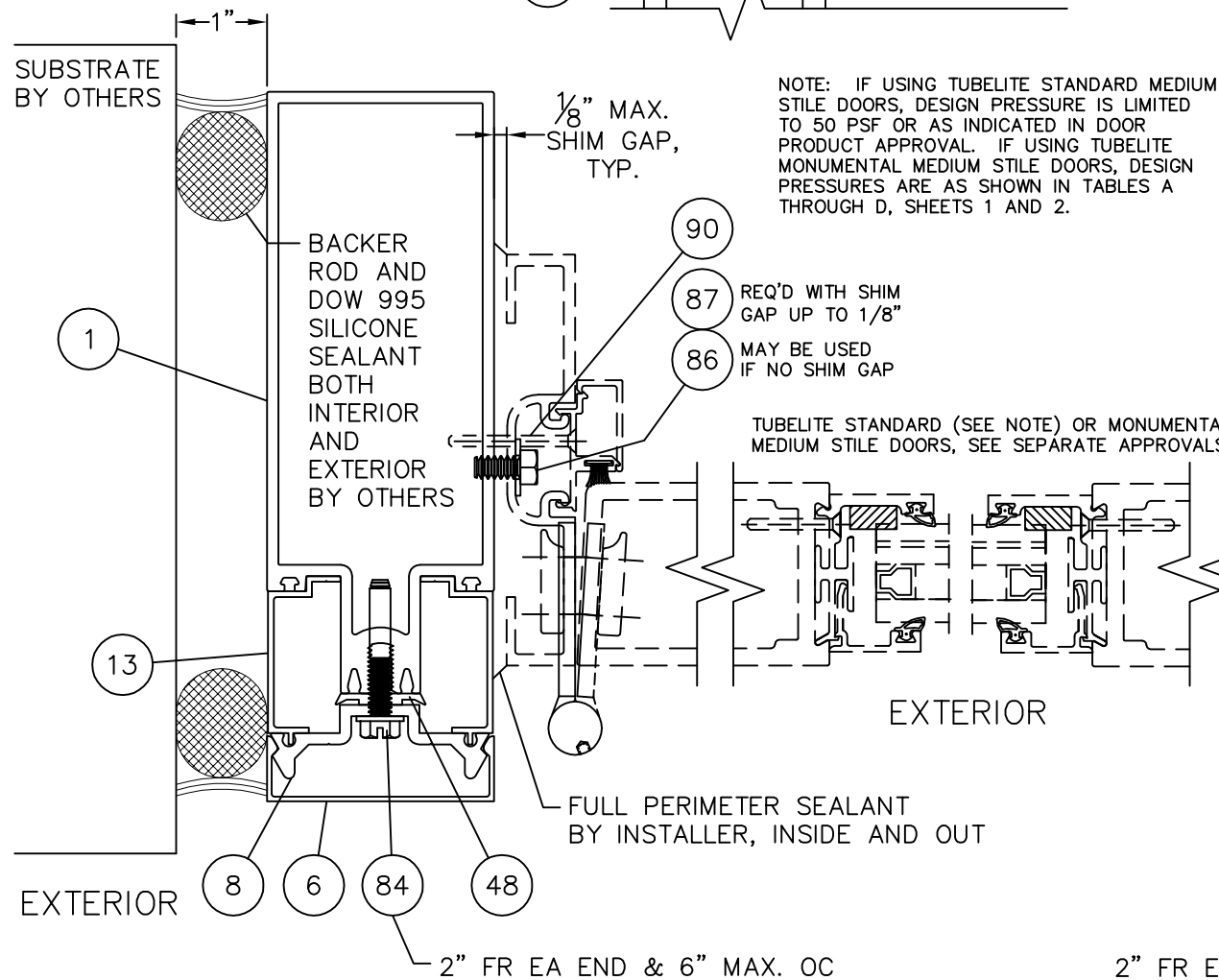
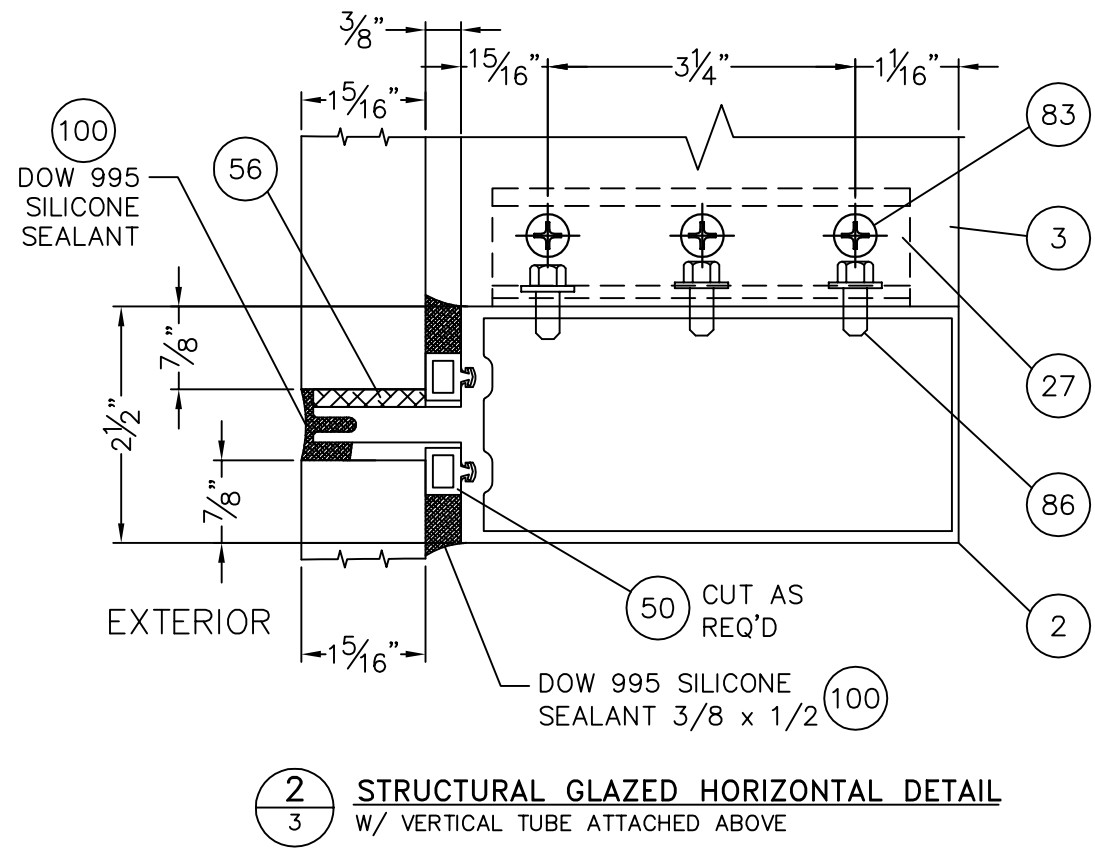
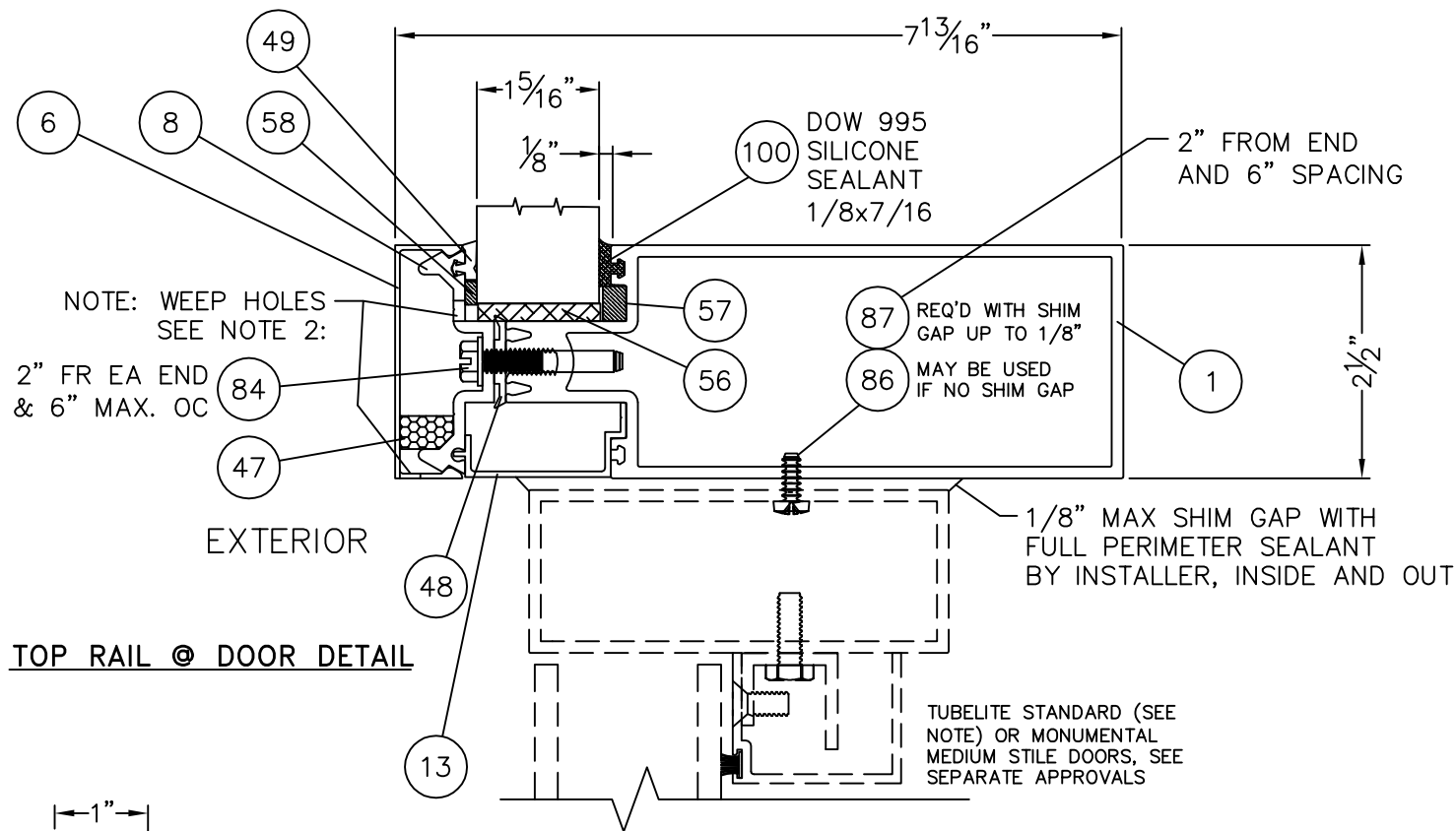
TUBELITE
CW 400 SSG IMPACT
CURTAIN WALL SYSTEM

3056 WALKER RIDGE DRIVE N.W.
WALKER, MICHIGAN 49544
PH: 800.566.2227
FX: 616.301.0009
WEB SITE: WWW.TUBELITEINC.COM

TUBELITE
DEPENDABLE
LEADERS IN ECO-EFFICIENT STOREFRONT
CURTAINWALL AND ENTRANCE SYSTEMS

REVISION HISTORY:	
REV.	DESCRIPTION
0	ORIGINAL RELEASE
A	ANCHOR REVISIONS
DATE	DRAWN
15.7.14	LT
2.24.15	LT

DATE:	05.07.14
DRAWING NUMBER:	FPA-400-SSG-IMP
DRAWN:	
FINAL REVIEW:	
SCALE:	N.T.S.
REVISION:	A
SHEET NAME:	ELEVATIONS, ANCHORAGE, GLAZING
SHEET:	2 OF 14



2/26/2015
 LUCAS A. TURNER, P.E.
 FL PE # 58201
 TURNER ENGINEERING & CONSULTING, INC.
 (COA # 29779)
 1239 JABARA AVE.
 NORTH PORT, FL 34288

TUBELITE
 CW 400 SSG IMPACT CURTAIN WALL SYSTEM

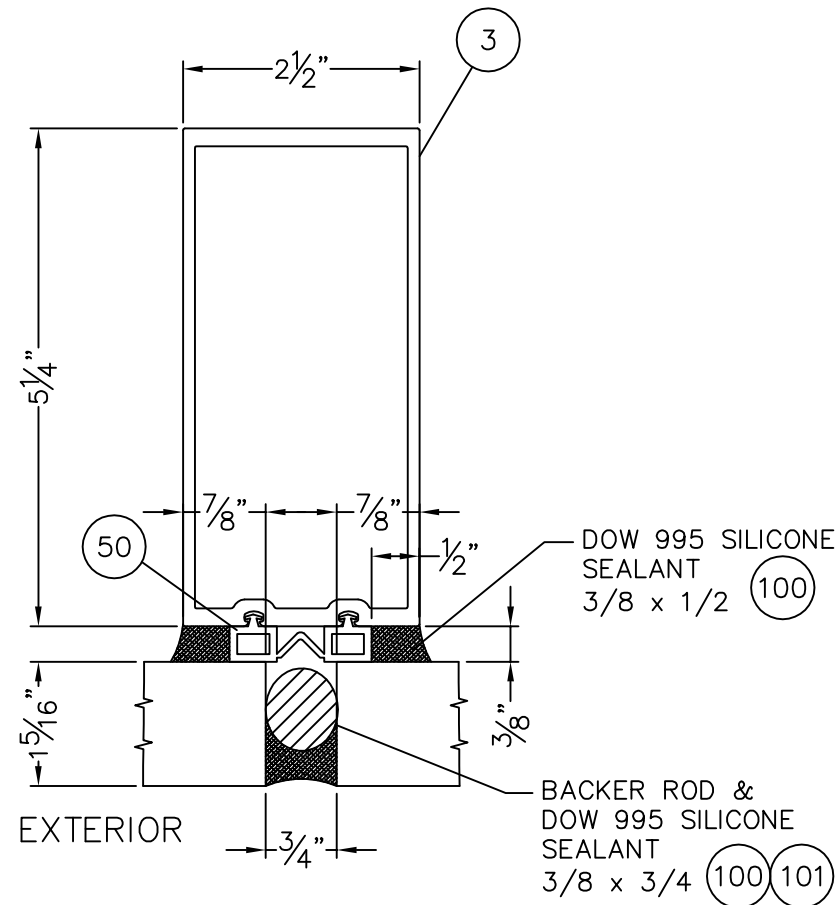
3056 WALKER RIDGE DRIVE N.W.
 WALKER, MICHIGAN 49544
 PH: 800.566.2227
 FX: 616.301.0009
 WEB SITE: WWW.TUBELITEINC.COM

TUBELITE
 DEPENDABLE
 LEADERS IN ECO-EFFICIENT STOREFRONT CURTAINWALL AND ENTRANCE SYSTEMS

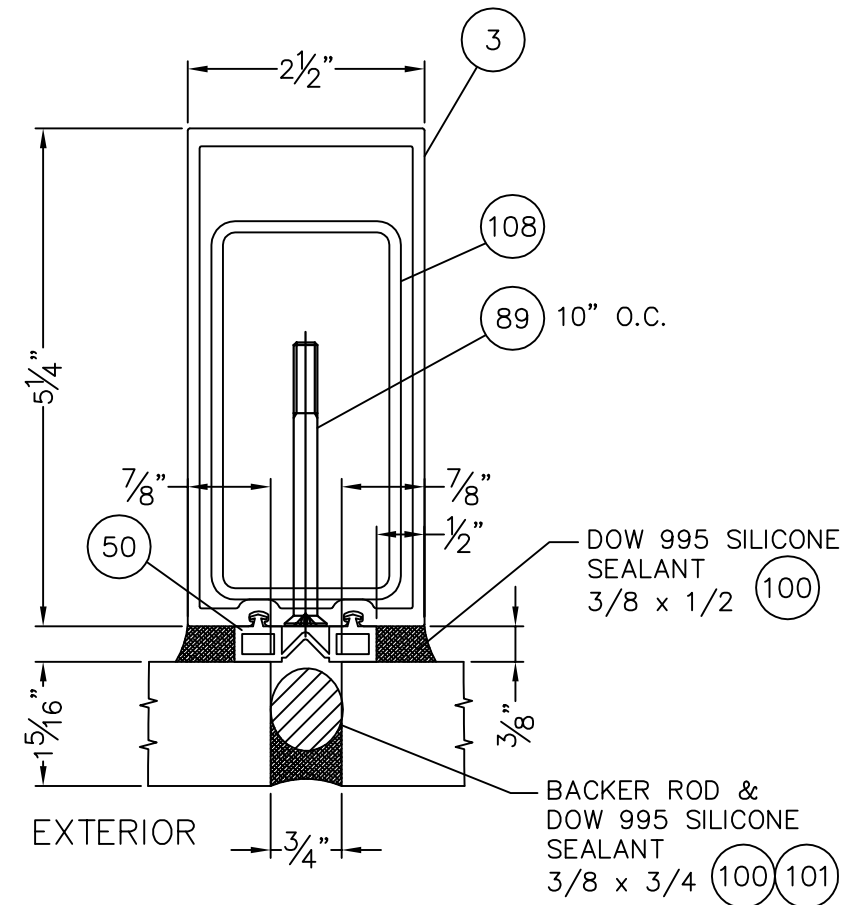
REVISION HISTORY:	
REV.	DESCRIPTION
O	ORIGINAL RELEASE
A	ANCHOR REVISIONS

DATE: 05.07.14
 DRAWING NUMBER: FPA-400-SSG-IMP
 DRAWN:
 FINAL REVIEW:
 SCALE: N.T.S.
 REVISION: A

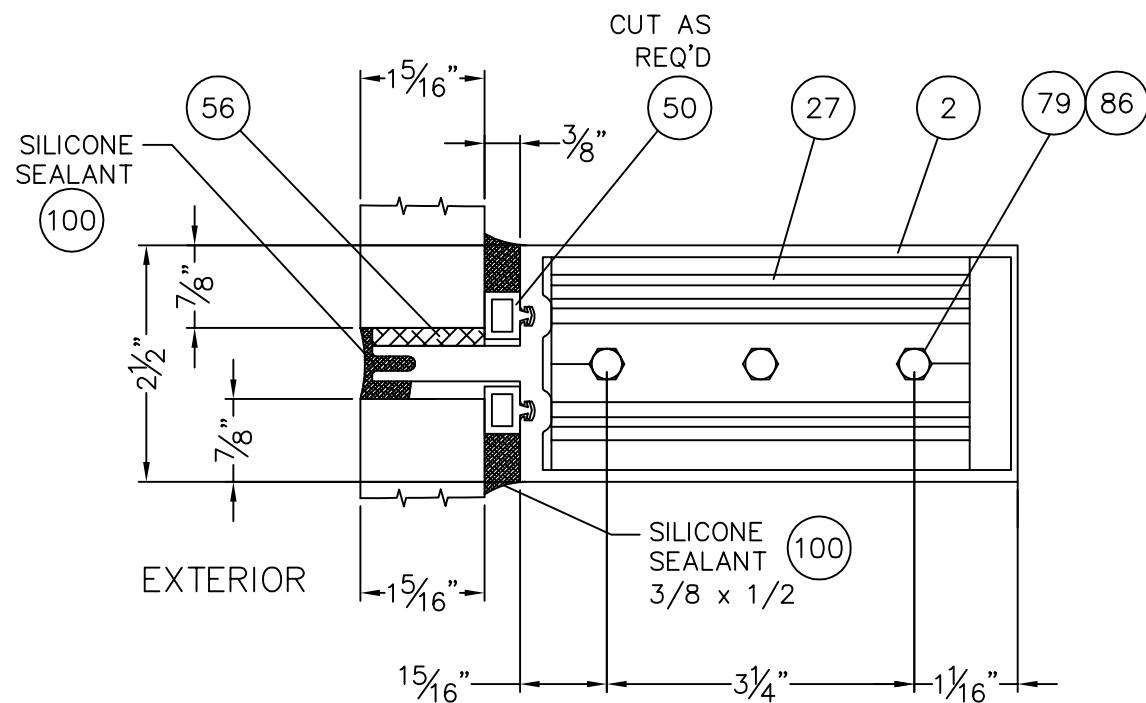
SHEET NAME: DOOR SECTION DETAILS
 SHEET: 3 OF 14



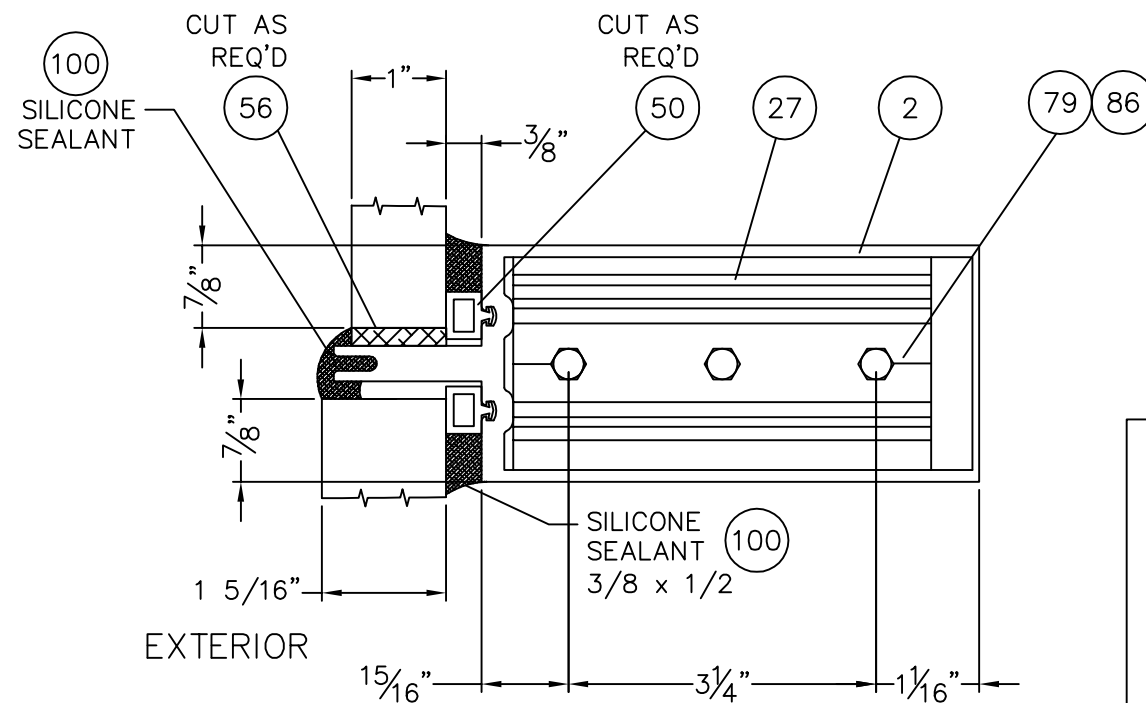
1
4 STRUCTURAL GLAZED VERTICAL DETAIL



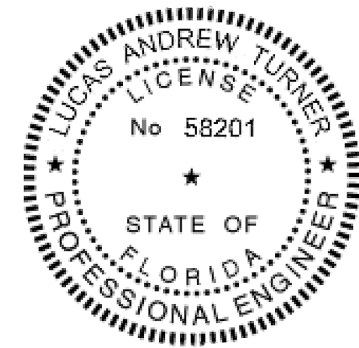
2
4 STRUCTURAL GLAZED VERTICAL DETAIL WITH STEEL REINFORCEMENT



3
4 STRUCTURAL GLAZED HORIZONTAL DETAIL
1 5/16" OVER 1 5/16" GLASS



4
4 STRUCTURAL GLAZED HORIZONTAL DETAIL
1" (SEE SEPARATE APPROVAL) OVER 1 5/16" GLASS



22
2/26/2015
LUCAS A. TURNER, P.E.
FL PE # 58201
TURNER ENGINEERING &
CONSULTING, INC.
(COA # 29779)
1239 JABARA AVE.
NORTH PORT, FL 34288

TUBELITE
CW 400 SSG IMPACT
CURTAIN WALL SYSTEM

3056 WALKER RIDGE DRIVE N.W.
WALKER, MICHIGAN 49544
PH: 800.566.2227
FX: 616.301.0099
WEB SITE: WWW.TUBELITEINC.COM

TUBELITE
DEPENDABLE
LEADERS IN ECO-EFFICIENT STOREFRONT
CURTAINWALL AND ENTRANCE SYSTEMS

REVISION HISTORY:

REV	DATE	DESCRIPTION
0	5.7.14	ORIGINAL RELEASE
A	2.24.15	ANCHOR REVISIONS

DATE: 05.07.14

DRAWING NUMBER: FPA-400-SSG-IMP

DRAWN:

FINAL REVIEW:

SCALE: N.T.S.

REVISION: A

SHEET NAME:

INTERMEDIATE SECTION DETAILS

SHEET: 4 OF 14

**TUBELITE
CW 400 SSG IMPACT
CURTAIN WALL SYSTEM**

3056 WALKER RIDGE DRIVE N.W.
WALKER, MICHIGAN 49544
PH: 800.566.2227
FX: 616.301.0095
WEB SITE: WWW.TUBELITEINC.COM



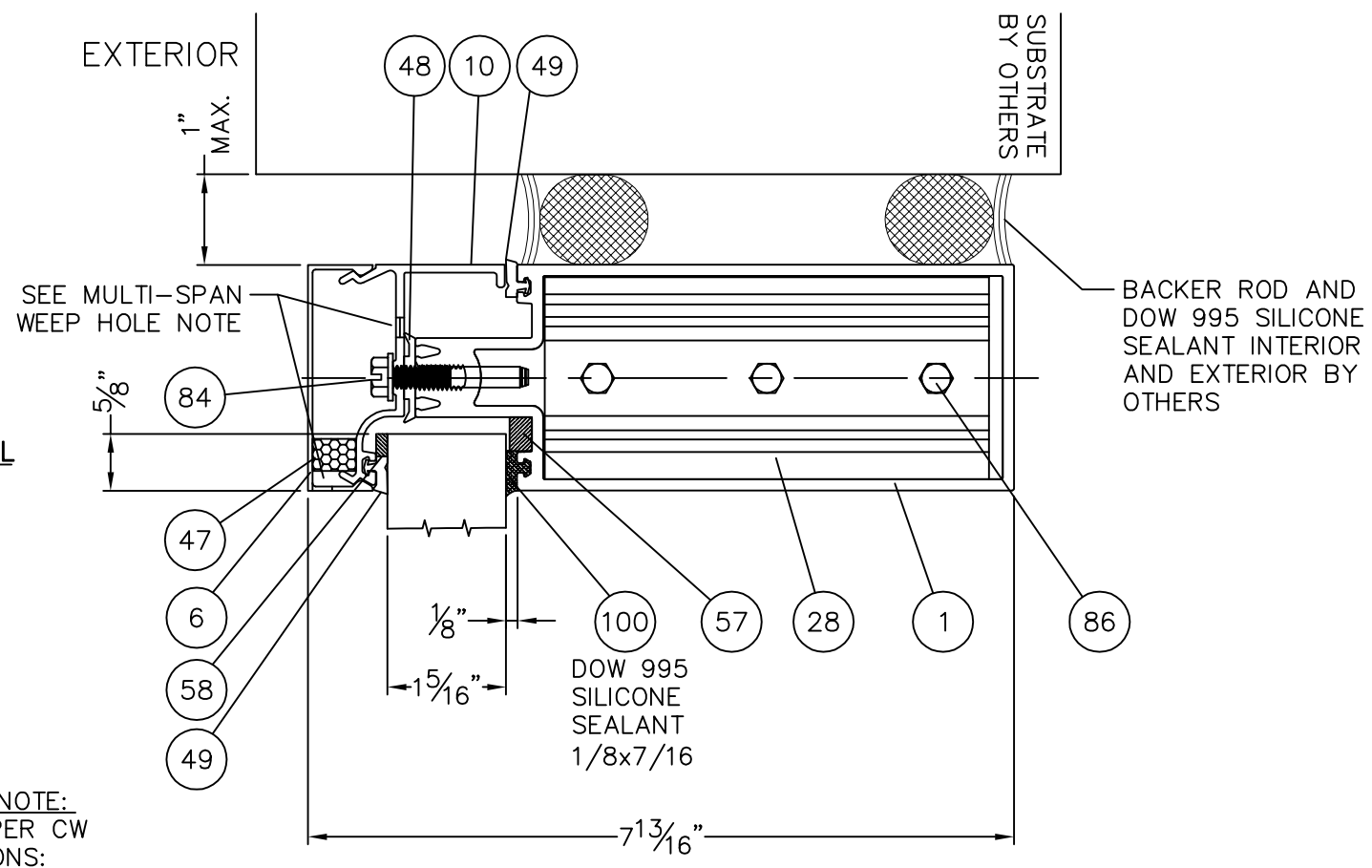
REVISION HISTORY:

REV	DATE	DESCRIPTION
0	15.7.14	ORIGINAL RELEASE
A	2.24.15	ANCHOR REVISIONS

DATE:	05.07.14
DRAWING NUMBER:	FPA-400-SSG-IMP
DRAWN:	
FINAL REVIEW:	
SCALE:	N.T.S.
REVISION:	A

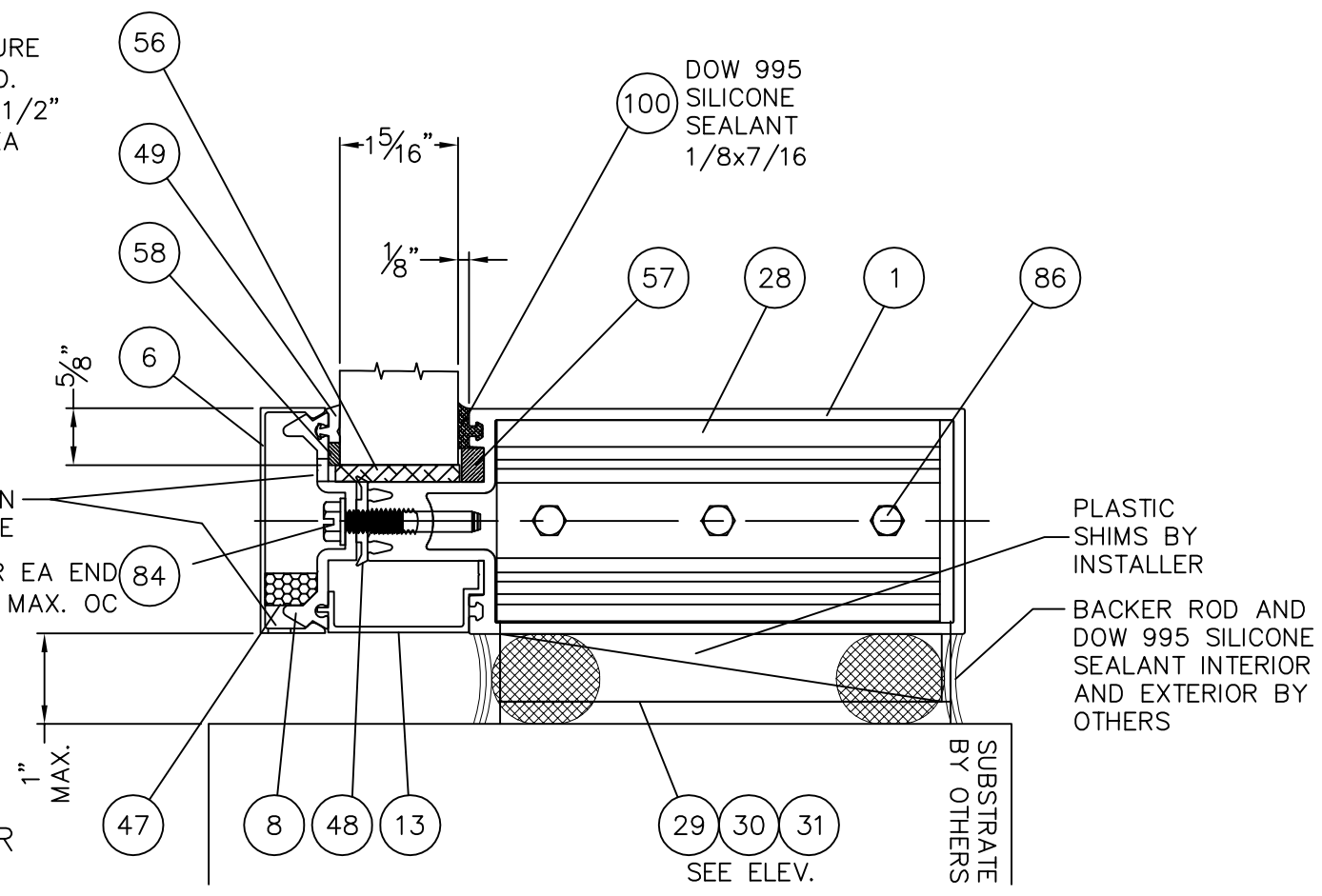
SHEET NAME:
TWIN-SPAN PERIMETER DETAILS

SHEET: 5 OF 14

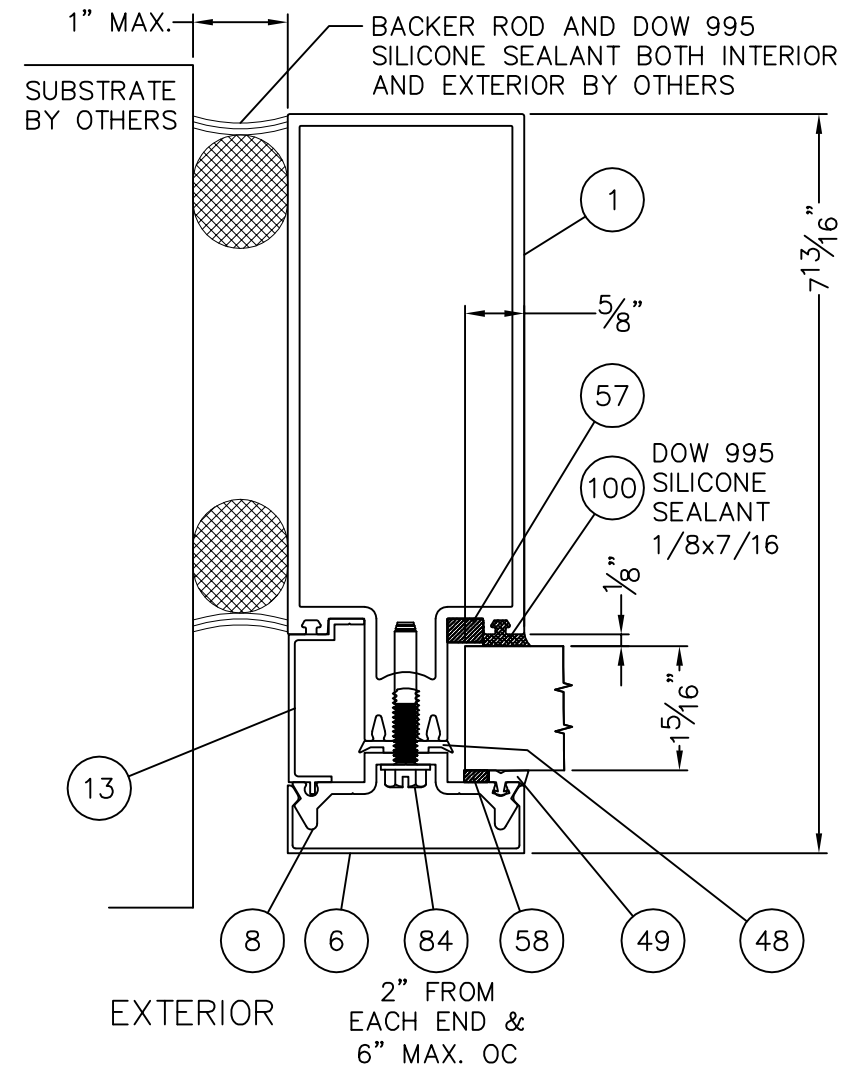


1
5 HEAD DETAIL
TWIN-SPAN

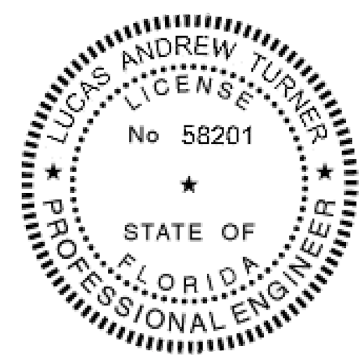
TWIN-SPAN WEEP HOLE NOTE:
WEEP HOLE LOCATIONS PER CW
INSTALLATION INSTRUCTIONS:
PRESSURE PLATE - (3) 1/4"
DIA. HOLES ONE MID BAY AND
(1) HALF WAY BETWEEN 1/4
POINTS AND END OF PRESSURE
PLATE. MIN 4" FROM EA END.
SNAP COVER - (2) 1/4" X 1/2"
LONG SLOTS 1' MAX FROM EA
END TO CENTER OF SLOT.



2
5 SILL DETAIL
TWIN-SPAN



3
5 JAMB DETAIL
TWIN-SPAN



22
2/26/2015
LUCAS A. TURNER, P.E.
FL PE # 58201
TURNER ENGINEERING &
CONSULTING, INC.
(COA # 29779)
1239 JABARA AVE.
NORTH PORT, FL 34288

**TUBELITE
CW 400 SSG IMPACT
CURTAIN WALL SYSTEM**

3056 WALKER RIDGE DRIVE N.W.
WALKER, MICHIGAN 49544
PH: 800.566.2227
FX: 616.301.0095
WEB SITE: WWW.TUBELITEINC.COM

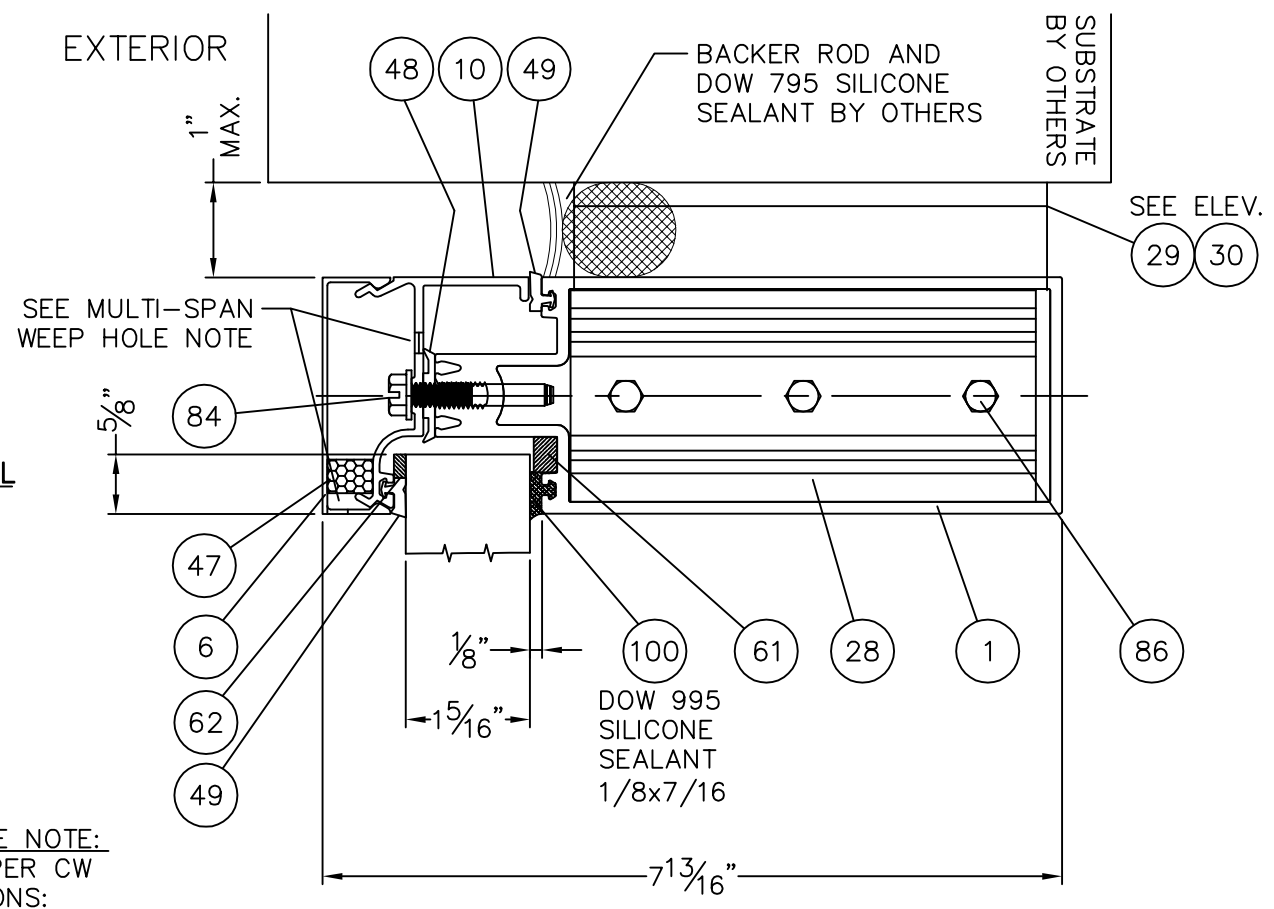
TUBELITE
DEPENDABLE
LEADERS IN ECO-EFFICIENT STOREFRONT
CURTAINWALL AND ENTRANCE SYSTEMS

REVISION HISTORY:

REV.	DATE	DESCRIPTION
0	5.7.14	ORIGINAL RELEASE
A	2.24.15	ANCHOR REVISIONS

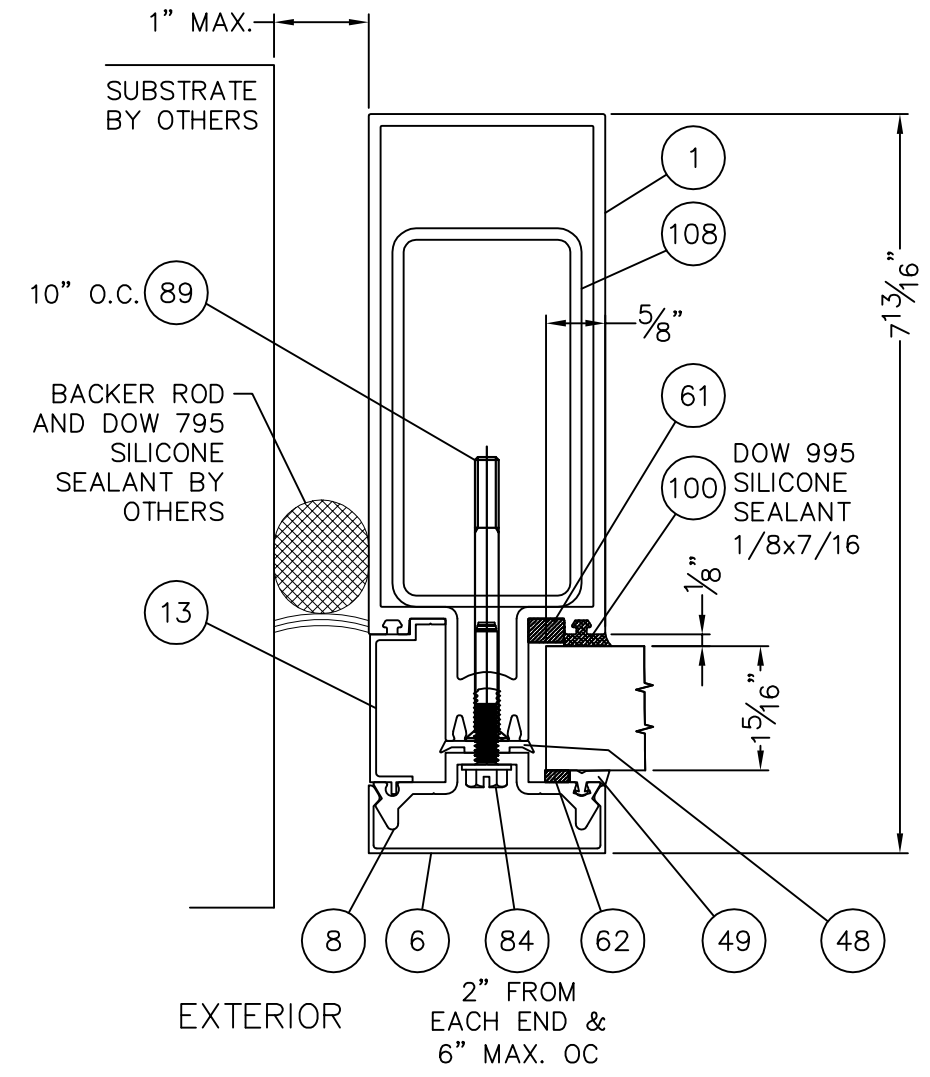
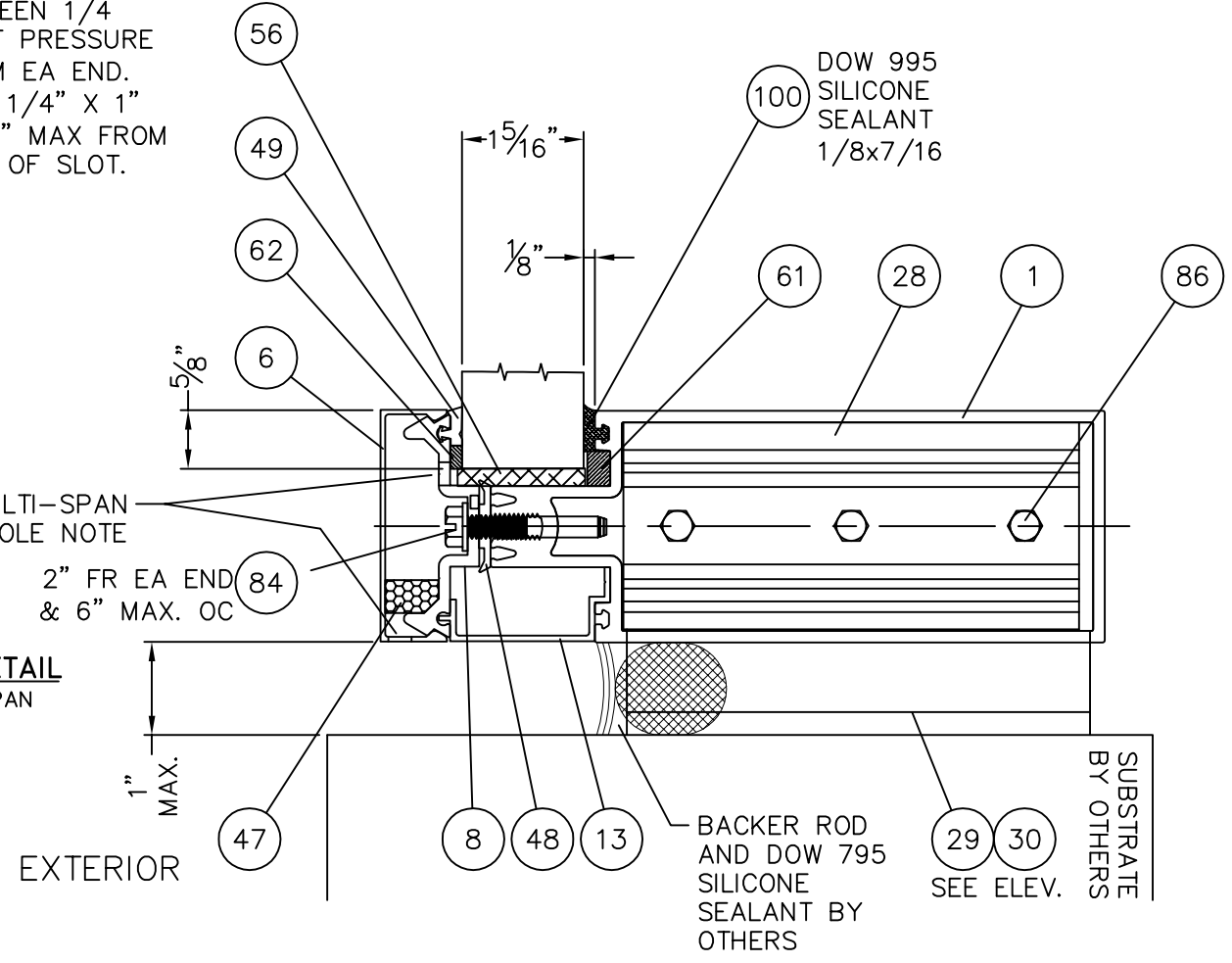
DATE:	05.07.14
DRAWING NUMBER:	FPA-400-SSG-IMP
DRAWN:	
FINAL REVIEW:	
SCALE:	N.T.S.
REVISION:	A
SHEET NAME:	SINGLE-SPAN PERIMETER DETAILS
SHEET:	6 OF 14

1
6 HEAD DETAIL
SINGLE-SPAN

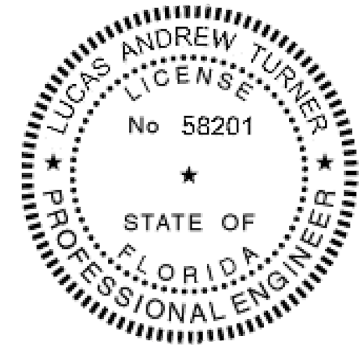


SINGLE-SPAN WEEP HOLE NOTE:
WEEP HOLE LOCATIONS PER CW
INSTALLATION INSTRUCTIONS:
PRESSURE PLATE - (3) 1/4"
DIA. HOLES ONE MID BAY AND
(1) HALF WAY BETWEEN 1/4
POINTS AND END OF PRESSURE
PLATE. MIN 4" FROM EA END.
SNAP COVER - (2) 1/4" X 1"
LONG SLOTS 1 3/16" MAX FROM
EA END TO CENTER OF SLOT.

2
6 SILL DETAIL
SINGLE-SPAN



3
6 JAMB DETAIL
SINGLE-SPAN



22
2/26/2015
LUCAS A. TURNER, P.E.
FL PE # 58201
TURNER ENGINEERING &
CONSULTING, INC.
(COA # 29779)
1239 JABARA AVE.
NORTH PORT, FL 34288

**TUBELITE
CW 400 SSG IMPACT
CURTAIN WALL SYSTEM**

3056 WALKER RIDGE DRIVE N.W.
WALKER, MICHIGAN 49544
PH: 800.566.2227
FX: 616.301.0095
WEB SITE: WWW.TUBELITEINC.COM

TUBELITE
DEPENDABLE
LEADERS IN ECO-EFFICIENT STOREFRONT
CURTAINWALL AND ENTRANCE SYSTEMS

REVISION HISTORY:

REV	DATE	DESCRIPTION
0	5.7.14	ORIGINAL RELEASE
A	2.24.15	ANCHOR REVISIONS

DATE: 05.07.14

DRAWING NUMBER: FPA-400-SSG-IMP

DRAWN:

FINAL REVIEW:

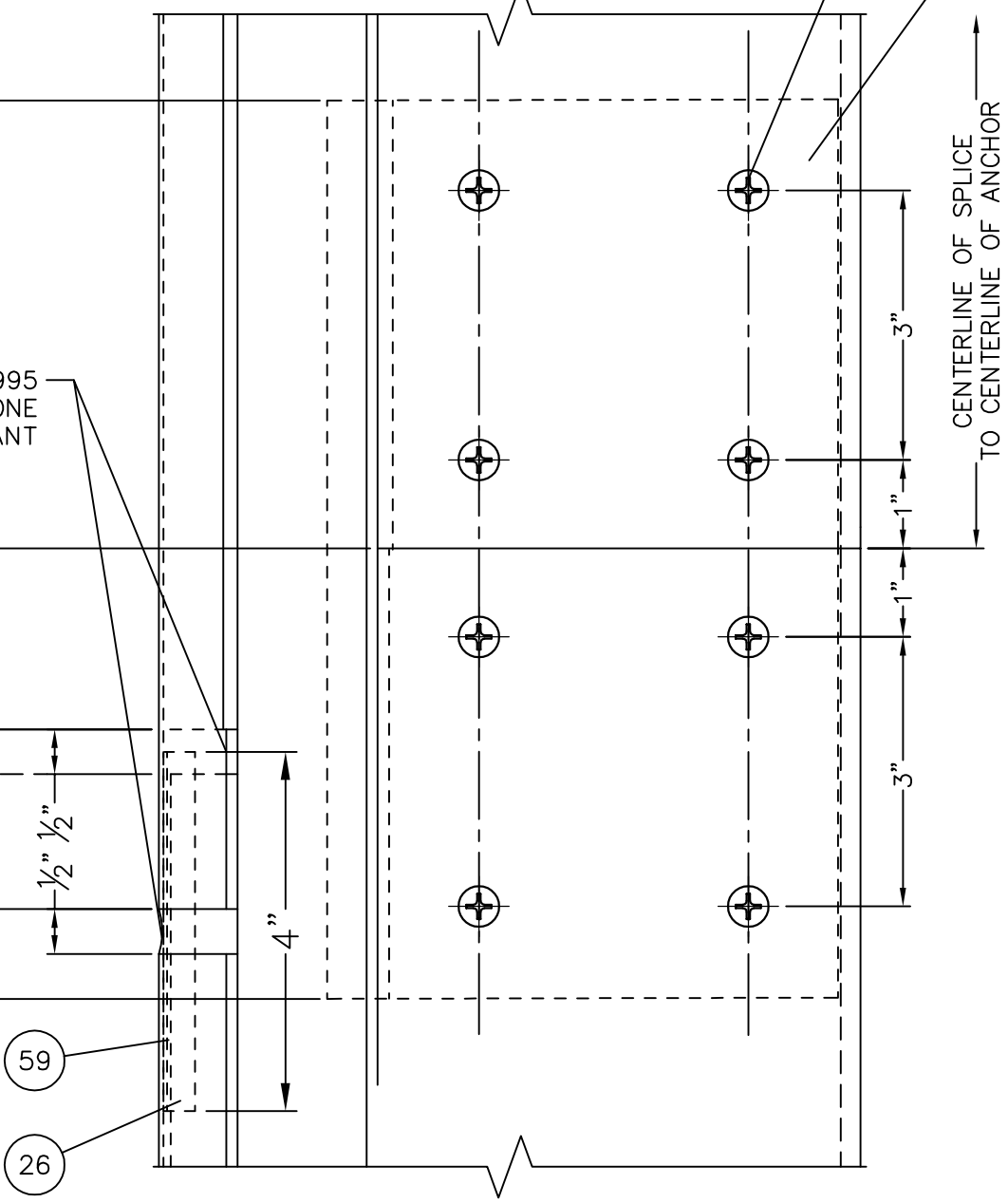
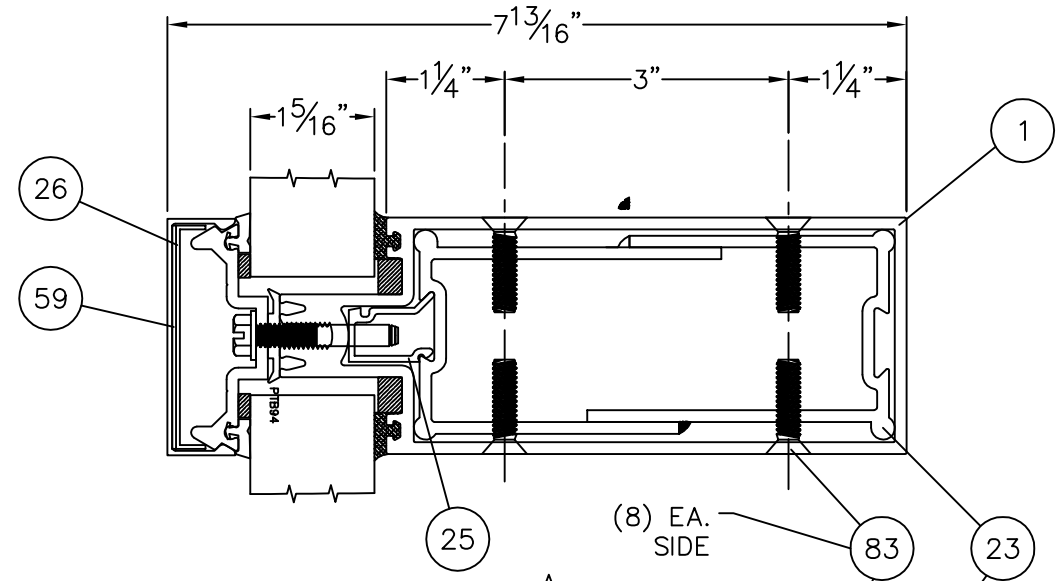
SCALE: N.T.S.

REVISION: A

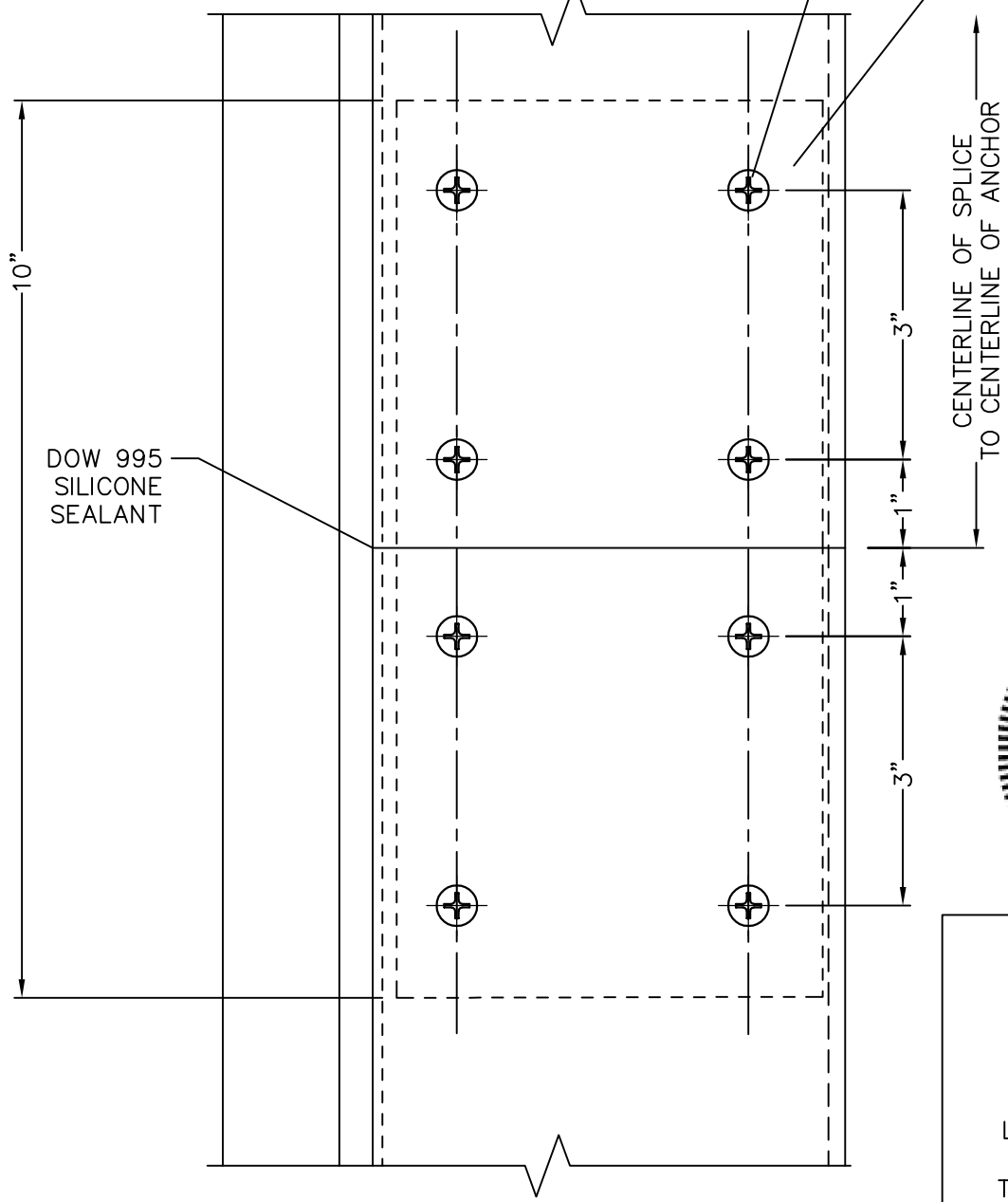
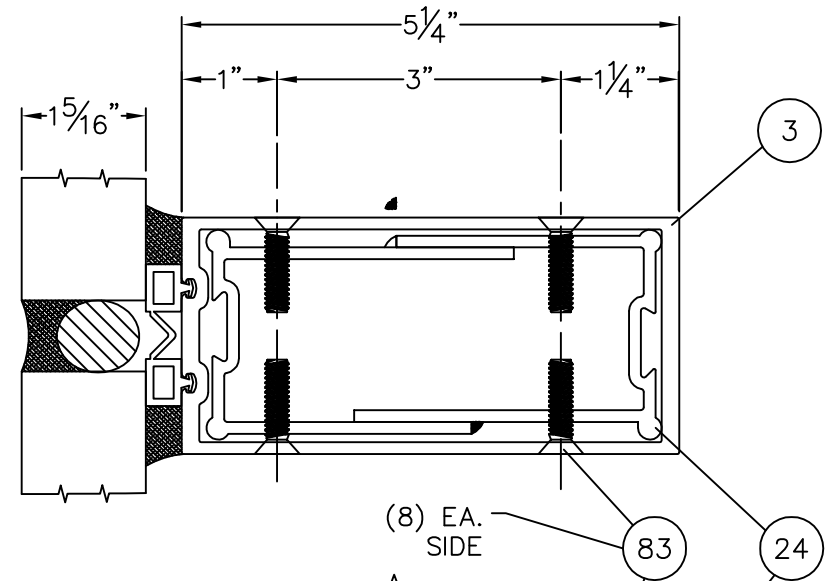
SHEET NAME:

SPLICE JOINT DETAILS

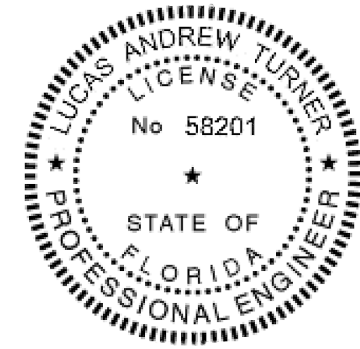
SHEET: 8 OF 14



1
8 TYPICAL MULLION SPLICE DETAIL



2
8 STRUCTURAL GLAZED MULLION SPLICE DETAIL



LT
2/26/2015
LUCAS A. TURNER, P.E.
FL PE # 58201
TURNER ENGINEERING &
CONSULTING, INC.
(COA # 29779)
1239 JABARA AVE.
NORTH PORT, FL 34288

REVISION HISTORY:

REV	DATE	DESCRIPTION
0	15.7.14	ORIGINAL RELEASE
A	2.24.15	ANCHOR REVISIONS

DATE: 05.07.14

DRAWING NUMBER:
FPA-400-SSG-IMP

DRAWN:

FINAL REVIEW:

SCALE: N.T.S.

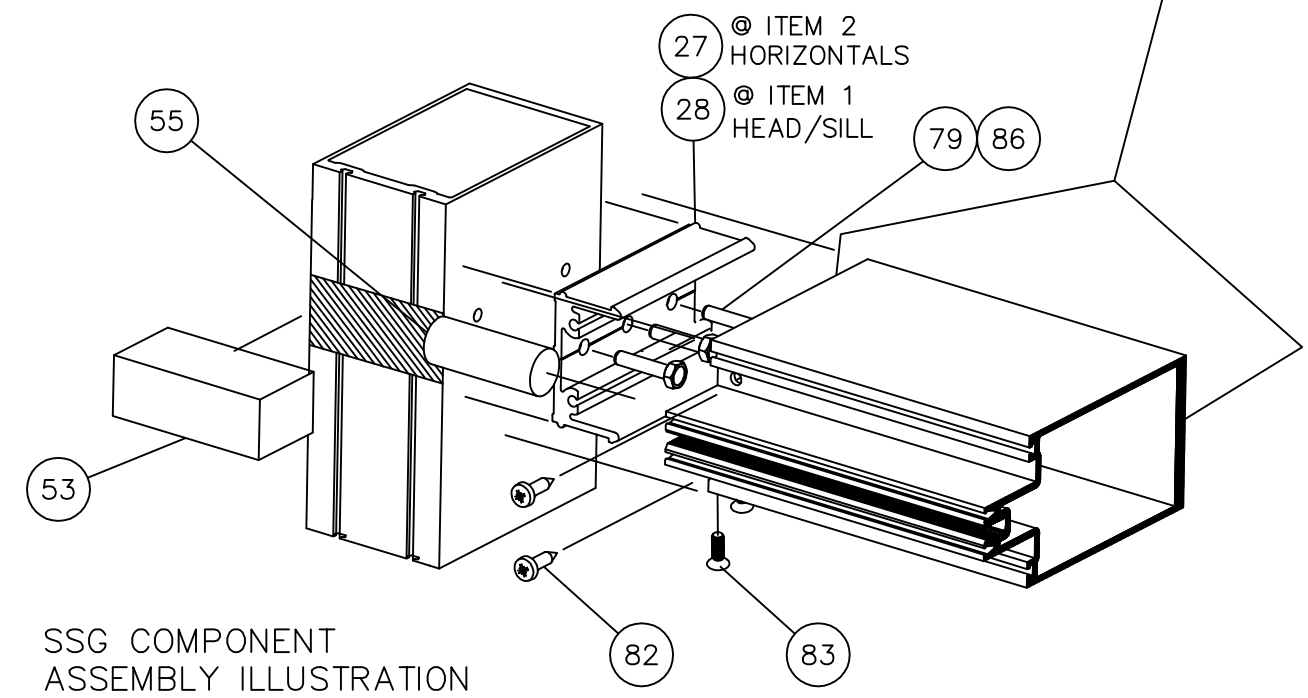
REVISION: A

SHEET NAME:

ASSEMBLY
DETAILS

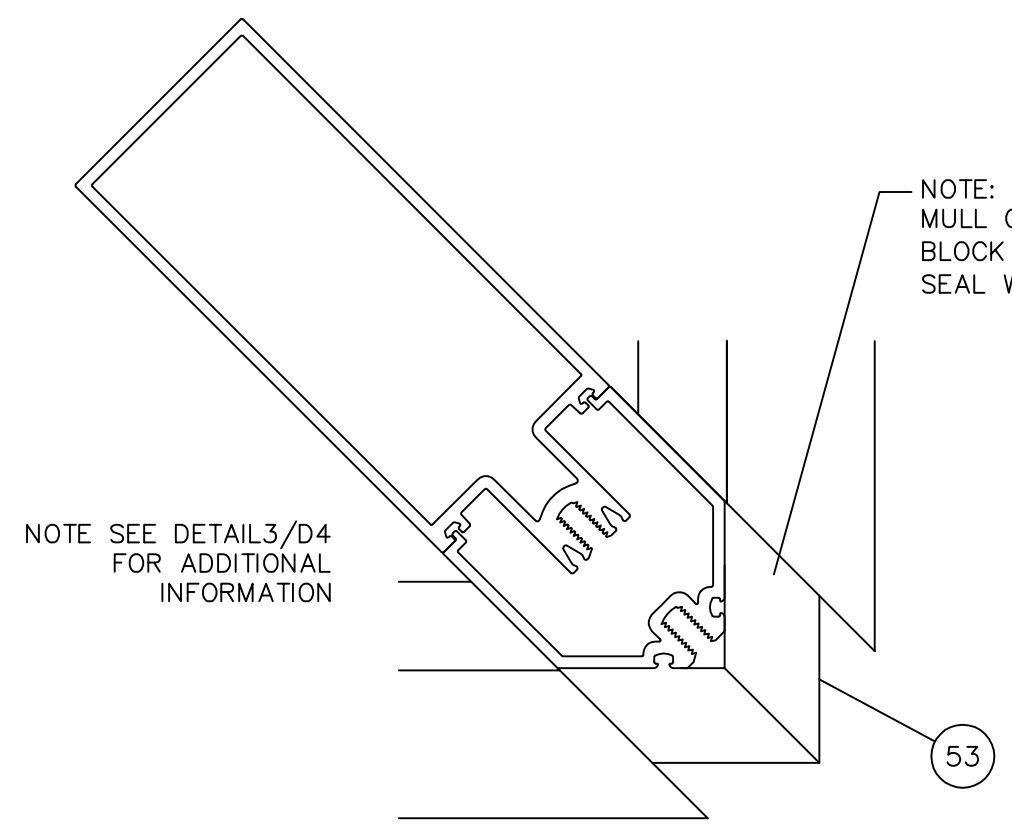
SHEET: 12 OF 14

SEALING NOTE:
DOW 995 CAULK END OF ALL HORIZONTAL
EXTRUSIONS PRIOR TO ASSEMBLY. AND CAULK
PERIMETER OF WATER DAM AFTER ASSEMBLY



SSG COMPONENT
ASSEMBLY ILLUSTRATION

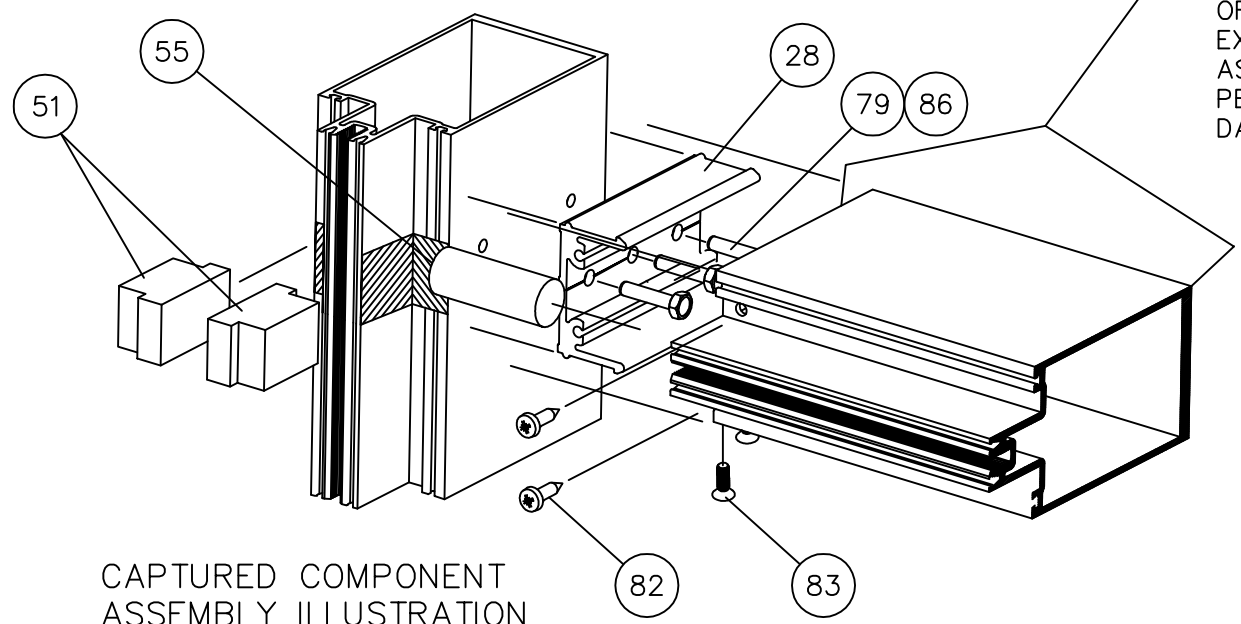
NOTE: AT CORNER
MULL CUT WATER DAM
BLOCK AS REQ'D AND
SEAL W/ 995 CAULK



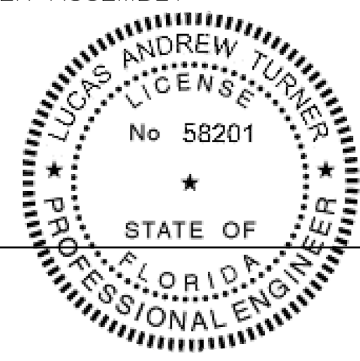
NOTE SEE DETAIL3/D4
FOR ADDITIONAL
INFORMATION

SSG COMPONENT
ILLUSTRATION

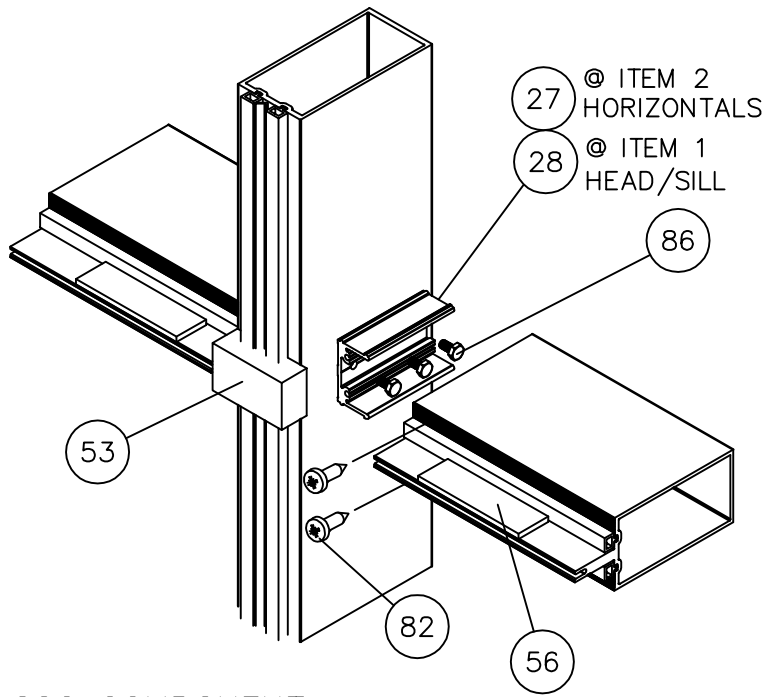
SEALING NOTE:
DOW 995 CAULK END OF ALL HORIZONTAL
EXTRUSIONS PRIOR TO ASSEMBLY. AND CAULK
PERIMETER OF WATER
DAM AFTER ASSEMBLY



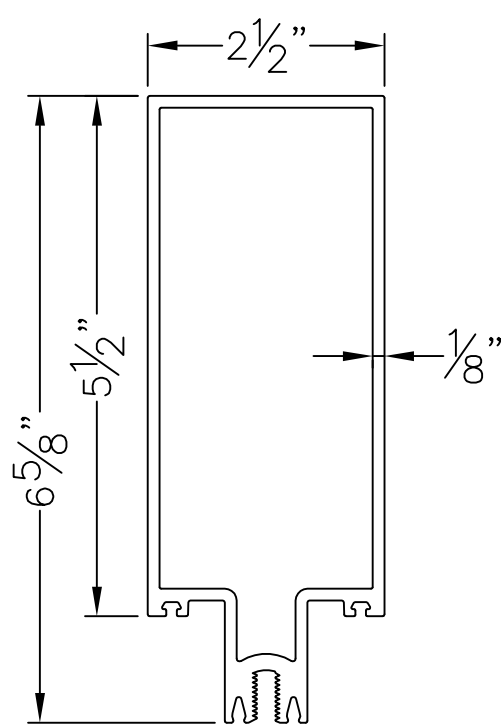
CAPTURED COMPONENT
ASSEMBLY ILLUSTRATION



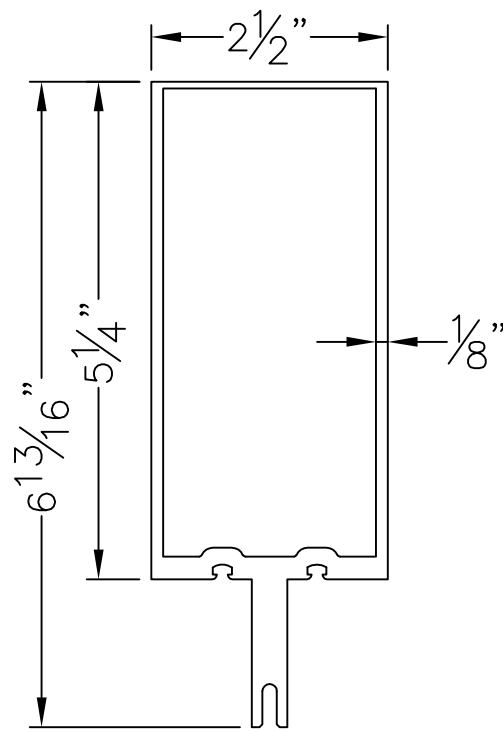
2/26/2015
LUCAS A. TURNER, P.E.
FL PE # 58201
TURNER ENGINEERING &
CONSULTING, INC.
(COA # 29779)
1239 JABARA AVE.
NORTH PORT, FL 34288



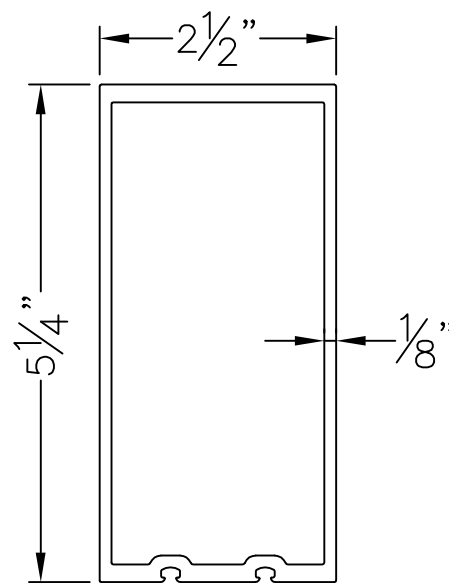
SSG COMPONENT
ASSEMBLY ILLUSTRATION



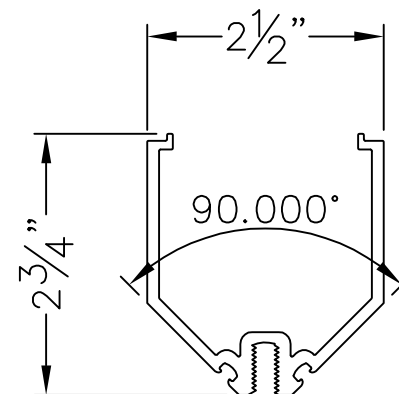
ITEM 1 - E55TB02FS
CURTAINWALL TUBE



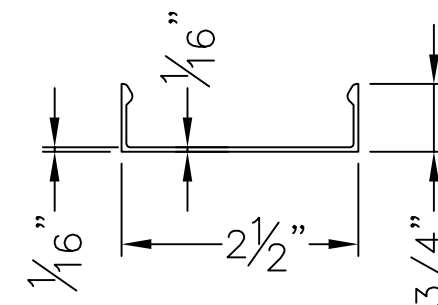
ITEM 2 - E5TB252FS
CURTAINWALL TUBE



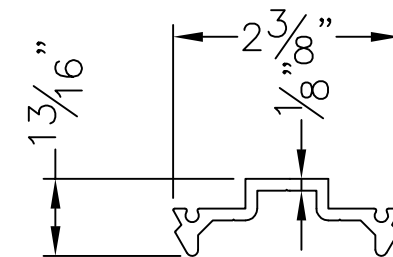
ITEM 3 - E55TB04FS
CURTAINWALL
STRUCTURAL
GLAZING TUBE



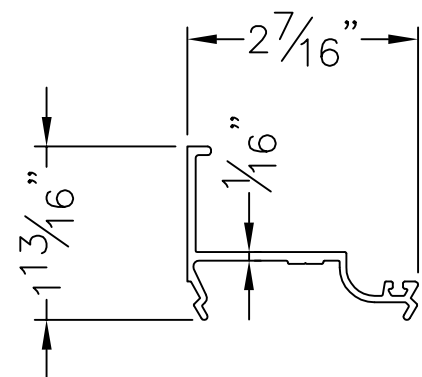
ITEM 5 - E5TB67FS
OUTSIDE CORNER
BUTT GLAZED
CURTAINWALL ADAPTOR



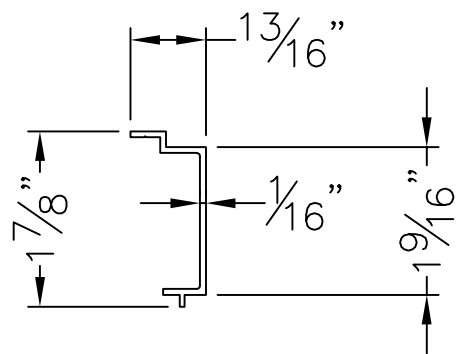
ITEM 6 - E4TB64FS
COVER, FACE
2-1/2 X 3/4



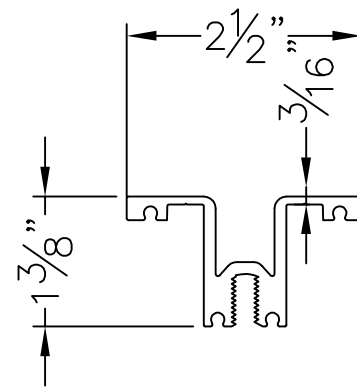
ITEM 8 - E4TB102FS
PRESSURE PLATE (1 5/16")



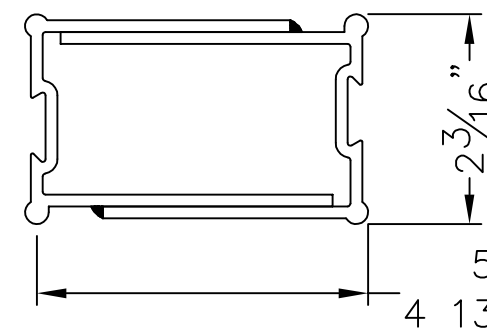
ITEM 10 - E5TB251FS
CURTAINWALL FILLER -
PRESSURE PLATE (1 5/16")



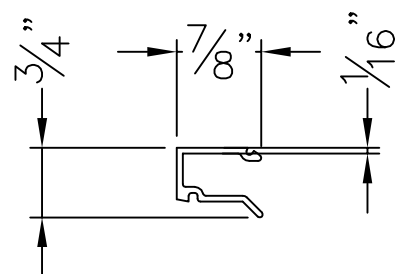
ITEM 13 - E6642FS
GLAZING POCKET
CLOSURE (1 5/16")



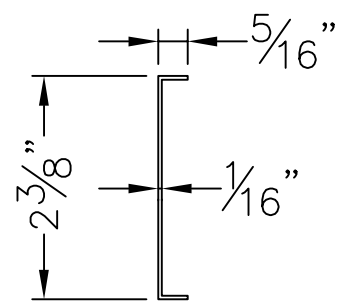
ITEM 16 -
E4TB170FS SCREW
APPLIED HORN



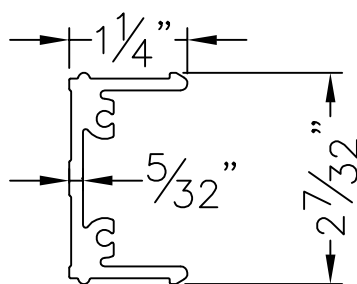
ITEM 23 & 24
P1627D ~ USE WITH ITEM 1
P1627J ~ USE WITH ITEM 3
MULL SPLICE 10" LG



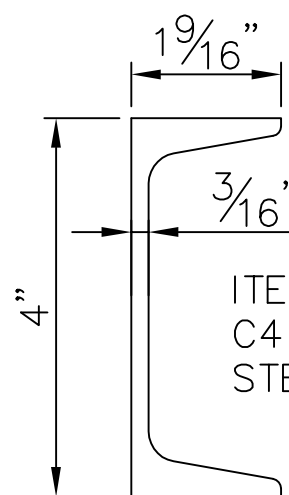
ITEM 25 - P1631
FILLER 10" LG



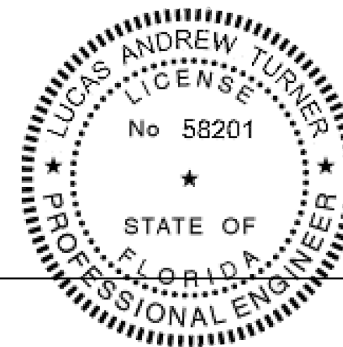
ITEM 26 - P1628B
FACE COVER SPLICE
SLEEVE 4" LG



E4TB113 - EXTRUSION
ITEM 27 - PTB59
ITEM 28 - PTB60
SHEAR BLOCK CLIP



ITEM 115-118
C4 X 5.4 A36
STEEL CHANNEL



2/26/2015
LUCAS A. TURNER, P.E.
FL PE # 58201
TURNER ENGINEERING &
CONSULTING, INC.
(COA # 29779)
1239 JABARA AVE.
NORTH PORT, FL 34288

TUBELITE
CW 400 SSG IMPACT
CURTAIN WALL SYSTEM

3056 WALKER RIDGE DRIVE N.W.
WALKER, MICHIGAN 49544
PH: 800.566.2227
FX: 616.301.0095
WEB SITE: WWW.TUBELITEINC.COM

TUBELITE
DEPENDABLE
LEADERS IN ECO-EFFICIENT STOREFRONT
CURTAINWALL AND ENTRANCE SYSTEMS

REVISION HISTORY:

REV	DATE	DESCRIPTION
0	15.7.14	ORIGINAL RELEASE
A	2.24.15	ANCHOR REVISIONS

DATE: 05.07.14

DRAWING NUMBER:

FPA-400-SSG-IMP

DRAWN:

FINAL REVIEW:

SCALE: N.T.S.

REVISION: A

SHEET NAME:

PART DRAWINGS

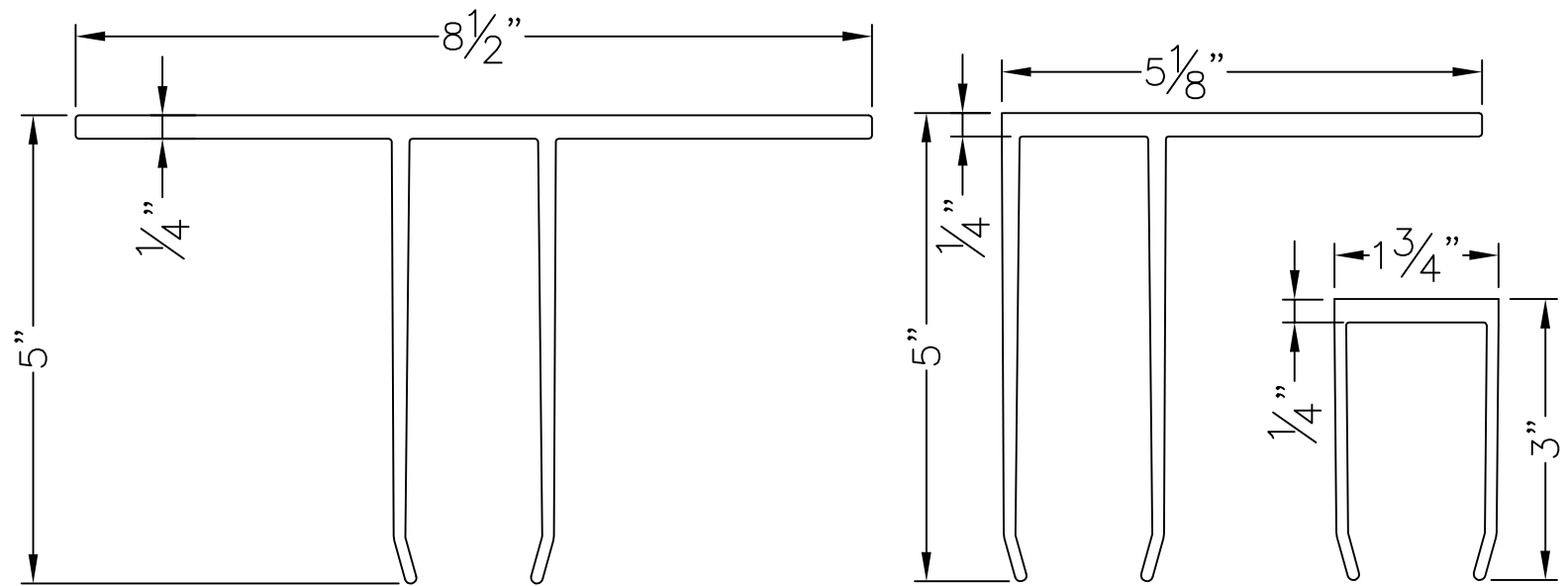
SHEET:

13 OF 14

CW 400 SSG IMPACT – PARTS LIST

ITEM	PART NUMBER	DESCRIPTION	MATERIAL
1	E55TB02FS	EXTRUSION, TUBE, NON-THERMAL	ALUMINUM – 6063-T6
2	E5TB252FS	EXTRUSION, TUBE SSG HORIZONTAL	ALUMINUM – 6063-T5
3	E55TB04FS	EXTRUSION, TUBE, STRUCTURAL GLAZING	ALUMINUM – 6063-T6
5	E5TB67FS	EXTRUSION, OUTSIDE BUTT GLAZED CORNER	ALUMINUM – 6063-T5
6	E4TB64FS	EXTRUSION, COVER, FACE, 2-1/2 X 3/4	ALUMINUM – 6063-T5
8	M4TB102FS	EXTRUSION, PRESSURE PLATE OFFSET (1 5/16")	ALUMINUM – 6063-T5
10	M5TB251FS	EXTRUSION, FILLER-PRESSURE PLATE (1 5/16")	ALUMINUM – 6063-T5
13	E6642FS	EXTRUSION, GLAZING POCKET FILLER (1 5/16")	ALUMINUM – 6063-T5
16	E4TB170FS	EXTRUSION, SCREW APPLIED HORN	ALUMINUM – 6063-T5
23	P1627D	MULL SPLICE FOR ITEM 1	ALUMINUM – 6063-T5
24	P1627J	MULL SPLICE FOR ITEM 3	ALUMINUM – 6063-T5
25	P1631	MULL SPLICE FILLER FOR ITEM 1	ALUMINUM – 6063-T5
26	P1628B	FACE COVER SPLICE SLEEVE	ALUMINUM – 6063-T5
27	PTB59F	SHEAR BLOCK	ALUMINUM – 6063-T5
28	PTB60F	SHEAR BLOCK	ALUMINUM – 6063-T5
29	PTB21A/B	ANCHOR, 'T' CUT & PRE-DRILLED. LG P/N A=4.761", B=5.053"	ALUMINUM – 6063-T6
30	PTB20A/B	ANCHOR, 'F' CUT & PRE-DRILLED. LG P/N A=4.761", B=5.053"	ALUMINUM – 6063-T6
31	PTB22	ANCHOR, 'U' CUT & PRE-DRILLED	ALUMINUM – 6063-T6
47	PTB42	WEEP BAFFLE	P-PART – FOAM
48	PTB94	GASKET, THERMAL BARRIER, EPG (PRESSURE PLATE)	P-PART – RUBBER
49	PTB28	GLAZING, FIXED, 1/8 THICK (CW)	P-PART – RUBBER
50	PTB75	GASKET, STRUCTURAL GLAZING	P-PART – RUBBER
51	PTB93	WATER DAM SINGLE POCKET	P-PART – RUBBER
53	PTB76A	WATER DAM 1"	P-PART – RUBBER
55	P1094	ROD, ETHAFOAM 3/8" DIA X 2" LONG	P-PART – FOAM
56	P6550	BLOCK, SETTING, 3/16" x 1 5/16" x 4" LG	P-PART – SILICONE
57	P6551	GLAZING TAPE 1/4 x 3/8 (THERMALBOND V2100 OR V2200)	P-PART – FOAM
58	P6552	GLAZING TAPE 1/8 x 1/4 (THERMALBOND V2100 OR V2200)	P-PART – FOAM
59	BY OTHERS	TWO FACE TAPE	P-PART – FOAM
61	TREMCO SGT 922	GLAZING TAPE 1/4 x 3/8	P-PART – FOAM
62	TREMCO SGT 922	GLAZING TAPE 1/8 x 1/4	P-PART – FOAM
75	BY OTHERS	BOLT, 3/4-10 X 5 1/4 HEX HEAD CLASS 2A	P-PART – FASTENER
76	BY OTHERS	3/4 FLAT WASHER	P-PART – FASTENER
77	BY OTHERS	3/4-10 HEX HEAD NYLOCK NUT	P-PART – FASTENER
78	S207	SCREW, 10-24 X 1 1/4 FLAT HEAD PHIL	P-PART – FASTENER
79	S328	SCREW, 1/4-20 X 1 HEX HEAD TYPE D (shear block)	P-PART – FASTENER
82	S270	SCREW, 10-24 X 3/4 PAN HEAD PHIL, SS (shear block)	P-PART – FASTENER
83	S6505	SCREW, 1/4-20 X 3/4 FLAT HEAD CLASS 2A (shear blk & mull splice)	P-PART – FASTENER
84	S359	SCREW, 1/4-20 1-1/2 HEX HD TYPE F (pres plate)	P-PART – FASTENER
85	S191	SCREW, 10-24 X 1/2 TRUSS HEAD PHIL (horiz mull & dr stop)	P-PART – FASTENER
86	S139	SCREW, 1/4-20 X 1/2 HEX HEAD TYPE B (shear blk)	P-PART – FASTENER
87	S369	SCREW, 1/4-20 3/4 HEX HD TYPE CA (pres plate & subframe w/ shim)	P-PART – FASTENER
88	S131	SCREW, 8-32 5/16 FLAT HEAD PHIL (lock face plate)	P-PART – FASTENER
89	S155	SCREW, 1/4-20 X 3" FLAT HEAD PHIL (reinforcing steel)	P-PART – FASTENER
91	BY OTHERS	INSTALLATION ANCHORS AND WASHERS, SEE TABLE D, SHEET 2	
96	S211	SCREW, 1/4-20 X 2 1/4 PAN HEAD PHIL, SS	P-PART – FASTENER

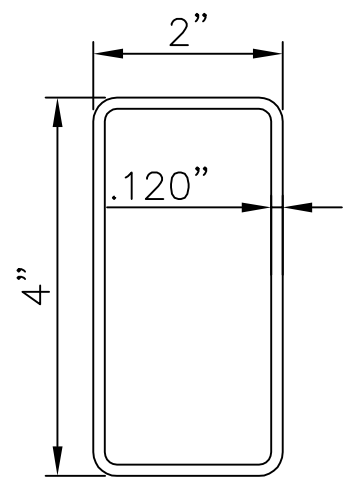
ITEM	PART NUMBER	DESCRIPTION	MATERIAL
99	BY OTHERS	DOW 795 SILICONE BUILDING SEALANT	
100	BY OTHERS	DOW 995 SILICONE SEALANT BLACK – STRUCTURAL GLAZING	
101	BY OTHERS	3/4 Ø BACKER ROD– STRUCTURAL GLAZING	
102	BY OTHERS	1 1/4 Ø BACKER ROD– STRUCTURAL GLAZING	
108	BY OTHERS	A36 STEEL, TUBE, 2"x4"x11 GA (.120) WALL (120" LG)	P6600
109	BY OTHERS	A36 STEEL, TUBE, 2"x4"x1/4" WALL (120" LG)	P6601
111	BY OTHERS	A36 STEEL ANGLE 6"x4"x3/8"	P6603
112	BY OTHERS	A36 FM'D STEEL ANGLE 7"x4"x3/8"	P6604
113	BY OTHERS	A36 STEEL PLATE 3 1/2"x3 1/2"	P6605
115	BY OTHERS	A36 STEEL, CHANNEL C4x5.4 (84" LG)	P6606
116	BY OTHERS	A36 STEEL, CHANNEL C4x5.4 (198" LG)	P6607
117	BY OTHERS	A36 STEEL, CHANNEL C4x5.4 (24" LG)	P6608
118	BY OTHERS	A36 STEEL, CHANNEL C4x5.4 (120" LG)	P6609



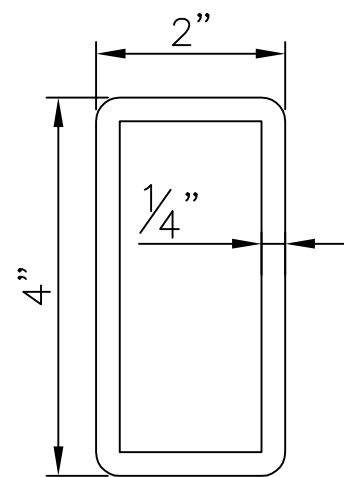
ITEM 29 – PTB21
T ANCHOR

ITEM 30 – PTB20
F ANCHOR

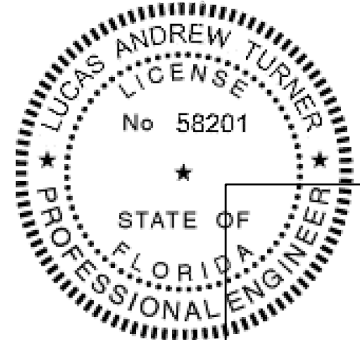
ITEM 31 – PTB22
U ANCHOR



ITEM 108 P6600
2"x4" x .120
A36 STEEL TUBE



ITEM 109 P6601
2"x4" x 1/4"
A36 STEEL TUBE



2/26/2015
LUCAS A. TURNER, P.E.
FL PE # 58201
TURNER ENGINEERING &
CONSULTING, INC.
(COA # 29779)
1239 JABARA AVE.
NORTH PORT, FL 34288

TUBELITE
DEPENDABLE
LEADERS IN ECO-EFFICIENT STOREFRONT
CURTAINWALL AND ENTRANCE SYSTEMS

3056 WALKER RIDGE DRIVE N.W.
WALKER, MICHIGAN 49544
PH: 800.566.2227
FX: 616.301.0009
WEB SITE: WWW.TUBELITEINC.COM

REVISION HISTORY:

REV	DATE	DESCRIPTION
0	15.7.14	ORIGINAL RELEASE
1	2.24.15	ANCHOR REVISIONS

DATE: 05.07.14

DRAWING NUMBER: FPA-400-SSG-IMP

DRAWN:

FINAL REVIEW:

SCALE: N.T.S.

REVISION: A

SHEET NAME:

BOM, PART DWGS

SHEET: 14 OF 14