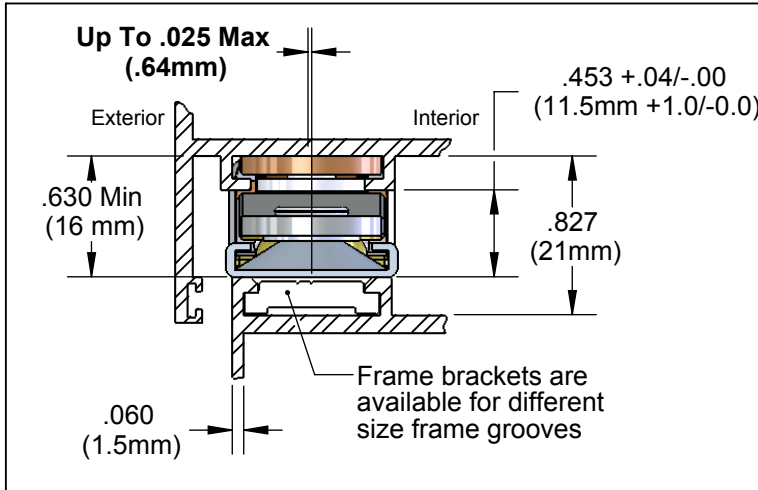


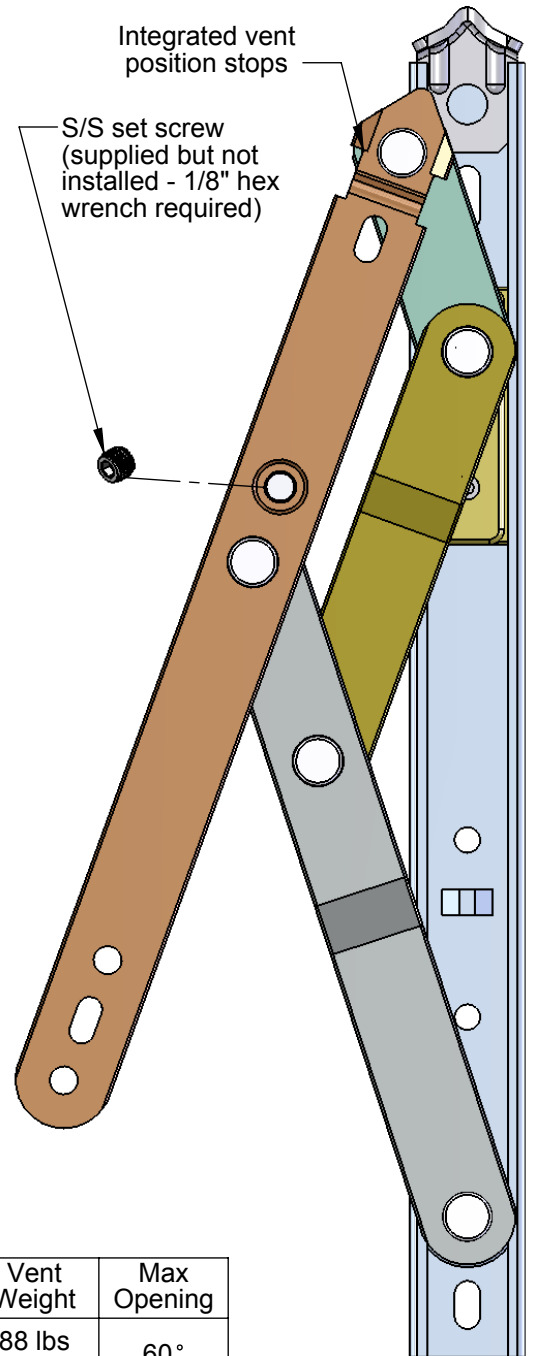
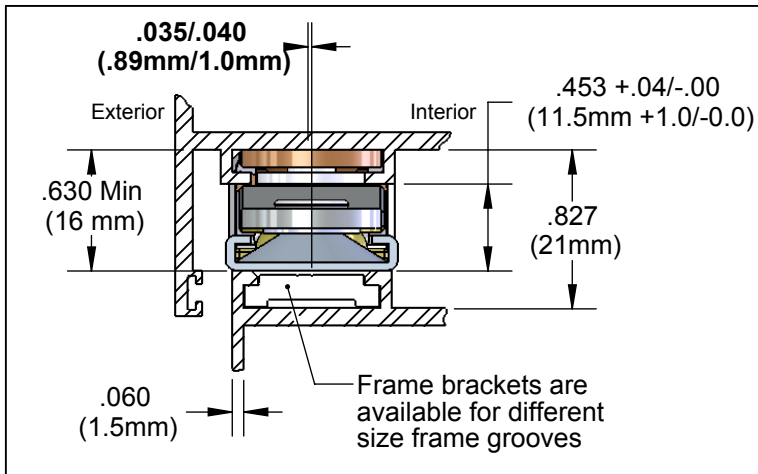
MAGNUM™ Hinges **PATENTED**

(5500/5800 Series 4-Bar Channel Mount Projection Hinges;
Base Hinge, 2000 Series)

Type 1 Eurogroove with .025 offset 5500 Series Hinges (Groove A)



Type 1 Eurogroove with .040 offset 5800 Series Hinges (Groove B)



Part#	Groove	Size	Vent Height	Vent Weight	Max Opening
55-210	A	10"	11.0 - 28.0	88 lbs	60°
58-210	B	(254mm)	(280mm-711mm)	(40.0 kg)	
55-216	A	16"	28.0 - 40.0	125 lbs	49°
58-216	B	(406mm)	(711mm-1016mm)	(56.7 kg)	
55-224	A	24"	40.0 - 60.0	180 lbs	30°
58-224	B	(610mm)	(1016mm-1524mm)	(81.8 kg)	(45° w/o stop)

Tensions Available: Architectural, commercial and loose rivet.
 Hinge Mounting: Use #10 or M5 stainless steel pan head screws.
 Hinge Capacity: Vent size and weight should not exceed the stated capacity of the hinge.
 Opening Degree: For vents in high winds, severely limited opening or limited for life safety, the use of additional Limit/Friction Devices may be required (ex: 177, 419, 716).