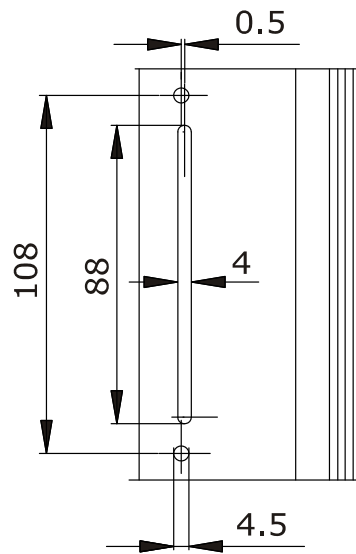
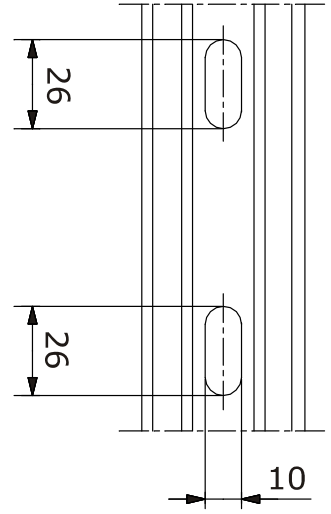


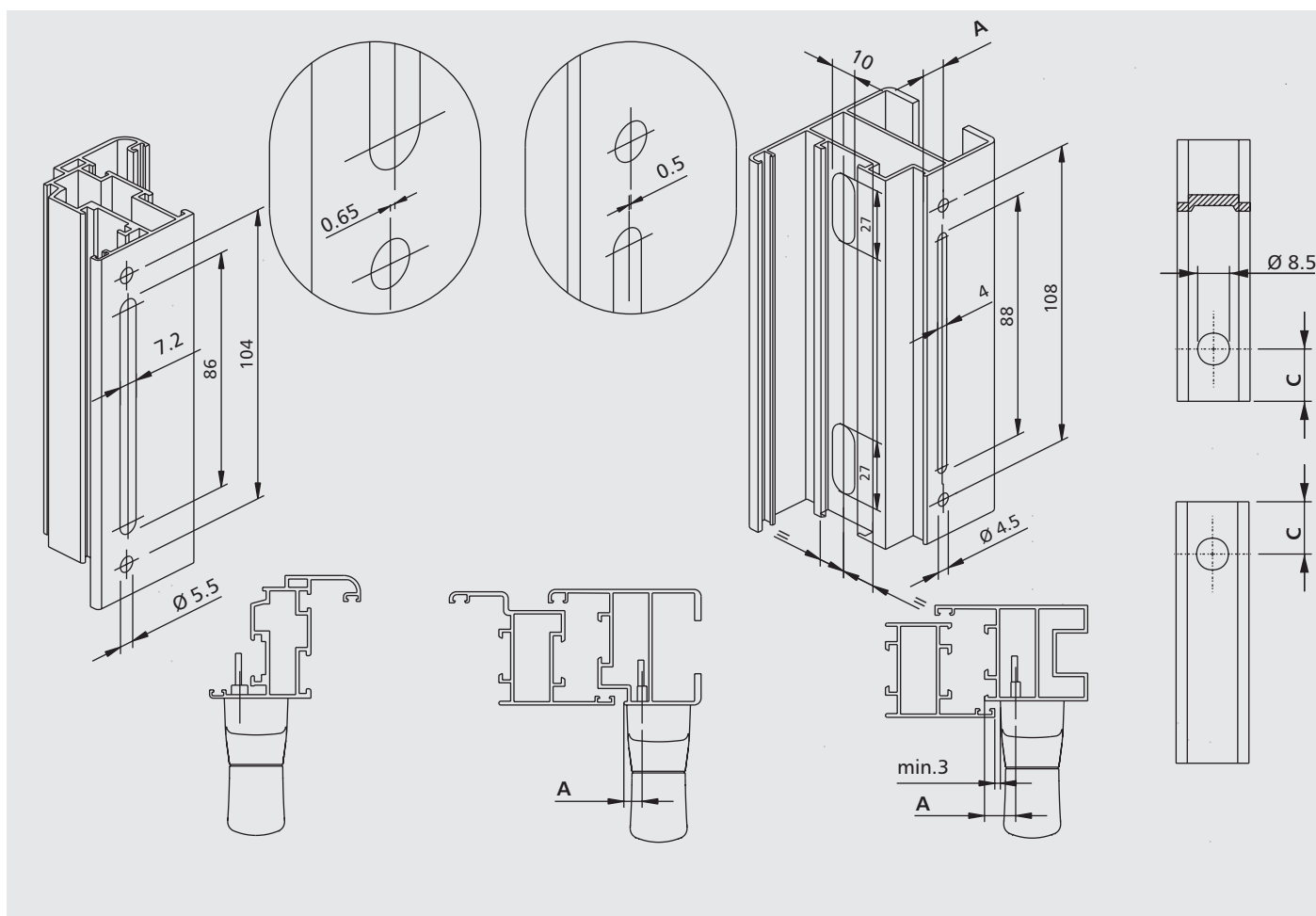
**Machining for connection**



**Machining for internal mechanisms**



**TURANDOT handles for shutters**



Savio S.p.A. reserves the right to modify the technical specifications of products featured in this catalogue at any moment and without warning.

**Finishing table**

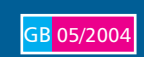
1013 = ivory RAL powder coated	9006 = silver RAL liquid varnish	GR606 = marbled green
1015 = dark ivory RAL powder coated	9010 = white RAL powder coated	RD501 = marbled red
6005 = moss green RAL powder coated	BL10 = matte black powder coated	WT005 = gothic white
8017 = brown RAL powder coated	BR801 = marbled brown	PVD H = bright gold PVD treated
8019 = coffee RAL powder coated	GR50 = green textured	PVD X = satin steel PVD treated
9001 = cream RAL powder coated	GR51 = brown textured	
9005 = black RAL powder coated	GR217 = marbled dark grey	

# NEW TURANDOT



**NEW RANGE OF HANDLES FOR  
WINDOWS AND SHUTTERS**

Innovative fastening system without front screws  
Rounded design  
Dimensions suitable for all shutter profiles  
Full range



SAVIO S.p.A. Via Torino, 25 (S.S. 25)  
10050 Chiusa S. Michele (TO) Italy  
Tel. +39.011.964.34.64 - Fax +39.011.964.34.74  
www.savio.it - e-mail: export@savio.it

**SAVIO**  
Quality and innovation  
for closing systems

9507.431 - REV. 0 - 217054

**SAVIO**

## New TURANDOT for windows and shutters

### FASTENING SYSTEM WITHOUT VISIBLE SCREWS

Fastening is via a rugged steel counter-plate, previously fixed on the profile, thus allowing quick and secure assembly also at the job site.

### ROUNDED SHAPE

Thanks to the rounded shape, without front caps, it can tone in with all rounded profiles and MANON handles.

### DIMENSIONS SUITABLE FOR ALL PROFILES

The compact size of the TURANDOT handles body means that it can be installed on all shutter profiles.

### FULL RANGE

The version with flat handle is designed for installation in narrow space between window and shutter or for applications with insect screen. There is also a version with lock for improved security of the window/shutter.

## New TURANDOT for windows and shutters

Narrow body for application on all shutter profiles.

Soft and exact 90° snap-in positioning.

15 mm stroke for improved gripping in closing.

Galvanized steel gear and racks.

Metric screws for secure fastening to internal mechanisms  
14/5.5/6/7/8/9.

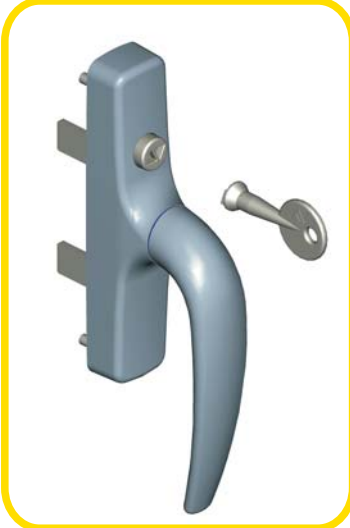
Standard mounting centre distances of 104 and 108 mm.

Surface with sloping tooth to ensure exact coupling between the handle and the aluminium profile, thanks to the progressive tightening of the screw.

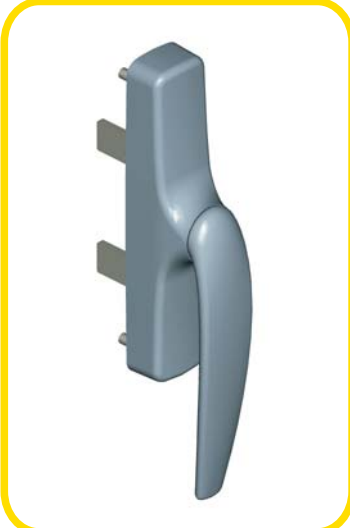
Steel counter-plate for greater ruggedness and easier handling at the job site.

Rear fastening for application on windows.

The new range of Turandot handles is sufficiently complete as to meet all application requirements for this type of product.



**Version with safety lock**  
for improved security; furthermore the lock fitted in the handle body allows easier maneuvering of the handle.



**Version with flat handle**  
Although the handle is flat, the handle can be gripped easily while it allows installations even in narrow space between window and shutter.

Programme of TURANDOT handles for windows and shutters



Art.	Description	Pcs.	Finishes
879.2	(patented) Die-cast metal handle, centre distances 104-108; 2 subscrew plates, 2 hex. socket head cap screws M4x10 and 2 nuts of galvanized steel. <i>(PVD H and PVD X 5 pcs. packaging).</i>	20 0 5	BL10, BR 4, 1013, 1015, 6005, 8017, 8019, 9001, 9005, 9006, 9010, BR801, GR50, GR51, GR217, GR606, RD501, WT005, PVD H, PVH X



Art.	Description	Pcs.	Finishes
879.751	(patented) Die-cast handle bolt with safety lock, centre distances 104-108, 2 subscrew plates, 2 hex. socket head cap screws M4x10 and 2 nuts of galvanized steel, 1 key. <i>(PVD H and PVD X 5 pcs. packaging).</i>	10 0 5	BL10, BR 4, 1013, 1015, 6005, 8017, 8019, 9001, 9005, 9006, 9010, BR801, GR50, GR51, GR217, GR606, RD501, WT005, PVD H, PVH X



Art.	Description	Pcs.	Finishes
879.3	(patented) Die-cast metal handle, flat handle, centre distances 104-108; 2 subscrew plates, 2 hex. socket head cap screws M4x10 and 2 nuts M4 of galvanized steel. <i>(PVD H and PVD X 5 pcs. packaging).</i>	20 0 5	BL10, BR 4, 1013, 1015, 6005, 8017, 8019, 9001, 9005, 9006, 9010, BR801, GR50, GR51, GR217, GR606, RD501, WT005, PVD H, PVH X

Internal mechanism for TURANDOT handle

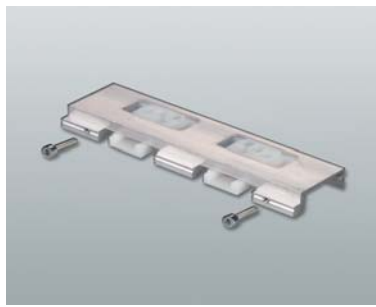


Art.	Description	Pcs.
1475.5	Internal mechanism for art. 879.2/.3/.751 made of aluminium and nylon, 2 nylon spacers. <i>Even suitable for the following articles: 876/.751 - 879 - 881 - 915/.1.</i>	20



Art.	Description	Pcs.
1475.6	Internal mechanism for art. 879.2/.3/.751 made of aluminium and nylon, 2 nylon spacers. <i>Even suitable for the following articles: 876/.751 - 879 - 881 - 915/.1.</i>	20

### Internal mechanism for TURANDOT handle



Art.	Description	Pcs.
1475.7	Internal mechanism for art. 879.2/.3/.751 made of aluminium and nylon, 2 galvanized steel hex. socket head cap screws M4x16. <i>Even suitable for the following articles: 876/.751 - 879 - 915/.1</i>	20



Art.	Description	Pcs.
1475.8	Internal mechanism for art. 879.2/.3/.751 made of aluminium and nylon, 2 galvanized steel hex. socket head cap screws M4x16, 2 nylons spacers. <i>Even suitable for the following articles: 876/.751 - 879 - 915/.1</i>	20



Art.	Description	Pcs.
1475.9	Internal mechanism for art. 879.2/.3/.751 made of aluminium and nylon. <i>Even suitable for the following articles: 876/.751 - 879 - 881 - 915/.1</i>	20

### Connection pieces and pins for TURANDOT cremone bolts



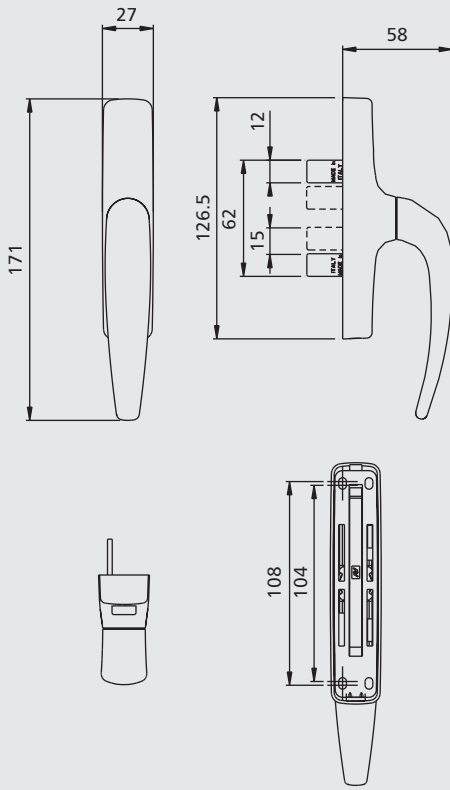
Art.	Description	Pcs.
1484.4	Top and bottom nylon connection pieces (for profiles with groove 15x20).	200
1484.5	Top and bottom nylon connection pieces (for profiles with groove 15x18).	200



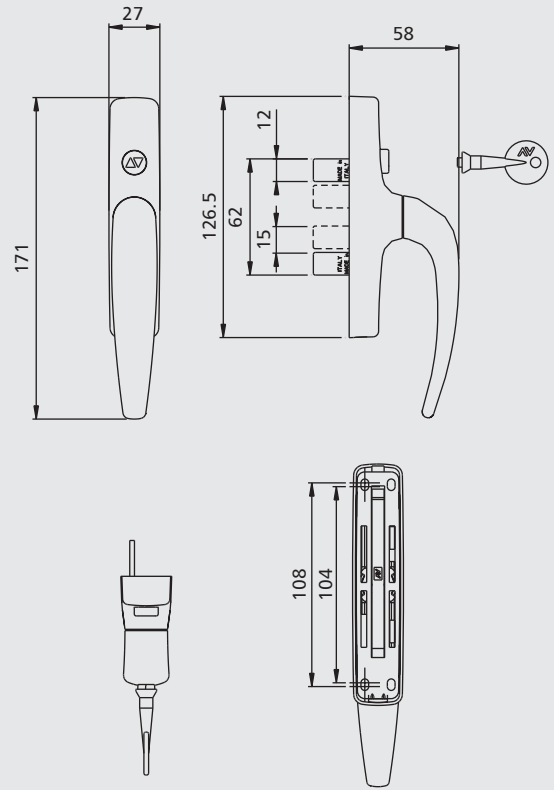
Art.	Description	Pcs.
1475.800	Galvanized steel pin.	40
1475.801	Galvanized steel pin.	40

**TURANDOT handles for shutters**

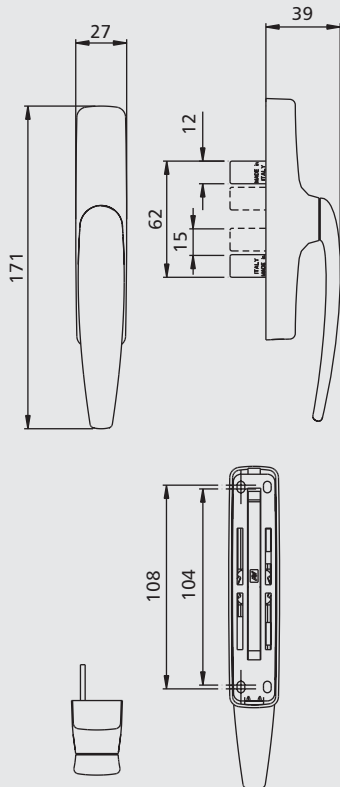
879.2



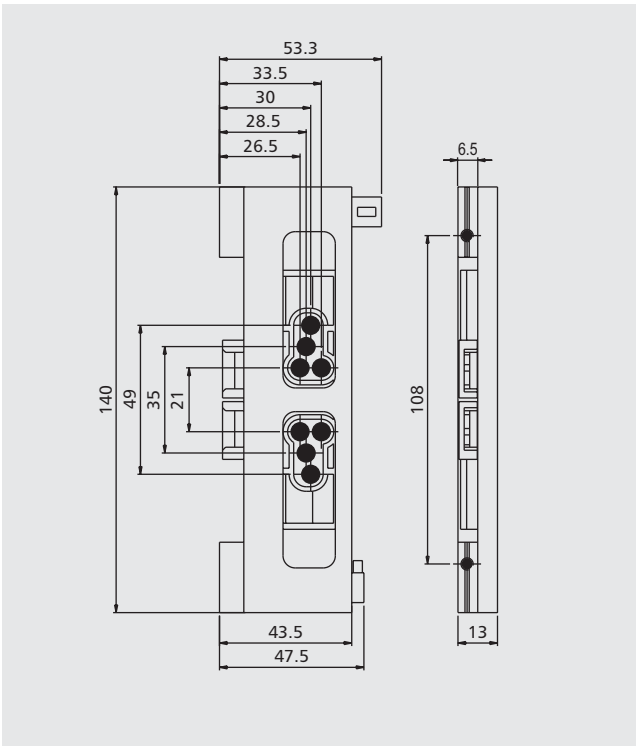
879.751



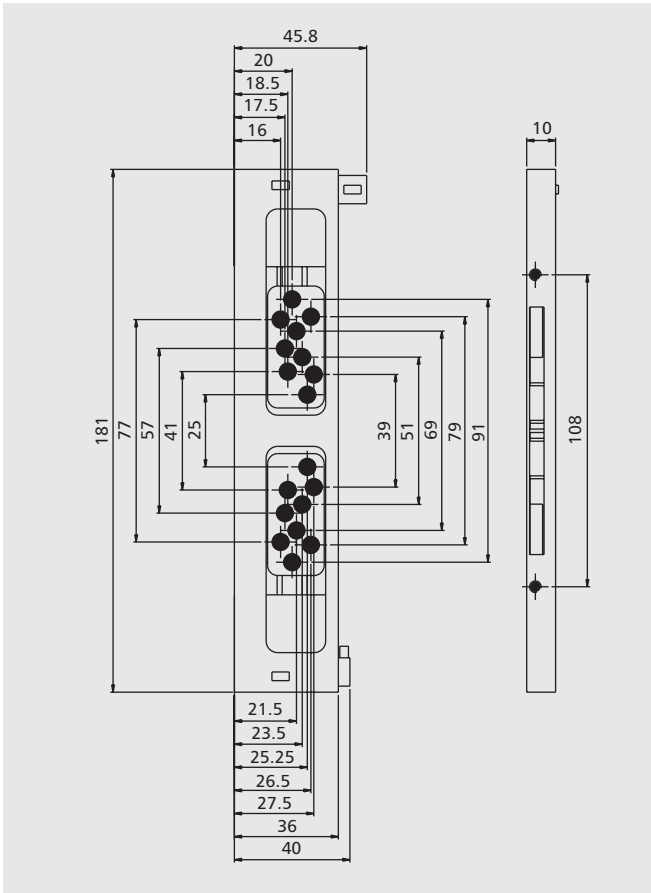
879.3



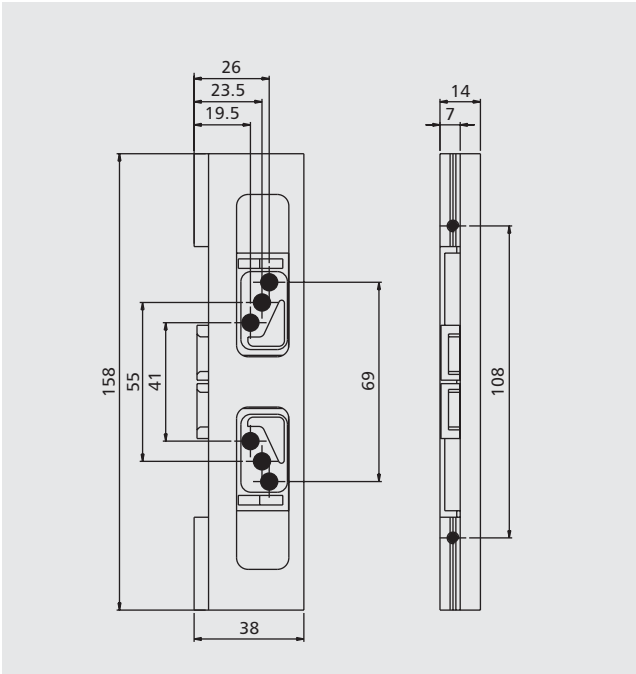
1475.5



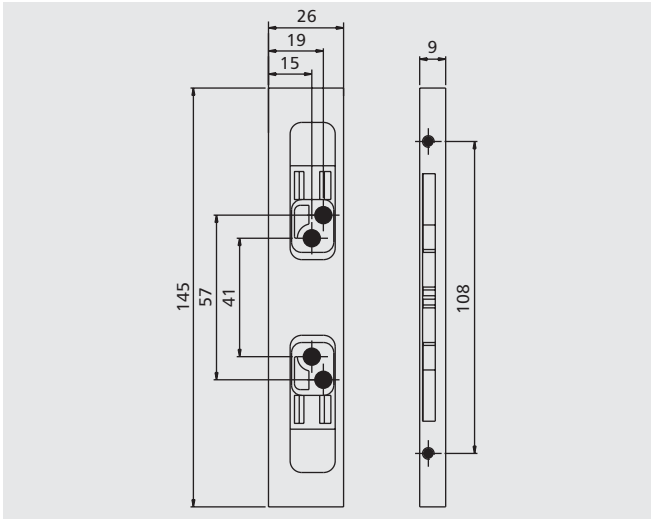
1475.6 - 1475.8



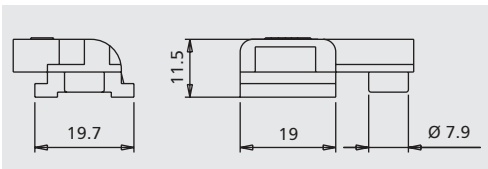
1475.7



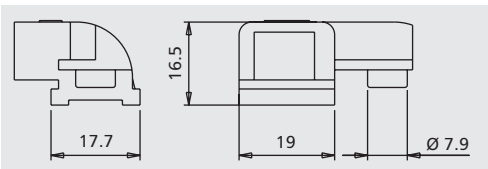
1475.9



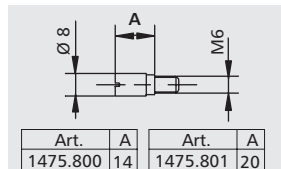
1484.4



1484.5



1475.800/.801





## Suitability table for italian profiles

Extruder	Profile	Profile code	Internal mechanism	Pin	Dimensions*		
					A	B	C
Al System	GLOBAL 45	AS 4516	1475.6	1475.800	9	79	45
	GLOBAL 45	AS 4517	1475.6	1475.800	9	79	45
	GLOBAL 45	AS 4518	1475.6		9		
	GLOBAL 45	AS 4521	1475.6	1475.800	9	79	45
	GLOBAL 45	AS 4527	1475.6	1475.800	9	79	45
	GLOBAL 45	AS 4528	1475.6		9		
	GLOBAL 45	AS 4531	1475.6	1475.800	9	79	45
	GLOBAL 45	AS 4541	1475.6	1475.800	9	79	45
	GLOBAL 45	AS 4574	1475.6		27		
	GLOBAL 45	AS 4575	1475.6		9		
	GLOBAL 45	AS 4577	1475.6		27		
Alcan Alluminio	ECLIPSE	21711	1475.6	1475.800	19	39	25
	ECLIPSE	21712	1475.6	1475.800	20	67	39
	ECLIPSE	21713	1475.5	1475.800	8	9	10
	ECLIPSE	21715	1475.6		14		
	ECLIPSE	21717	1475.6		14		
	ECLIPSE	21720	1475.6	1475.800	20	67	39
	ECLIPSE	21721	1475.5	1475.800	8	9	10
	ECLIPSE	21722	1475.6	1475.800	21	57	34
	ECLIPSE	21750	1475.5	1475.800	7	9	10
	GREEN	21524	1475.6	1475.800	20	67	39
	GREEN	21645	1475.6	1475.800	20	67	39
	GREEN	24536	1475.5	1475.800	10	9	10
	GREEN	24537	1475.5	1475.800	10	9	10
	GREEN	24538	1475.6	1475.801	22	67	39
	GREEN	24549	1475.5	1475.800	10	9	10
	GREEN	24570	1475.5	1475.800	10	9	10
	GREEN	24571	1475.5	1475.800	10	9	10
	POINT	21407	1475.6	1475.800	18	29	20
	POINT	21409	1475.5	1475.800	6	9	10
	POINT	21412	1475.6	1475.800	18	29	20
POINT	24411	1475.5	1475.800	6	9	10	
POINT	24412	1475.5	1475.800	6	9	10	
POINT	24417	1475.5	1475.800	6	9	10	
POINT	24418	1475.6	1475.800	18	29	20	
Alcoa Italia	R 40	800362	1475.6	1475.801	20	79	45
	R 40	800365	1475.7	1475.800	20	29	20
	R 40	800368	1475.7	1475.800	20	29	20
	R 40	800481	1475.6		20		
	R 40	800495	1475.6	1475.801	13	27	19
	R 40	800543	1475.6	1475.801	13	27	19
	R 40	800577	1475.6	1475.801	13	27	19
	R 40	900227	1475.7	1475.800	20	29	20
	R 40	900264	1475.7	1475.800	20	29	20
	R 40	900396	1475.7	1475.800	20	29	20
	R 40	900619	1475.7	1475.800	20	29	20
	R 40	900672	1475.6	1475.801	13	27	19
Alexia Alluminio	ESEDRA GA 53	E 5324	1475.7	1475.800	14	57	34
	ESEDRA GA 53	E 5328	1475.5	1475.801	14	9	10
	PERSIANE	EP 551	1475.6	1475.801	27	39	25
	PERSIANE	EP 552	1475.6	1475.801	27	39	25

Extruder	Profile	Profile code	Internal mechanism	Pin	Dimensions*		
					A	B	C
All.co	ALL.CO 5	VZ 1456	1475.6	1475.800	14	57	34
	ALL.CO 5	VZ 1494	1475.6	1475.800	9	39	25
	ALL.CO 5	VZ 1498	1475.6	1475.800	9	57	34
	ALL.CO 5	VZ 1515	1475.7	1475.800	21	29	20
	ALL.CO 5	VZ 1549	1475.7	1475.800	21	29	20
	EPOCAL	VZ 0673	1475.6		9		
	EPOCAL	VZ 4252	1475.6	1475.800	9	39	25
	EPOCAL	VZ 4253	1475.6		9		
	EPOCAL	VZ 4258	1475.6	1475.800	9	39	25
	EPOCAL	VZ 4259	1475.6		9		
	EPOCAL	VZ 4268	1475.6		25		
	EPOCAL	VZ 4274	1475.6	1475.800	9	39	25
	K 40	CE 024	1475.8	1475.801	12	39	25
	K 40	CE 035	1475.8	1475.801	12	39	25
	K 40	CE 040	1475.8	1475.801	12	39	25
	P4	VZ 0619	1475.6	1475.800	10	29	20
	P4	VZ 0638	1475.6	1475.800	18	79	45
	P4	VZ 0645	1475.6	1475.800	10	29	20
	P4	VZ 0703	1475.6	1475.800	18	29	20
	P4	VZ 0716	1475.6	1475.800	18	79	45
P4	VZ 0723	1475.6	1475.800	18	29	20	
P4	VZ 0728	1475.6	1475.800	10	29	20	
P4	VZ 0729	1475.6	1475.800	18	29	20	
SPRINT	VZ 0673	1475.6		10			
Alu-K	45DS	K 34	1475.6	1475.800	17	29	20
	45DS	K 455	1475.6	1475.800	17	29	20
	PERSIANA SHUTTER	K 494	1475.6	1475.800	17	29	20
	PERSIANA SHUTTER	K 495	1475.6	1475.800	17	29	20
Alumec	PERSIANA DS 45	DS 4502	1475.6	1475.800	16	79	45
	PERSIANA DS 45	DS 4503	1475.6	1475.800	16	29	20
	PERSIANA DS 45	DS 4504	1475.6	1475.800	16	79	45
	PERSIANA DS 45	DS 4513	1475.6		18		
	PERSIANA DS 45	DS 4514	1475.6		18		
	SYNTHESIS 45	ZN6-45095	1475.9	1475.801	24	45	28
Aser		AR 52299	1475.9		29		
D.F.V.		CL 53051	1475.5	1475.800	9	23	17
Demal	PRESTIGE 46	ML 214	1475.6		24		
	PRESTIGE 46	ML 215	1475.6		24		
	PRESTIGE 46	ML 229	1475.6	1475.801	26	39	25
	PRESTIGE 46	ML 236	1475.6	1475.801	26	39	25
	PRESTIGE 46	ML 241	1475.6	1475.800	26	79	45
	PRESTIGE 46	ML 249	1475.6		9		
	PRESTIGE 46	ML 261	1475.6		9		
Eta	E410	E 41106	1475.5	1475.800	8	23	17
	E410	E41107	1475.5	1475.800	7	37	24
	E410	E41111	1475.5	1475.800	9	23	17
Hydro Aluminium Systems	DOMAL 40	Pr.19723	1475.6	1475.800	11	57	34
	DOMAL 40	Pr.19724	1475.6	1475.800	17	65	38
	DOMAL 40	Pr.19744	1475.6	1475.800	17	65	38
	DOMAL 40	Pr.21697	1475.6	1475.800	17	65	38
	GELOSIA	Pr.19723	1475.6	1475.800	17	65	38
	GELOSIA	Pr.19724	1475.6	1475.800	17	65	38
	GELOSIA	Pr.24457	1475.5	1475.800	6	9	10
	GELOSIA	Pr.26217	1475.5	1475.800	6	9	10
	SUNNY FIORENTINA	Pr.26240	1475.6		17		
	SUNNY FIORENTINA	Pr.27359	1475.6		9		

## Suitability table for italian profiles

Extruder	Profile	Profile code	Internal mechanism	Pin	Dimensions*		
					A	B	C
Hydro Aluminium Systems	SUNNY FIORENTINA	Pr.27362	1475.6		10		
	SUNNY GENOVESE	Pr.50026	1475.6	1475.801	21	57	34
	SUNNY GENOVESE	Pr.50028	1475.6	1475.801	18	57	34
		Pr.50102	1475.9	1475.801	25	45	28
Indinvest	ALPHA 445	6402	1475.6	1475.800	9	79	45
	ALPHA 445	6403	1475.6	1475.800	9	79	45
	ALPHA 445	6404	1475.6	1475.800	9	79	45
	ALPHA 445	6419	1475.6	1475.800	9	79	45
	ALPHA 445	6420	1475.6	1475.800	9	79	45
	ALPHA 445	6422	1475.6	1475.800	9	79	45
	ALPHA 445	7836	1475.6	1475.800	9	79	45
	ALPHA 445	8428	1475.6	1475.800	9	79	45
	GOLD 400	40064	1475.8	1475.801	9	39	25
	GOLD 400	40065	1475.8	1475.801	9	39	25
	GOLD 400	40181	1475.8	1475.804	16	13	12
	GOLD 400	40200	1475.6	1475.801	9	39	25
	GOLD 400 ILLARY	40073	1475.8	1475.801	9	39	25
	GOLD 400 KOSMICA	40074	1475.8	1475.801	9	39	25
	GOLD 400 NACO	40109	1475.8	1475.801	9	39	25
	GOLD 400 SOLARIA	40133	1475.8	1475.801	9	39	25
	Kikau	K60	002/60	1475.6		26	
K80		002/80	1475.6	1475.801	15	45	28
Metra	CLASSICA	NC 3939	1475.6		13		
	CLASSICA	NC 3940	1475.6		13		
	CLASSICA	R 3293	1475.6	1475.800	13	57	34
	CLASSICA	R 3297	1475.6	1475.800	13	57	34
	CLASSICA	R 3553	1475.6		13		
	FIRENZE	R 3293	1475.6	1475.800	13	57	34
	FIRENZE	R 3296	1475.6		13		
	FIRENZE	R 3297	1475.6	1475.800	13	57	34
	FIRENZE	R 3462	1475.6		17		
	FIRENZE	R 3553	1475.6		13		
	GENOVA	R 3292	1475.6		13		
	GENOVA	R 3293	1475.6	1475.800	13	57	34
	GENOVA	R 3296	1475.6		13		
	GENOVA	R 3297	1475.6	1475.800	13	57	34
	GENOVA	R 3462	1475.6		17		
	ORIENTABILE	NC 3700	1475.6	1475.800	11	57	34
	ORIENTABILE	NC 3938	1475.6		11		
	SCURETTO RUSTICO	NC 3692	1475.6	1475.800	11	57	34
	SCURETTO RUSTICO	NC 3730	1475.6		12		
	TRIESTE	NC 3737	1475.6	1475.800	10	57	34
TRIESTE	NC 3927	1475.6		10			
Ocma	LIGURIA	Fc 004703	1475.6		10		
	LIGURIA	Fc 004706	1475.6	1475.804	22	57	34
	LIGURIA	Fc 004711	1475.6		22		
	LIGURIA	Fc 004716	1475.6		11		
	LIGURIA	Fc 004718	1475.6		27		
	SV 39	Sv 037022	1475.6	1475.800	20	29	20
	SV 39	Sv 037023	1475.6	1475.800	20	29	20
SV 39	Sv 037025	1475.6	1475.800	20	79	45	
Passerini	EKIP EVOLUZIONE	ZK 11251	1475.5	1475.800	7	9	10
	EKIP EVOLUZIONE	ZK 11252	1475.5	1475.800	7	9	10
	EKIP EVOLUZIONE	ZK 12033	1475.6	1475.800	10	79	45
	EKIP EVOLUZIONE	ZK 12034	1475.6	1475.800	18	79	45
	EKIP EVOLUZIONE	ZK 12720	1475.5	1475.800	7	9	10

Extruder	Profile	Profile code	Internal mechanism	Pin	Dimensions*		
					A	B	C
Passerini	EKIP EVOLUZIONE	ZK 13737	1475.5	1475.800	7	9	10
	EKIP EVOLUZIONE	ZK 13738	1475.5	1475.800	7	9	10
	EKIP40	ZK 08144	1475.6	1475.800	10	79	45
	EKIP40	ZK 08146	1475.6	1475.800	10	79	45
	EKIP40	ZK 08435	1475.6	1475.800	10	79	45
	EKIP40	ZK 09994	1475.6	1475.800	18	29	20
	EKIP40	ZK 10108	1475.6	1475.800	10	79	45
	EKIP40	ZK 11085	1475.6	1475.800	10	79	45
	EKIP40	ZK 11759	1475.6	1475.801	19	79	45
	EKIP40	ZK 12033	1475.6	1475.800	10	79	45
	EKIP40	ZK 12034	1475.6	1475.800	18	29	20
	EKIP50	ZK 08802	1475.6	1475.800	10	13	12
	EKIP50	ZK 08803	1475.6	1475.800	10	13	12
	EKIP50	ZK 11864	1475.6	1475.800	10	13	12
	NUOVO EKIP 40	YK 16023	1475.6	1475.800	13	79	45
	NUOVO EKIP 40	YK 16024	1475.6	1475.800	17	57	34
Profilati	EKU 53	4202	1475.5	1475.800	9	9	10
	EKU 53	5679	1475.5	1475.800	27	9	10
	EKU 53	5680	1475.5	1475.800	7	9	10
	PE 40	4085	1475.6	1475.801	26	29	20
	PE 40	4092	1475.6	1475.801	26	29	20
	PE 40	4142	1475.6	1475.801	26	29	20
	PE 40	4208	1475.6	1475.801	11	39	25
	PE 40	5699	1475.6	1475.801	11	39	25
	PE 40	6057	1475.6		26		
	PE 40	6073	1475.6	1475.801	15	39	25
	PE 40	7121	1475.6		19		
	Tecno	PERSIANA	3003	1475.6	1475.800	11	79
PERSIANA		3004	1475.6		11		
PERSIANA		3005	1475.6	1475.800	11	79	45
PERSIANA		3024	1475.6		11		
PERSIANA		3038	1475.6	1475.800	11	79	45
TC 12		2198	1475.6		21		
TC 12		2485	1475.6		26		
TC 12		11869	1475.6	1475.800	21	79	45
TC 12		12230	1475.6	1475.800	18	79	45
TC 40		10211	1475.9		10		
TC 50		21715	1475.6		14		

\* For A, B and C dimensions, see machining drawings in the last page.