

**EUROPEAN PROFILE CYLINDER WITH KNOB**



**Functions**

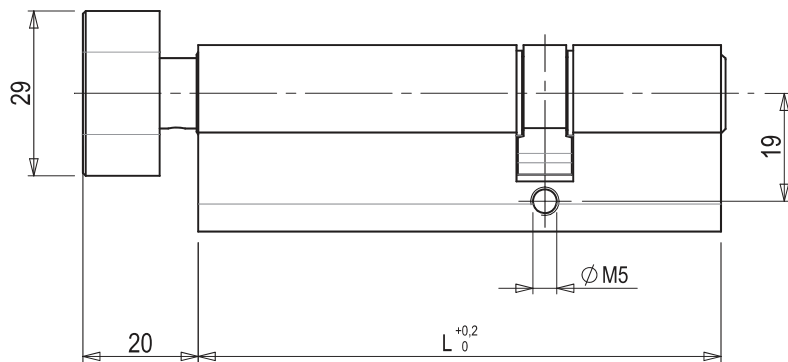
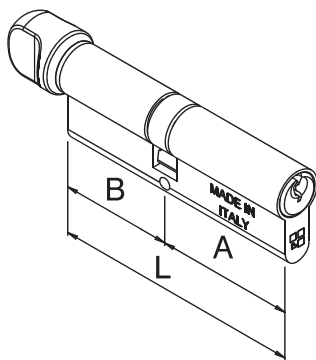
European profile cylinder with knob.

**Technical Features**

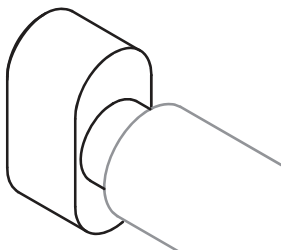
European profile cylinder with knob with 5-pin coding system.  
Projecting DIN cam.  
Stack 0.5 mm.  
The product is supplied with a set of 3 keys in a ring and countersunk flat head fixing screw.

**Materials**

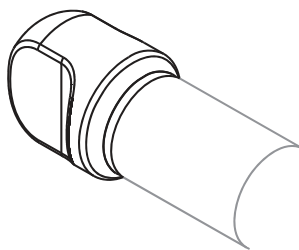
Cylinder body in nickel-plated brass  
Nickel-plated brass cylinder  
DIN cam in sintered steel  
Pins and counter-pins in brass  
Springs in stainless steel  
Nickel-plated brass key  
Nickel-plated brass knob  
Zinc plated steel fixing screw



Knob type 1



Knob type 2



**Standard**

Knob type 3

