

**PRIMA HANDLE COUPLE FOR DOORS**
**02472**
**Applications**

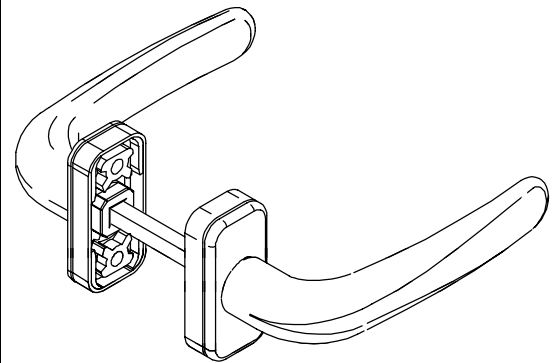
Pair of LH/RH handles with stop mounted on the jamb or mid-rail of doors.

**Finishes**

Paint finish in RAL colours and exclusive GIESSE cremone shades (dark brown and silver)

**Package**

Box of 20 pairs


**Characteristics**

Features a patented mechanism which guarantees perfect horizontal positioning of the handle.

The PRIMA handle comprises an extruded aluminium base, screw cover and sheath, and a rotor, which together with a flexible element, controls LH/RH movement, stopping and horizontal positioning.

The die-cast aluminium handle blends perfectly with the PRIMA cremone range.

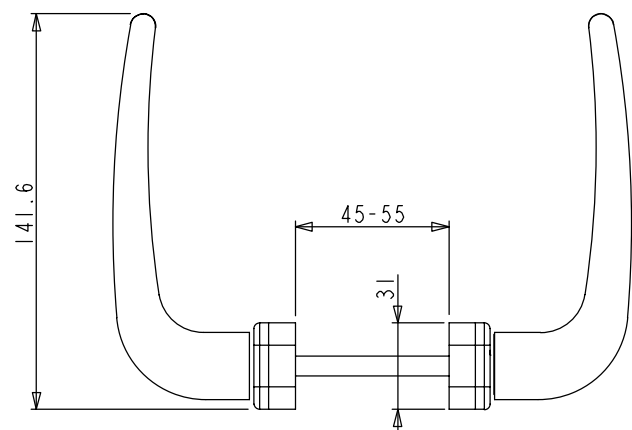
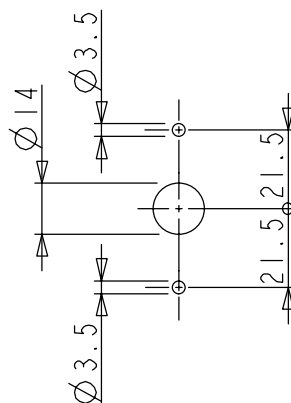
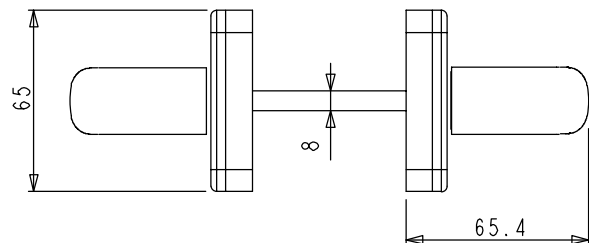
The handle is protected and finished using the GIESSE painting system which features high surface quality, uniform colour and excellent abrasion resistance. The components are pre-treated to ensure resistance to surface peeling and sub-corrosion.

**Parts supplied**

1 x 8x8x110 mm square pin  
4 x 4.2x19 mm galvanised crosshead screws

**Materials**

Reinforced black nylon base  
Aluminium cover, sheath and handle  
Galvanised zamak rotor  
High tensile steel springs  
Galvanised steel square pin and screws


**Compatible with the following systems**

SEE THE GIESSE ACCESSORIES INDEX (WHERE-USED)