

**LOCK FOR BALCONY DOOR B.35
WITH BOLT**

04646

Functions

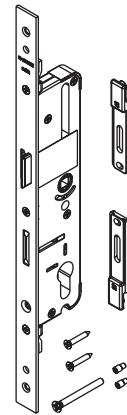
Lever Activated Terrace Door Lock with deadbolt, 35 mm backset, and 85 mm spindle-cylinder spacing

Finish

Base finish

Packaging

Box of 5 pieces



Technical Features

Used in combination with polyamide connecting rod and special adapters (included), the lock allows for multiple locking points that can be easily varied in size, quantity, and location around the door and frame. Available with spring latch and deadbolt or just spring latch. Compatible with European profile cylinders. Latch and deadbolt operated by 8 mm spindle (not included). Handle-spindle-center-to-cylinder-center distance is 85 mm. Key locks/unlocks movement of latch, deadbolt, and adapters. Flat stainless steel faceplate, 378 x 22 x 2.5 mm. Galvanized zamak deadbolt, 6 mm thick x 20 mm long. Galvanized zamak reversible spring latch (right/left). Zamak adapters for connection to polyamide rod. Stainless steel housing. Galvanized steel internal and concealed components.

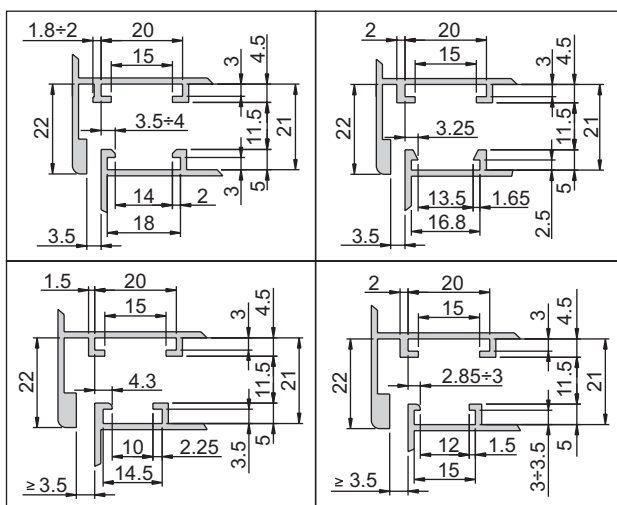
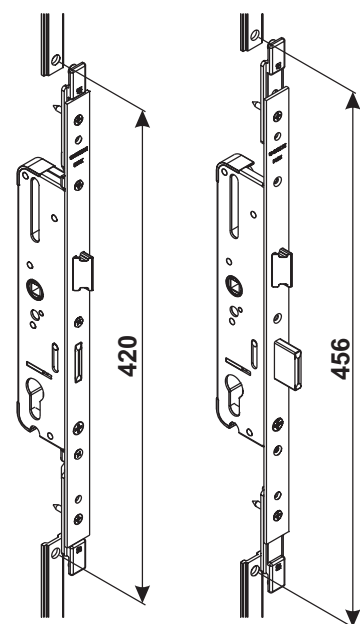
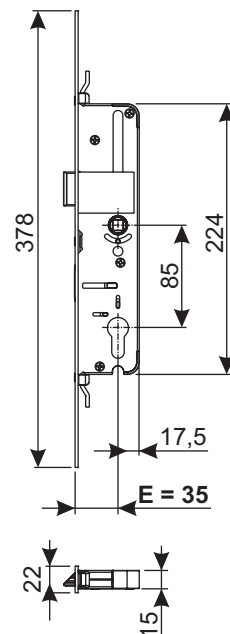
Note: A pair of handles (inside/outside) is required to operate the lock.

Parts

Instruction sheets

Compatible accessories

Adjustable faceplate for Eurogroove, Giesse cylinders.



Impiego