

DEPENDABLE PRODUCT NEWS

TUBELITE®

DEPENDABLE

LEADERS IN ECO-EFFICIENT STOREFRONT,
CURTAINWALL AND ENTRANCE SYSTEMS

Date: **08/09/2011**

Engineering Bulletin: **080911**

Effective Date: **7/01/2011**

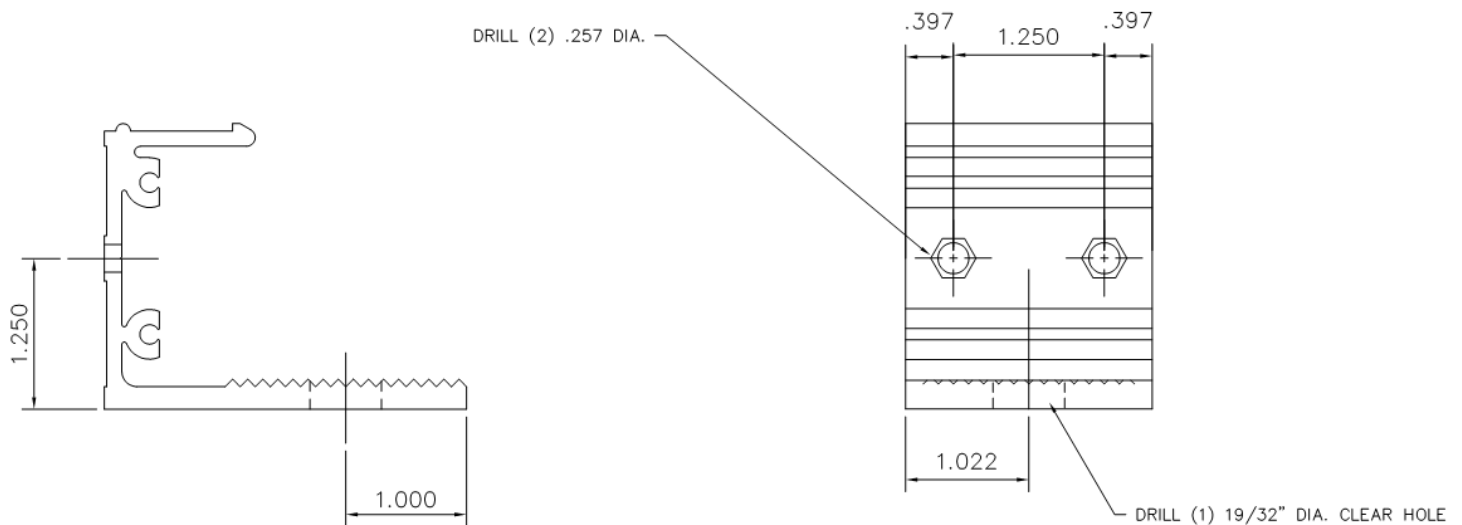
Released By: **Tram Trinh**

Subject: **P2056C head Anchor for E2680**

Description: Releasing head anchor for extrusion E2680 2 1/2" back member,
400 CW system.

List Price -\$8.00

P 2056C



SHOP NOTE: FABRICATE FROM E-4TB110

TO BE USED WITH E2680