



**MAY BLOCK**<sup>®</sup>  
Sunshades by TUBELITE<sup>®</sup>



- Quality you expect
- Unique detachable mounting bracket for reglazing
- Styles and finishes that compliment any building
- Minimizes solar heat gain

**TUBELITE**<sup>®</sup>  
**DEPENDABLE**

LEADERS IN ECO-EFFICIENT STOREFRONT,  
CURTAINWALL AND ENTRANCE SYSTEMS

## SUN CONTROL BENEFITS

- Minimize solar heat gain through efficient shade factor design
- Reduce cooling costs and energy use
- Detachable mounting bracket designed to allow reglazing
- Variety of blade and outrigger styles available
- Finishes to match or contrast with Curtainwall framing
- Distinctive architectural design

Effectively reduce Solar Heat Gain by shading vision glass areas of the building envelope with Tubelite's MAXBLOCK<sup>®</sup> sun shades. Cooling costs can be significantly lowered while still allowing natural light to fill the workspace.

MAXBLOCK<sup>®</sup> Sunshades are designed for use with Tubelite Curtainwall and Storefront products.

A unique, easy to install outrigger bracket fastens at the pressure plate area and allows removal of individual sections of Sunshade for reglazing applications.

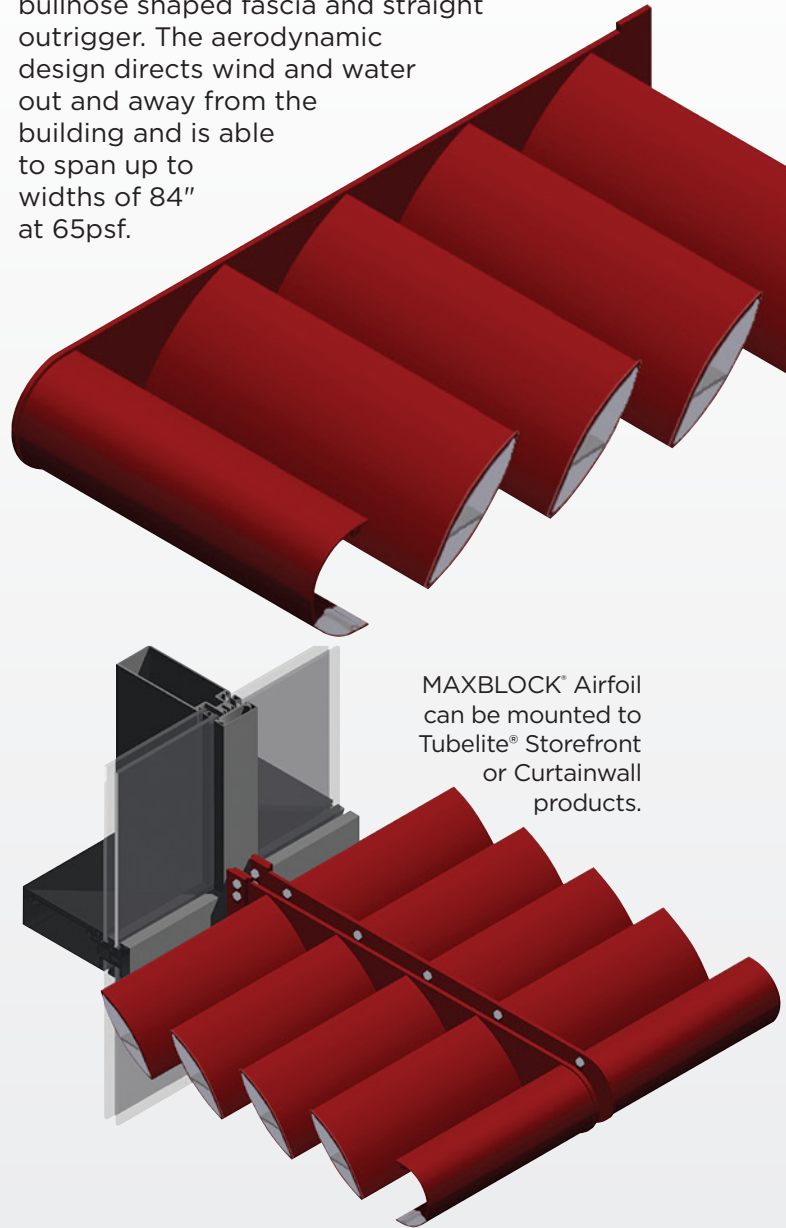
A variety of architectural profiles are available to compliment surrounding elements. Three outrigger types with corresponding blade styles and fascia caps can be selected. Each type can then be extended from the building in projections of 20", 25", 30", and 35" to provide the desired performance. Blades are attached to the outriggers using simple screw spline connections.

MaxBlock sunshades can help reduce energy cost for cooling and contribute to the following LEED v4 categories: Recycled Content, Regional Materials, Sustainable Purchasing, Sustainably Sourced Materials, and Daylight and Views.<sup>†</sup>

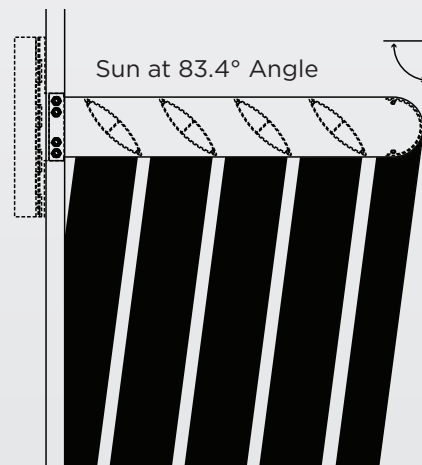
<sup>†</sup> Estimate the Solar Heat Gain Coefficient on the glass by geography using our convenient tables. See Tubelite's technical data in the full product information binder.

## AIRFOIL DESIGN

**Airfoil 5" blade:** This model has a bullnose shaped fascia and straight outrigger. The aerodynamic design directs wind and water out and away from the building and is able to span up to widths of 84" at 65psf.



MAXBLOCK<sup>®</sup> Airfoil can be mounted to Tubelite<sup>®</sup> Storefront or Curtainwall products.



25" straight outrigger with Airfoil Blade shown:  
30 degrees Latitude North, Summer Solstice, High Noon. Shade factor 80%.\*

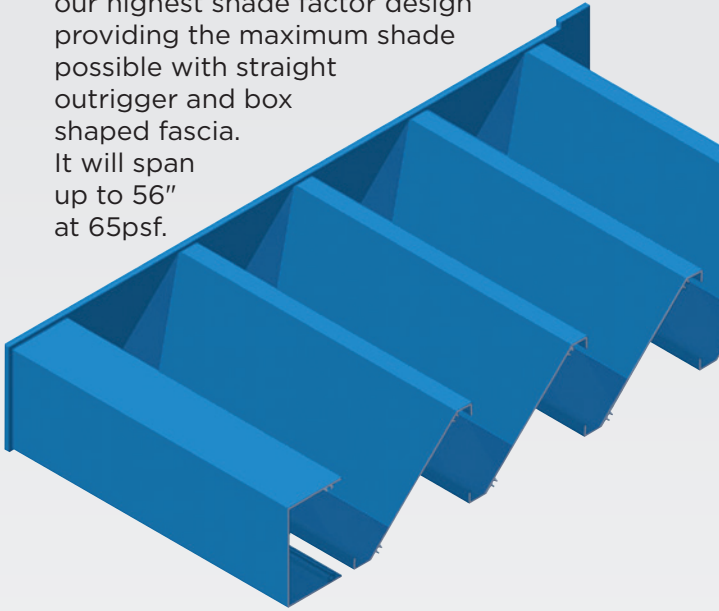
\*See Tubelite's technical manual for a complete set of Shading Table data.



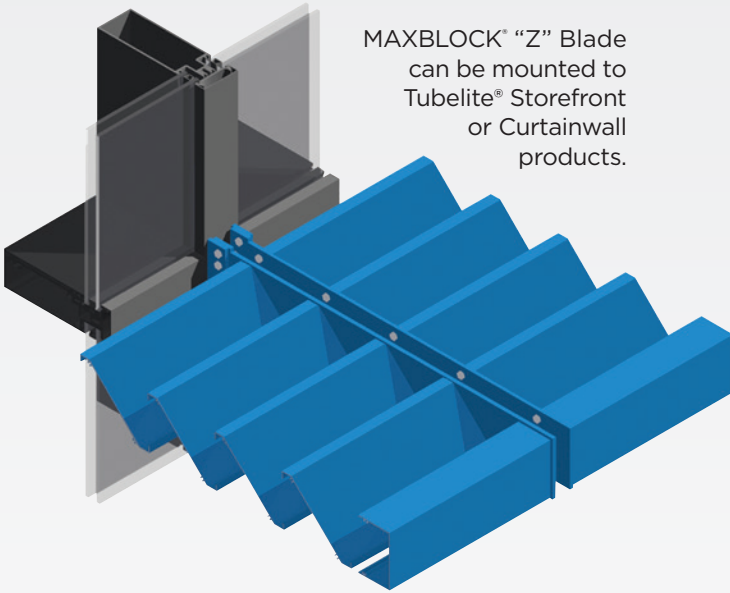


## “Z” BLADE DESIGN

**“Z” Blade 5¼” blade:** This shape is our highest shade factor design providing the maximum shade possible with straight outrigger and box shaped fascia. It will span up to 56” at 65psf.

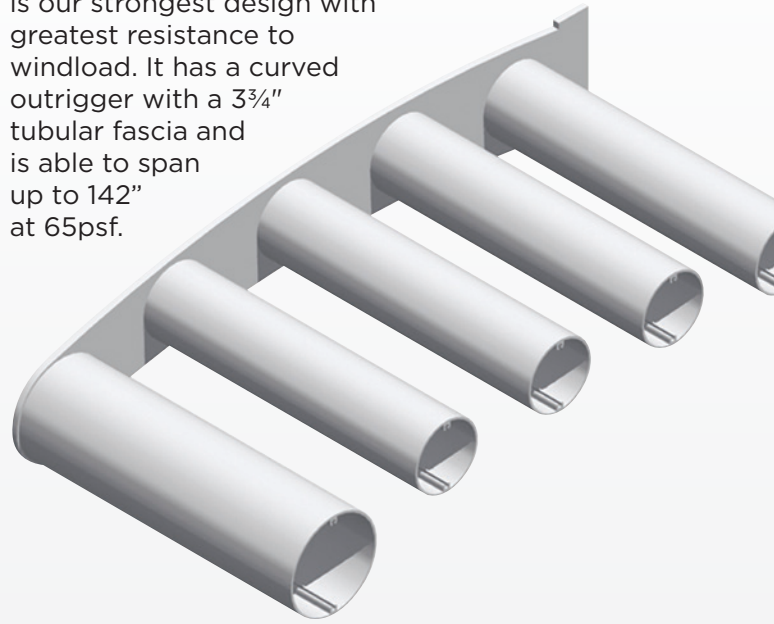


MAXBLOCK® “Z” Blade can be mounted to Tubelite® Storefront or Curtainwall products.

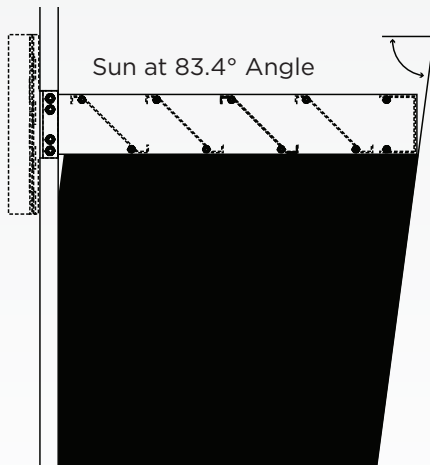


## TUBULAR DESIGN

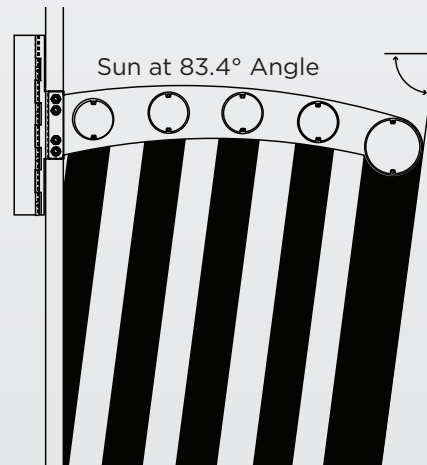
**Tubular 2¾” round blade:** This is our strongest design with greatest resistance to windload. It has a curved outrigger with a 3¾” tubular fascia and is able to span up to 142” at 65psf.



MAXBLOCK® Tubular can be mounted to Tubelite® Storefront or Curtainwall products.



25” straight outrigger with “Z” Blade shown:  
30 degrees Latitude North, Summer Solstice, High Noon.  
Shade factor 97%.\*



25” curved outrigger with Tubular Blade shown:  
30 degrees Latitude North, Summer Solstice, High Noon.  
Shade factor 63%.\*

\*See Tubelite’s technical manual for a complete set of Shading Table data.

\*See Tubelite’s technical manual for a complete set of Shading Table data.

# OUTRIGGERS & SPANS

## MAXBLOCK® IS OFFERED IN 4 DEPTHS

20" outrigger has 3 blades, spans 144"\* max. at 65psf

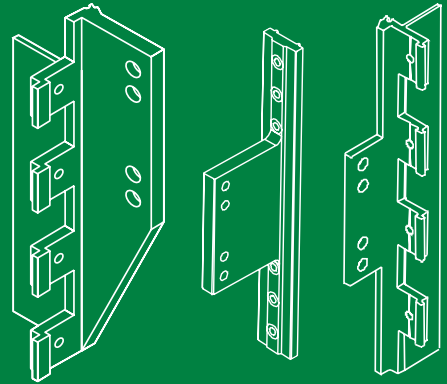
25" outrigger has 4 blades, spans 144"\* max. at 65psf

30" outrigger has 5 blades, spans 120"\* max. at 65psf

35" outrigger has 6 blades, spans 90"\* max. at 65psf

These outriggers connect to Tubelite's Storefront or Curtainwall with a unique bracket that doubles as a pressure plate, and allows removal of individual sections without affecting the wall system.

\*Sunshade blade design and performance may limit outrigger spans. (see inside spread)



# STANDARD & CUSTOM FINISHES

In addition to our nine standard anodized aluminum finishes, we also offer nineteen standard 70% Kynar painted colors and twelve woodgrain powdercoat finishes.

Custom colors are also available, providing you with an infinite variety. More than a palette of pretty colors, our finishes are tough and backed by some of the best warranties in the industry.

See Tubelite's Standard Finish Color Guides for detailed information on the exceptional performance, integrity and weatherability of our durable aluminum finishes. These guides also gives specifications for color retention, erosion resistance and gloss retention of our high-quality finishes.

## AAMA 2605 10 YEAR FINISH WARRANTY

70% Kynar premium painted finishes are guaranteed for 10 years against fading, chalking, and gloss reduction.

# TUBELITE®

**DEPENDABLE**

LEADERS IN ECO-EFFICIENT STOREFRONT,  
CURTAINWALL AND ENTRANCE SYSTEMS

3056 Walker Ridge Dr. NW, Suite G  
Walker, Michigan 49544

800-866-2227  
www.tubeliteinc.com

