

# 300ES<sup>®</sup> High Performance Thermal Curtainwall

## A break from high energy costs!

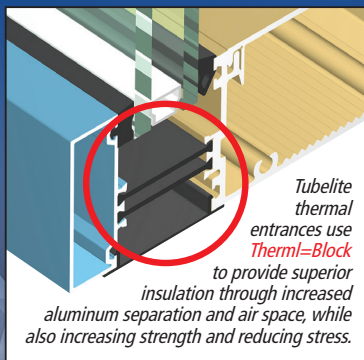
Tubelite 300ES Curtainwall Series Framing is designed for superior thermal performance using Therml=Block insular technology, featuring System U-Factor as low as 0.31 and Condensation Resistance Factor (CRF) up to 81 using 1" insulating glass.

The exterior face has a 2-1/4" sightline and available in 6" and 8" depths. Ideal for curtainwall applications up to four stories and the inside glazing feature offers reduced field installation time and expense.

Separate interior and exterior frame members allow different finishes on each.

# Therml=Block<sup>®</sup>

HIGH PERFORMANCE THERMAL FRAMING



*Tubelite thermal entrances use Therml=Block to provide superior insulation through increased aluminum separation and air space, while also increasing strength and reducing stress.*

**TU24000 High Thermal Performance Storefront**

**ALSO USED WITH**

**TerraPorte 7600 Terrace Door**

Compton Family Ice Arena, South Bend, IN

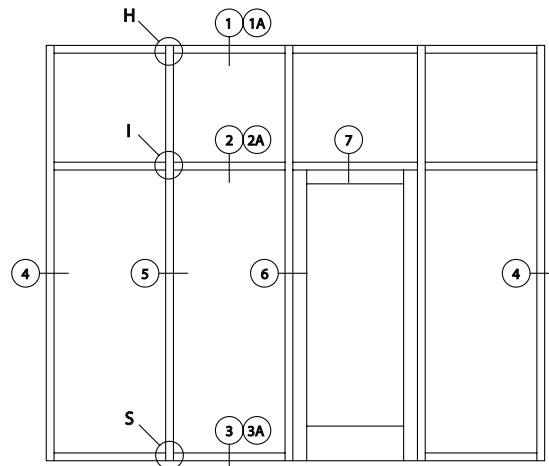
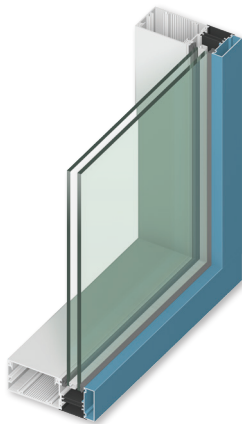
# TUBELITE<sup>®</sup>

**DEPENDABLE**

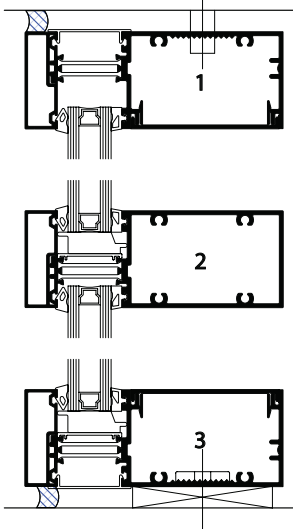
LEADERS IN ECO-EFFICIENT STOREFRONT, CURTAINWALL AND ENTRANCE SYSTEMS

# 300ES<sup>®</sup> Curtainwall Series Framing

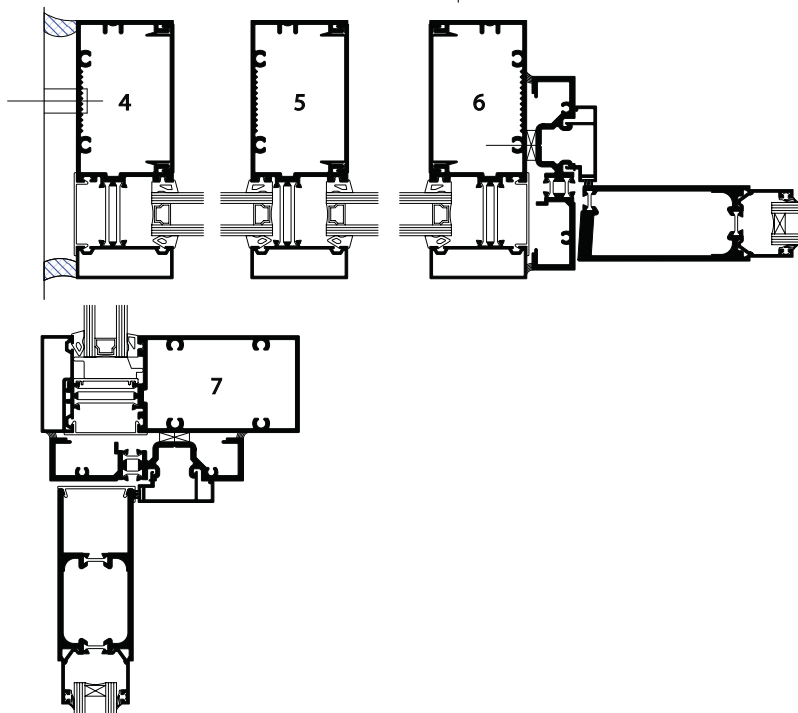
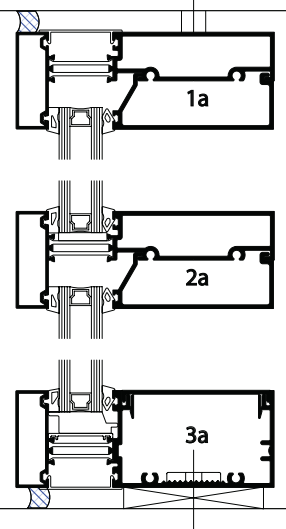
**Thermal-Block**  
HIGH PERFORMANCE THERMAL FRAMING



## Outside Glazed



## Inside Glazed



### System Features:

- 31% reduction in thermal transmittance (Uc) over pressure bar curtainwall systems – Tubelite 400 Series
- Dynamic water testing to 15 psf
- Fast, easy screw spline assembly saves labor and cost
- Blocks interior frost buildup
- Inside and outside glazing options
- Recycled Aluminum Extrusion Option - [www.EcoLuminum.com](http://www.EcoLuminum.com)
- Use with Tubelite's Medium or Wide Stile Thermal Door for a complete thermal wall system.
- A wide variety of standard anodized and painted colors are available to complement any project with warranted protection, as well as street appeal.

### 300ES Curtainwall Series Product Specifications

**Application:** Low and mid-rise commercial buildings including retail, office, healthcare, schools, etc.

**Description:** 2-1/4" x (6" or 8") inside or outside glazed, screw spline high performance curtainwall

Face Width:	Overall Depths:	Glass:	Air Infiltration:	Water Infiltration:	Structural:	U-Factor**:	CRF:	Acoustic:
2-1/4"	6", 8"	1"	0.06 CFM/Ft.2 @ 6.24 PSF	15 PSF – Static 15 PSF – Dynamic	40 PSF – Design 67.5 PSF – Overload	0.30 – 6" 0.31 – 8"	72 – 6" 81 – 8"	31 STC 26 OITC

\*\* U-Factor per NFRC 100: COG = 0.24 with warm edge spacer, 1-3/4" x 4-1/2" non-thermal frame.

Refer to the U-Factor table at: [www.tubeliteinc.com/products/window-wall/300es-curtainwall/](http://www.tubeliteinc.com/products/window-wall/300es-curtainwall/) for other glass makeups and configurations.

DISCLAIMER: Tubelite takes no responsibility for product selection or application, including, but not limited to, compliance with building codes, safety codes, laws, merchantability or fitness for a particular purpose; and further disclaims all liability for the use, in whole or in part, of this Technical Guide in preparation of project specifications and/or other documents. Technical Guides are subject to change at any time, without notice, and at Tubelite's sole discretion. ©2015 Tubelite Inc.

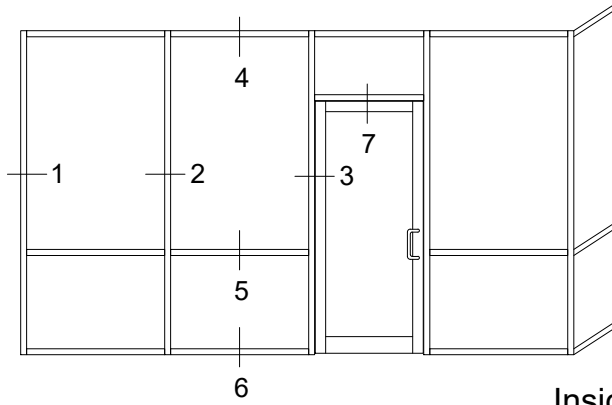
092220

**TUBELITE**<sup>®</sup>  
DEPENDABLE

LEADERS IN ECO-EFFICIENT STOREFRONT,  
CURTAINWALL AND ENTRANCE SYSTEMS

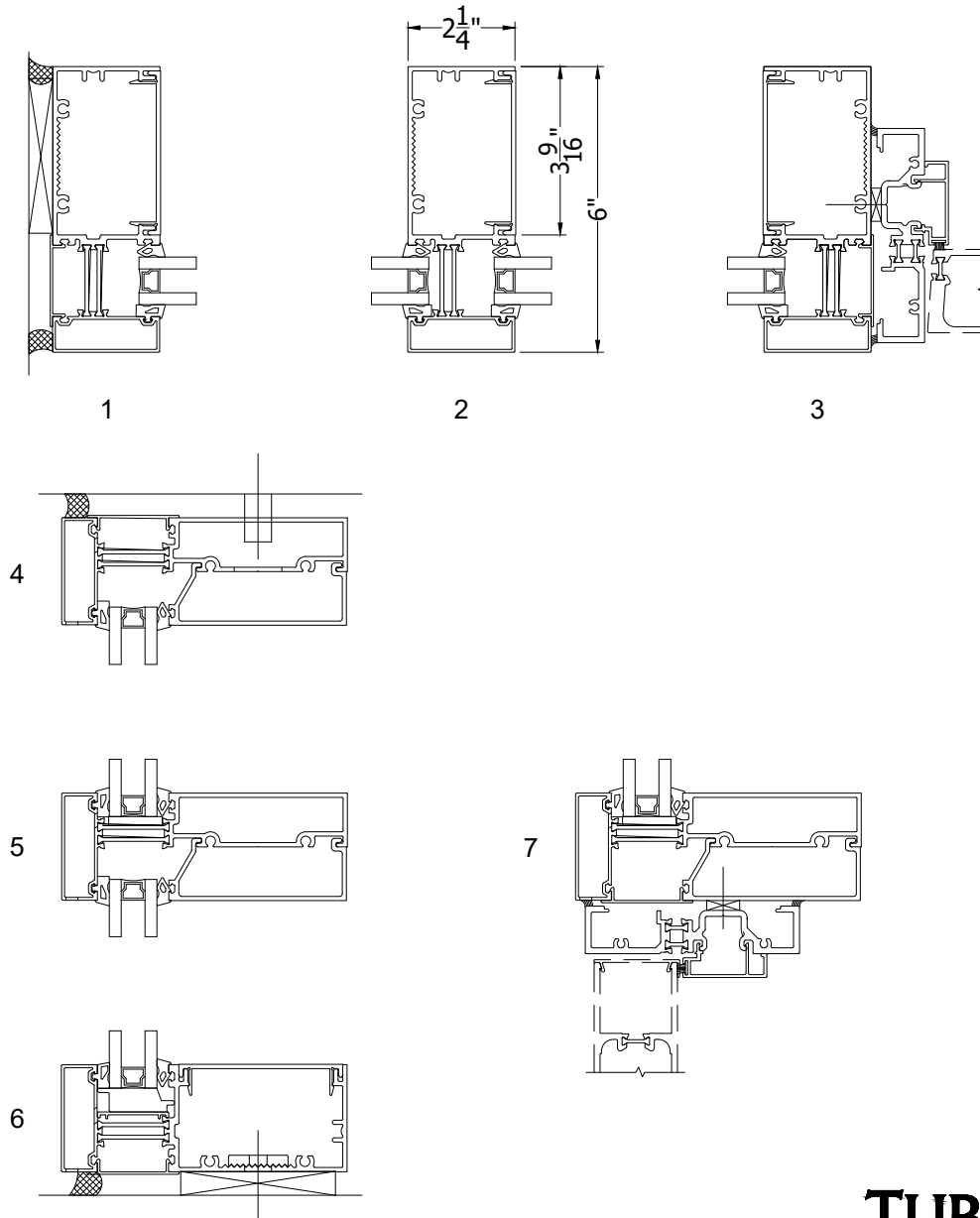
Tubelite reserves the right to change system configuration without prior notice when deemed necessary for product improvements.

Laws and building & safety codes governing the design and use of glazed entrance, window and curtain wall systems vary widely. Tubelite does not control the selection of product configurations, operating hardware or glazing materials, and assumes no responsibility thereof.



Standard Details  
1/4 scale

Inside Glaze



December 2017

**TUBELITE**®

DEPENDABLE

LEADERS IN ECO-EFFICIENT STOREFRONT,  
CURTAINWALL AND ENTRANCE SYSTEMS

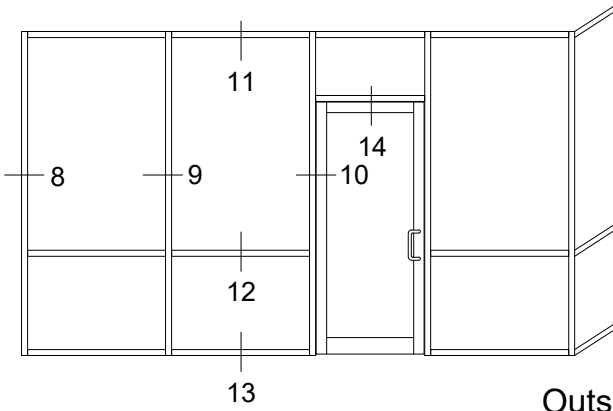
For specific product applications, contact your Tubelite representative.  
Details on this page represent standard details found on our website.  
For more options, visit our website at [www.tubeliteinc.com/\[product\]/](http://www.tubeliteinc.com/[product]/)



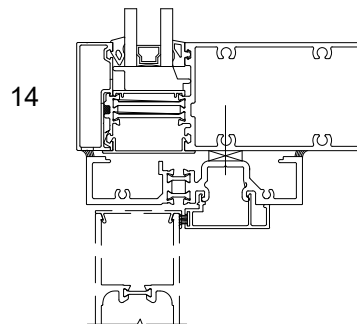
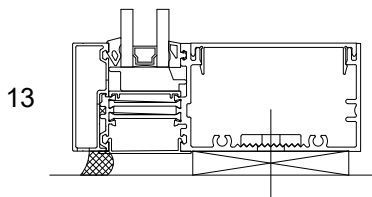
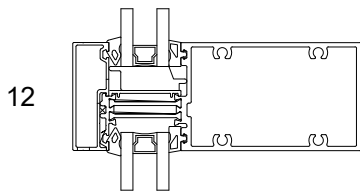
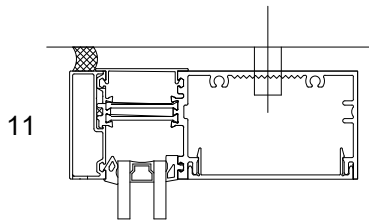
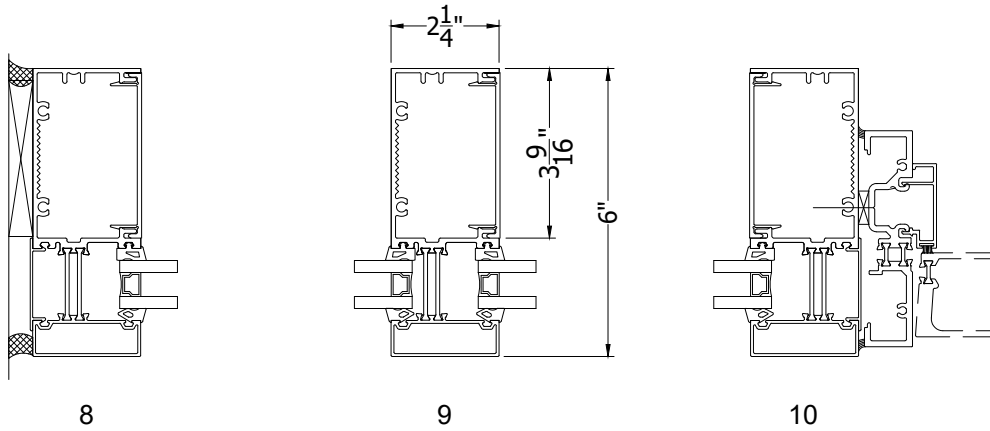
Tubelite reserves the right to change system configuration without prior notice when deemed necessary for product improvements.

Laws and building & safety codes governing the design and use of glazed entrance, window and curtain wall systems vary widely. Tubelite does not control the selection of product configurations, operating hardware or glazing materials, and assumes no responsibility thereof.

Optional Details  
1/4 scale



Outside Glaze



December 2017

**TUBELITE**®

DEPENDABLE

LEADERS IN ECO-EFFICIENT STOREFRONT,  
CURTAINWALL AND ENTRANCE SYSTEMS

For specific product applications, contact your Tubelite representative.  
Details on this page represent standard details found on our website.  
For more options, visit our website at [www.tubeliteinc.com/\[product\]/](http://www.tubeliteinc.com/[product]/)