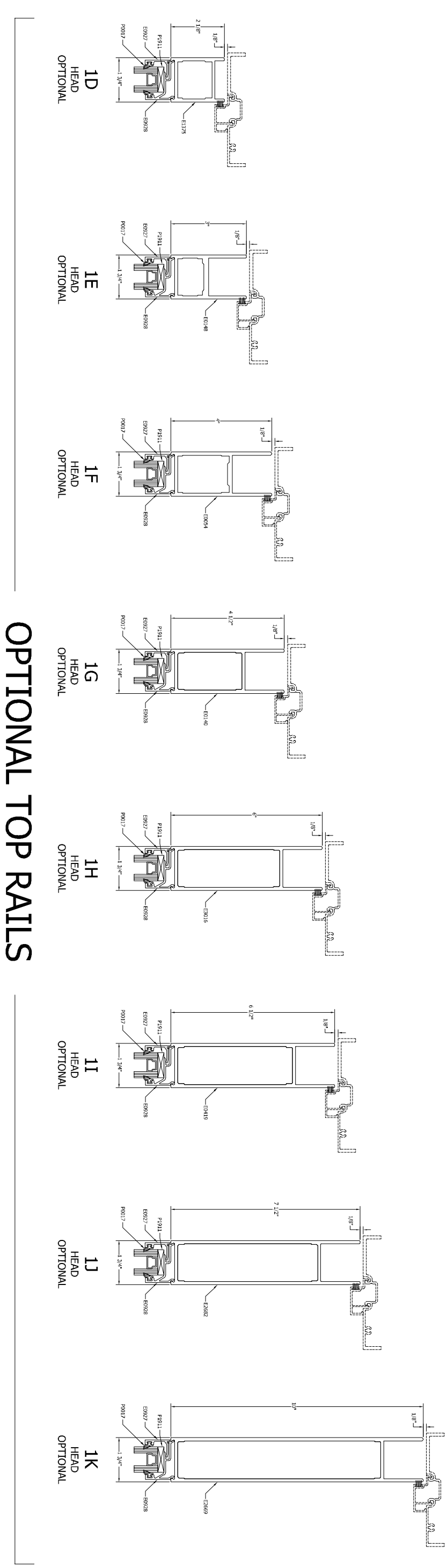
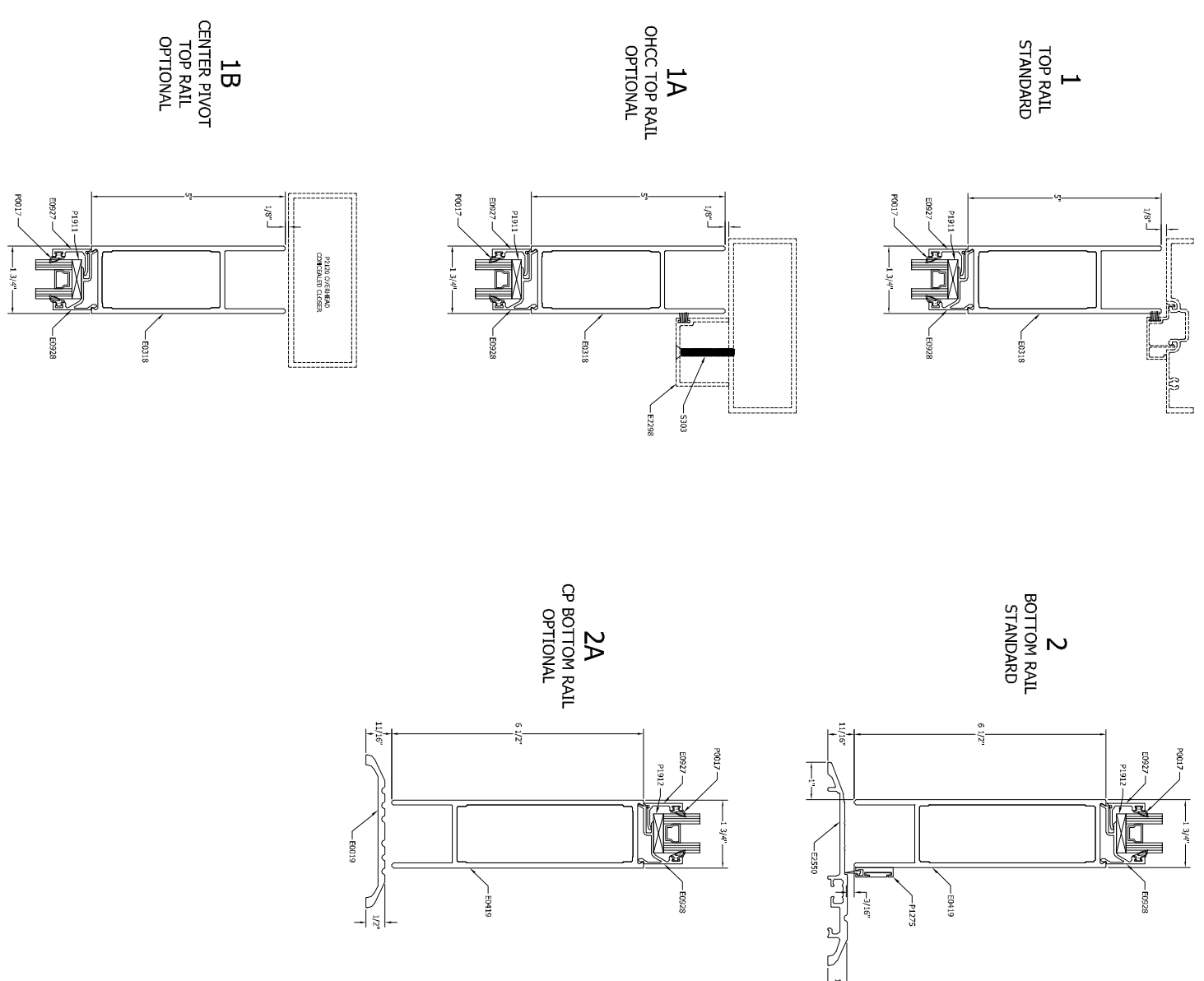
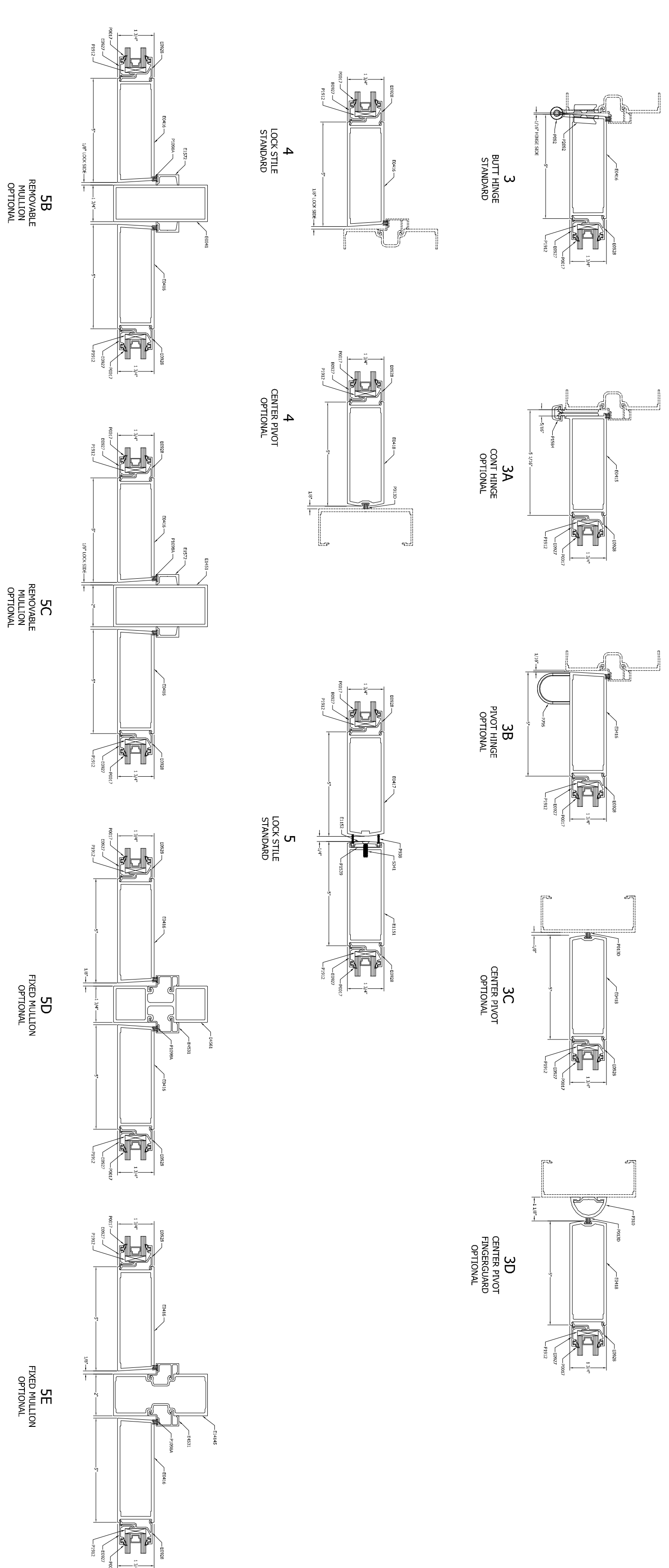


TYPICAL ELEVATION

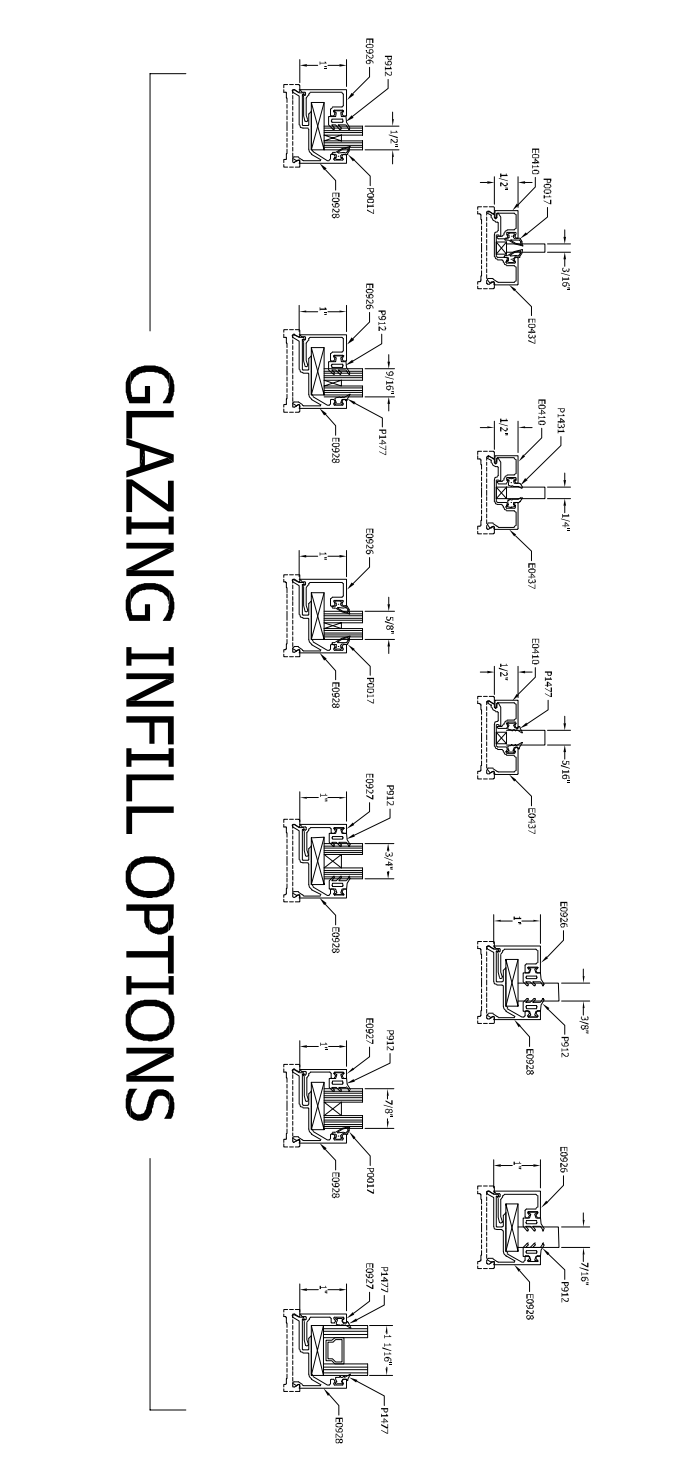
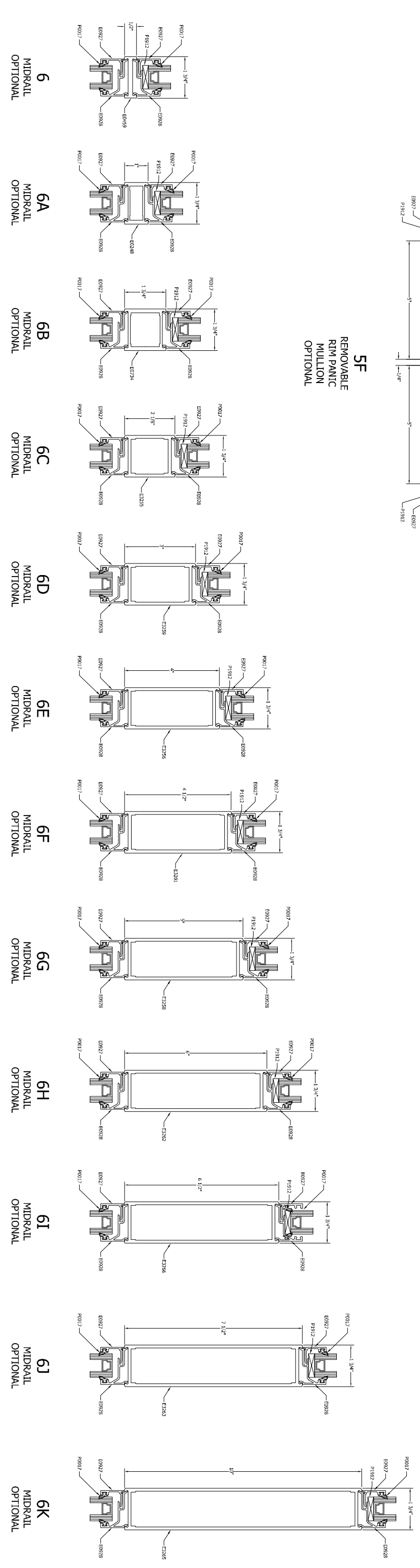
WIDE STILE ENTRANCES



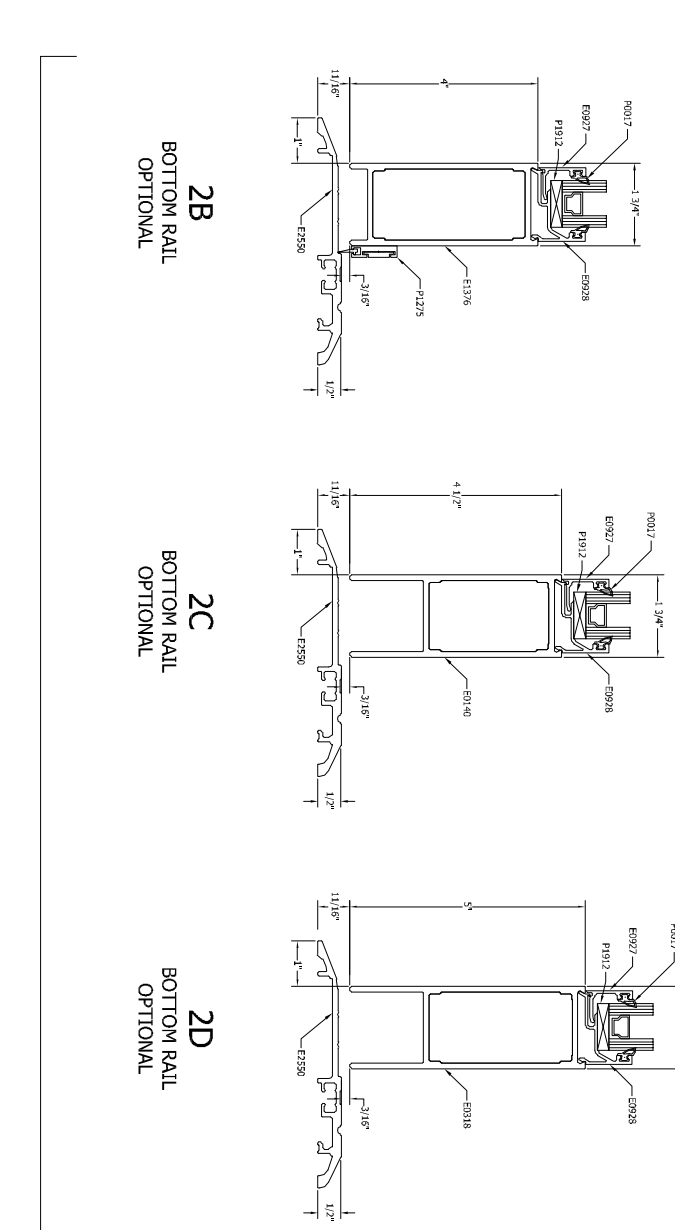
OPTIONAL TOP RAILS



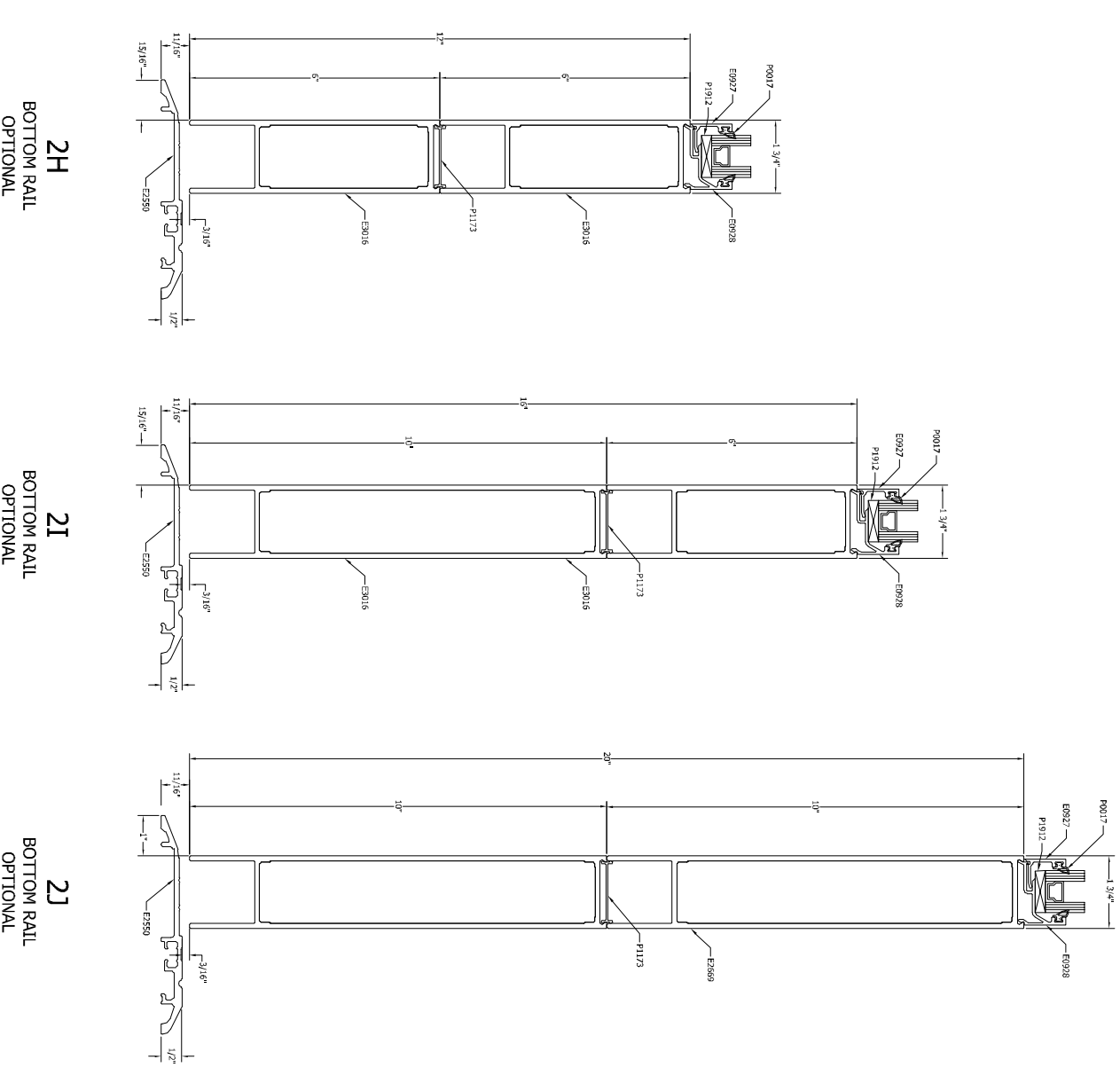
6 - OPTIONAL MIDRAILS



GLAZING INFILL OPTIONS



OPTIONAL BOTTOM RAILS



**TUBELITE**  
 DEPENDABLE

LEADERS IN ECO-EFFICIENT STOREFRONT,  
 CURTAINWALL AND ENTRANCE SYSTEMS  
 Last Revised: 7/15/2021