

## Standard Medium Stile Entrances

Our Standard Medium Entrances are designed for moderate to heavy use in commercial applications. Standard Medium Stile has 4" vertical stiles and top rail, and 6-1/2" bottom rail – optional up to 10" for ADA compliance. The smooth design of Tubelite's door hardware features a convenient pull handle and push bar with lock location 36" above the finished floor.

### Durable Tie-Rod Construction

The strength and flexibility of steel tie-rod construction is what holds it all together and makes our doors endure. Tie-rod assembly is as durable as welded corner construction, but superior in many ways. Tubelite doors can be modified, disassembled or resized right in the field. No other door offers you this much strength and flexibility.



**400 Series  
Curtainwall**

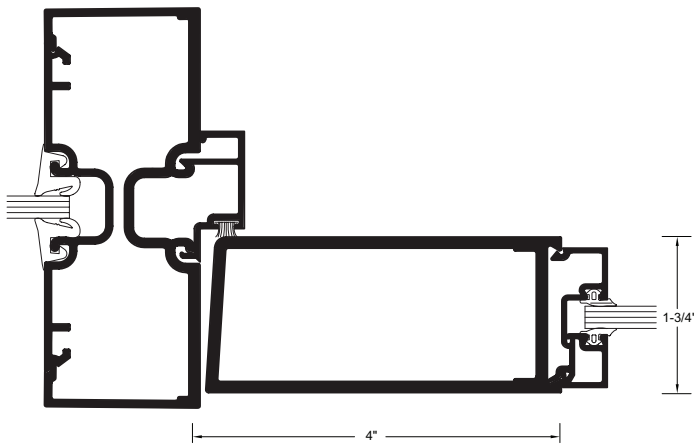
**ALSO  
USED  
WITH**

**14000 Series  
Storefront**

**TUBELITE®**  
**DEPENDABLE**

LEADERS IN ECO-EFFICIENT STOREFRONT,  
CURTAINWALL AND ENTRANCE SYSTEMS

## Standard Medium Stile Entrances



### System Features:

- Standard 4" (101.6Mm) sight line on verticals and top rail
- Deadbolt lock
- 1" dia. push bar and offset pull handle
- Standard infill options 1" (25.4mm), and 1/4" (6.35mm), other infills available
- 3'0" and 3'6" width single doors, 6"0" width pairs of doors
- 7'0" height door leaves

### Optional Features:

- 6" (152.4Mm) and 10" (254mm) bottom rails
- Mortised butt hinges, offset pivots, continuous hinges, center pivots
- Latch locks, cvr & rim panics, electric strikes
- Hardware by others
- 1-3/4" or 2" x 4-1/2" sight line frame member
- Intermediate horizontal or vertical mid-rails
- A wide variety of standard anodized and painted colors are available to complement any project with warranted protection, as well as street appeal.
- Custom height and width doors

Note: Dimensions do not include 1/2" glass stops.

Standard Entrance Series	Medium Stile
<b>Traffic</b>	Moderate to Heavy
<b>Vertical Stile 1-3/4" x</b>	4"
<b>Top Rail 1-3/4" x</b>	4"
<b>Bottom Rail 1-3/4" x</b>	6-1/2" (opt. up to 10")
<b>Maximum Sizes</b>	Single: 4'0" x 9'0" Pair: 8'0" x 9'0"

### Standard Medium Series Product Specifications

**Application:** Retail Stores, Museums, Hotels

**Description:** 4" vertical stiles and top rail, and 6-1/2" bottom rail – optional up to 10" for ADA compliance

Glass:	Air Infiltration:	Structural:	U-Factor** Single Door:	U-Factor** Double Door:
1" std (1/8" – 1")	1.0 CFM / Ft.2 @ 1.57 PSF	30 PSF – Design 45 PSF – Overload	Medium: 0.72	Medium: 0.68

\*\* U-Factor per NFRC 100. COG = 0.24 with warm edge spacer, 1-3/4" x 4-1/2" non-thermal frame. Refer to the U-Factor table at: [www.tubeliteinc.com/products/entrances/standard-medium/](http://www.tubeliteinc.com/products/entrances/standard-medium/) for other glass makeups and configurations.

DISCLAIMER: Tubelite takes no responsibility for product selection or application, including, but not limited to, compliance with building codes, safety codes, laws, merchantability or fitness for a particular purpose; and further disclaims all liability for the use, in whole or in part, of this Technical Guide in preparation of project specifications and/or other documents. Technical Guides are subject to change at any time, without notice, and at Tubelite's sole discretion. ©2017 Tubelite Inc.

071320

**TUBELITE**<sup>®</sup>  
**DEPENDABLE**

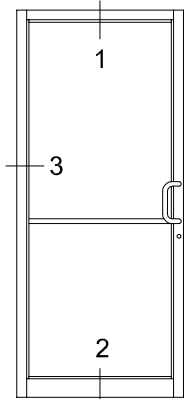
LEADERS IN ECO-EFFICIENT STOREFRONT,  
CURTAINWALL AND ENTRANCE SYSTEMS

# STANDARD ENTRANCES

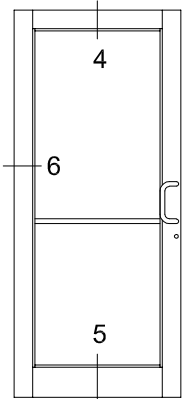
Tubelite reserves the right to change system configuration without prior notice when deemed necessary for product improvements.

Laws and building & safety codes governing the design and use of glazed entrance, window and curtain wall systems vary widely. Tubelite does not control the selection of product configurations, operating hardware or glazing materials, and assumes no responsibility thereof.

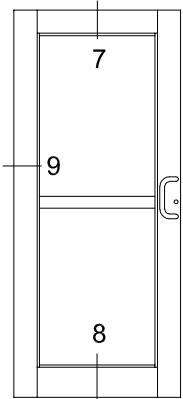
## Standard Details 1/4 scale



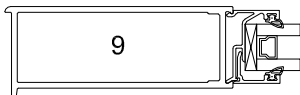
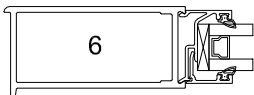
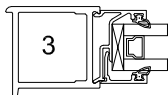
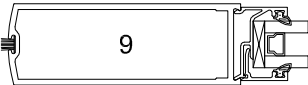
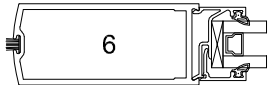
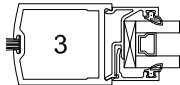
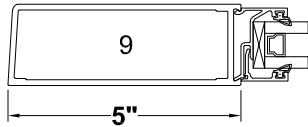
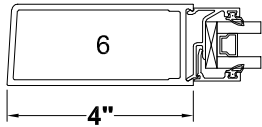
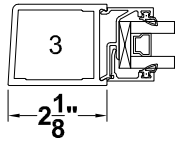
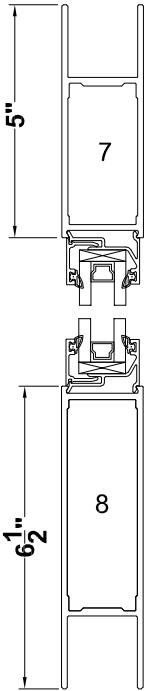
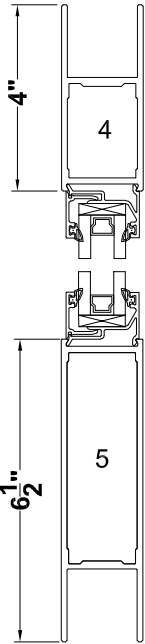
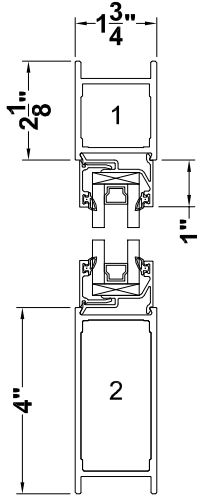
NARROW



MEDIUM



WIDE



FEBRUARY 2020

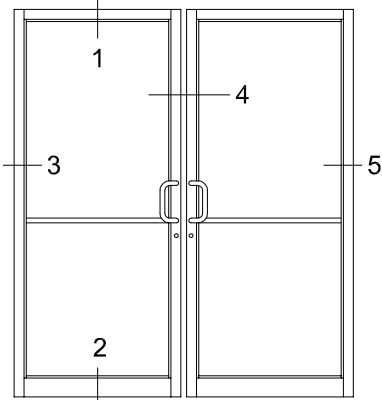
**TUBELITE®**  
DEPENDABLE  
LEADERS IN ECO-EFFICIENT STOREFRONT,  
CURTAINWALL AND ENTRANCE SYSTEMS

For specific product applications, contact your Tubelite representative.  
Details on this page represent standard details found on our website.  
For more options, visit our website at  
[www.tubeliteinc.com/narrow-stile-and-standard-stile/](http://www.tubeliteinc.com/narrow-stile-and-standard-stile/)

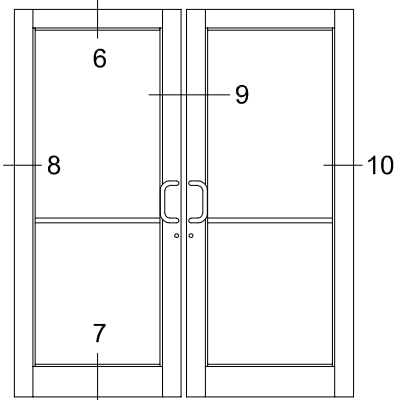
# STANDARD ENTRANCES

Tubelite reserves the right to change system configuration without prior notice when deemed necessary for product improvements.

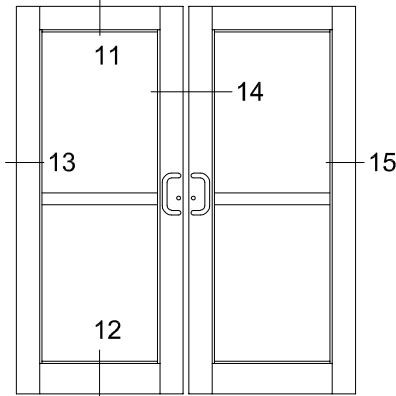
Laws and building & safety codes governing the design and use of glazed entrance, window and curtain wall systems vary widely. Tubelite does not control the selection of product configurations, operating hardware or glazing materials, and assumes no responsibility thereof.



NARROW



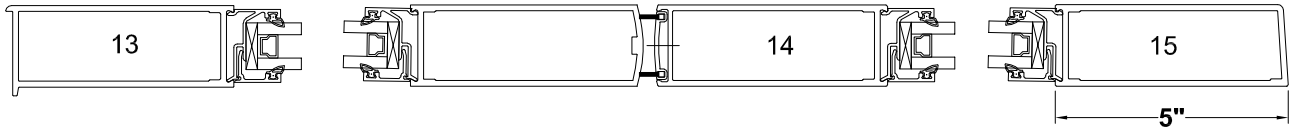
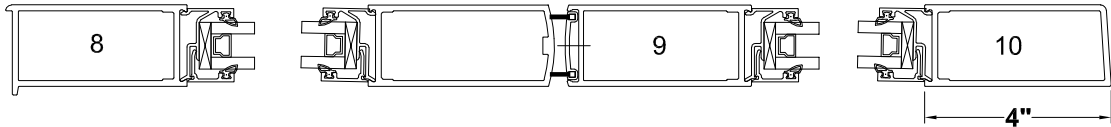
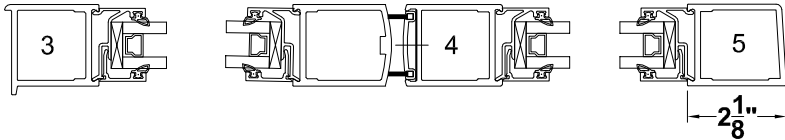
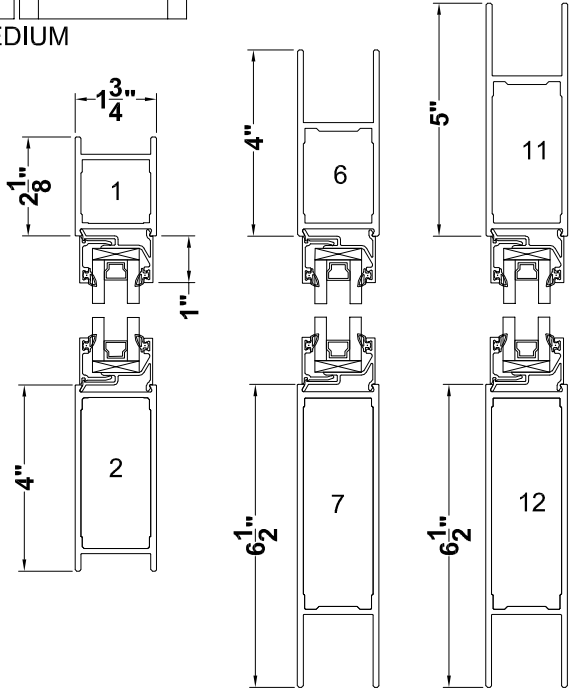
MEDIUM



WIDE

REFER TO GLAZING AND DOOR STOP SECTION FOR GLASS STOP OPTIONS

## Standard Details 1/4 scale



**TUBELITE®**  
 DEPENDABLE  
 LEADERS IN ECO-EFFICIENT STOREFRONT,  
 CURTAINWALL AND ENTRANCE SYSTEMS

FEBRUARY 2020

For specific product applications, contact your Tubelite representative.  
 Details on this page represent standard details found on our website.  
 For more options, visit our website at  
[www.tubeliteinc.com/narrow-stile-and-standard-stile/](http://www.tubeliteinc.com/narrow-stile-and-standard-stile/)

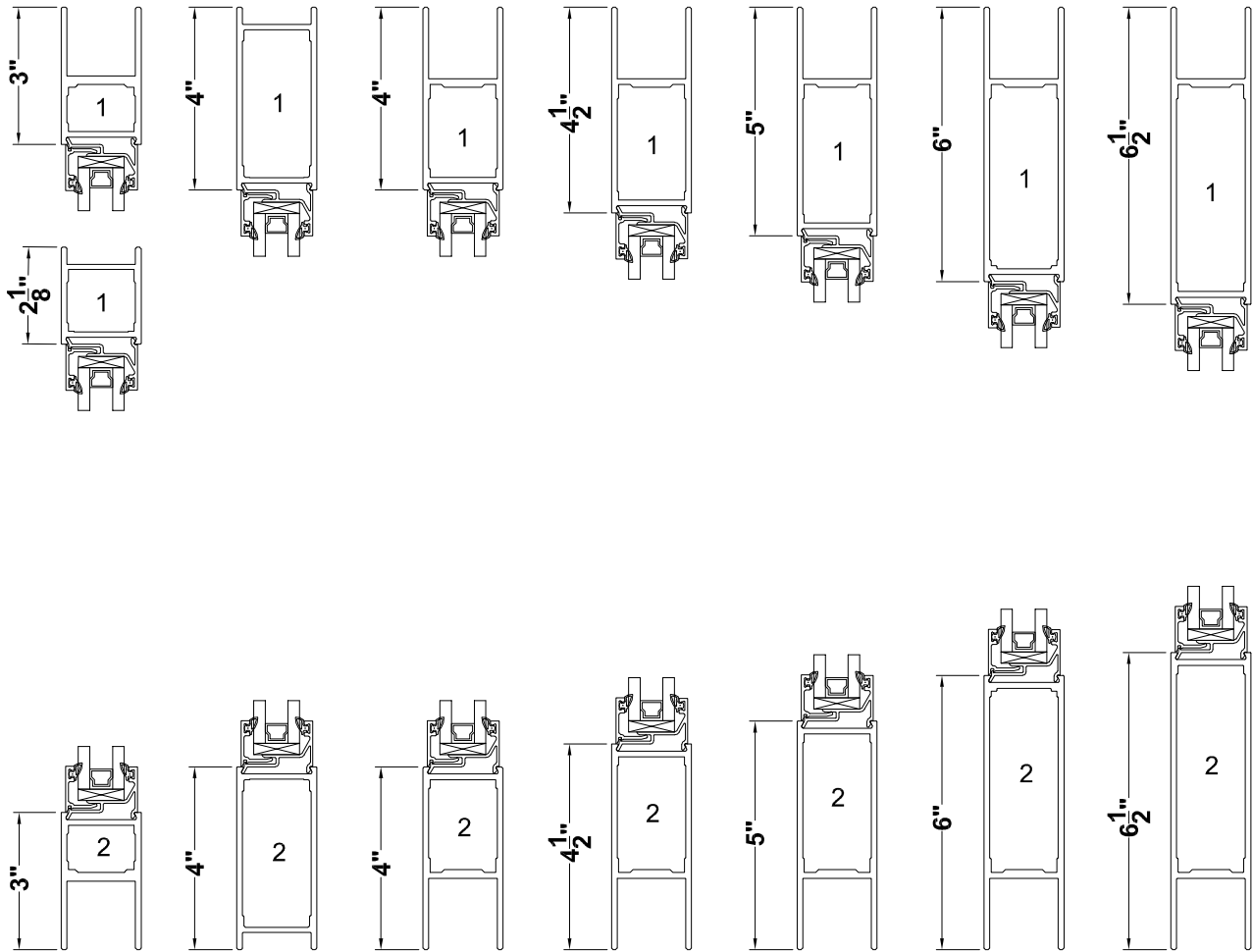
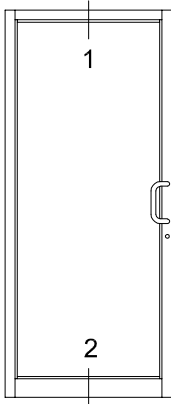
# STANDARD ENTRANCES

Tubelite reserves the right to change system configuration without prior notice when deemed necessary for product improvements.

Laws and building & safety codes governing the design and use of glazed entrance, window and curtain wall systems vary widely. Tubelite does not control the selection of product configurations, operating hardware or glazing materials, and assumes no responsibility thereof.

## Standard Rails 1/4 scale

REFER TO GLAZING AND DOOR STOP SECTION FOR GLASS STOP OPTIONS



FEBRUARY 2020

For specific product applications, contact your Tubelite representative.  
 Details on this page represent standard details found on our website.  
 For more options, visit our website at  
[www.tubeliteinc.com/narrow-stile-and-standard-stile/](http://www.tubeliteinc.com/narrow-stile-and-standard-stile/)

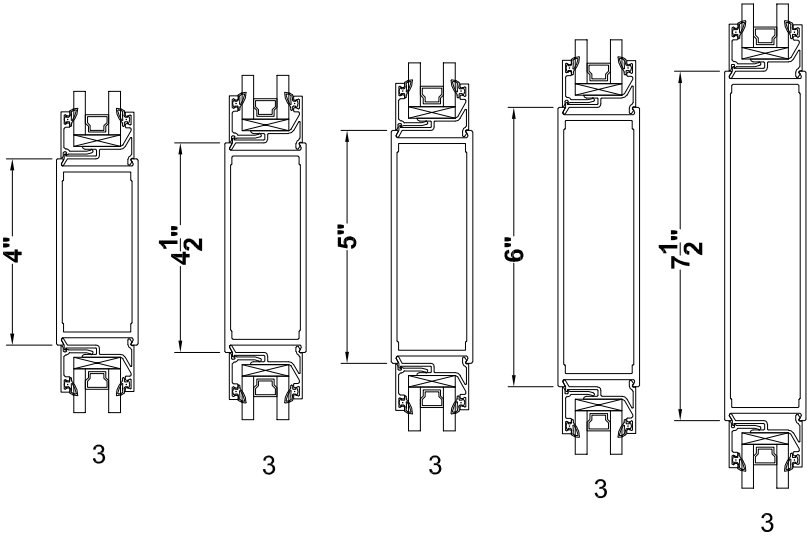
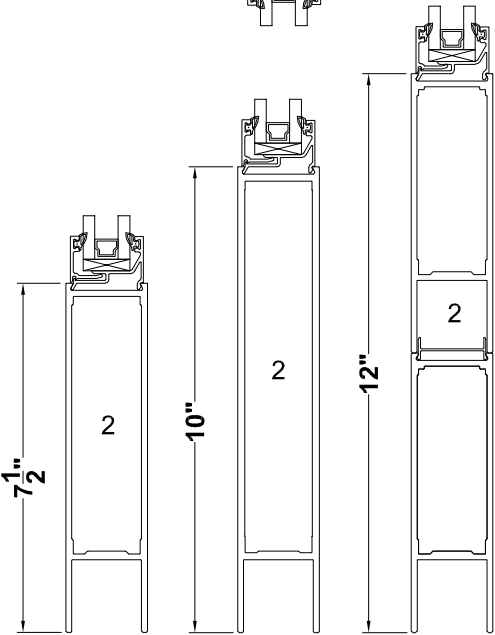
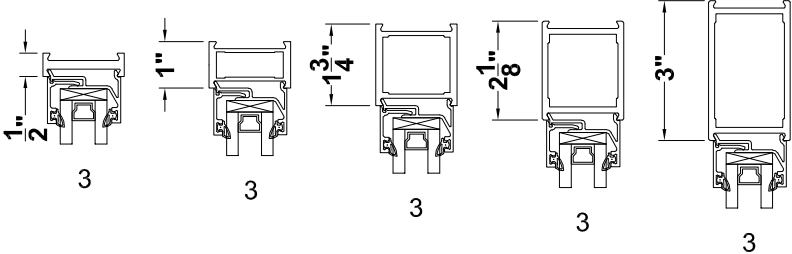
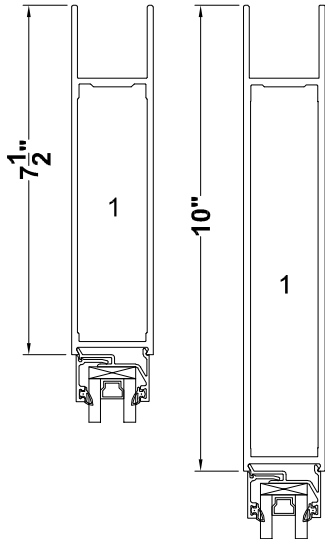
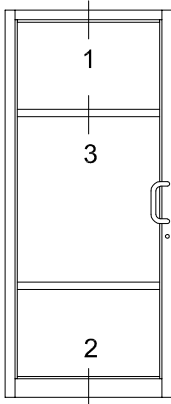
# STANDARD ENTRANCES

Tubelite reserves the right to change system configuration without prior notice when deemed necessary for product improvements.

Laws and building & safety codes governing the design and use of glazed entrance, window and curtain wall systems vary widely. Tubelite does not control the selection of product configurations, operating hardware or glazing materials, and assumes no responsibility thereof.

## Standard Rails & Midrails 1/4 scale

REFER TO GLAZING AND DOOR STOP SECTION FOR GLASS STOP OPTIONS



**TUBELITE®**  
DEPENDABLE  
LEADERS IN ECO-EFFICIENT STOREFRONT,  
CURTAINWALL AND ENTRANCE SYSTEMS

FEBRUARY 2020

For specific product applications, contact your Tubelite representative.  
Details on this page represent standard details found on our website.  
For more options, visit our website at  
[www.tubeliteinc.com/narrow-stile-and-standard-stile/](http://www.tubeliteinc.com/narrow-stile-and-standard-stile/)