

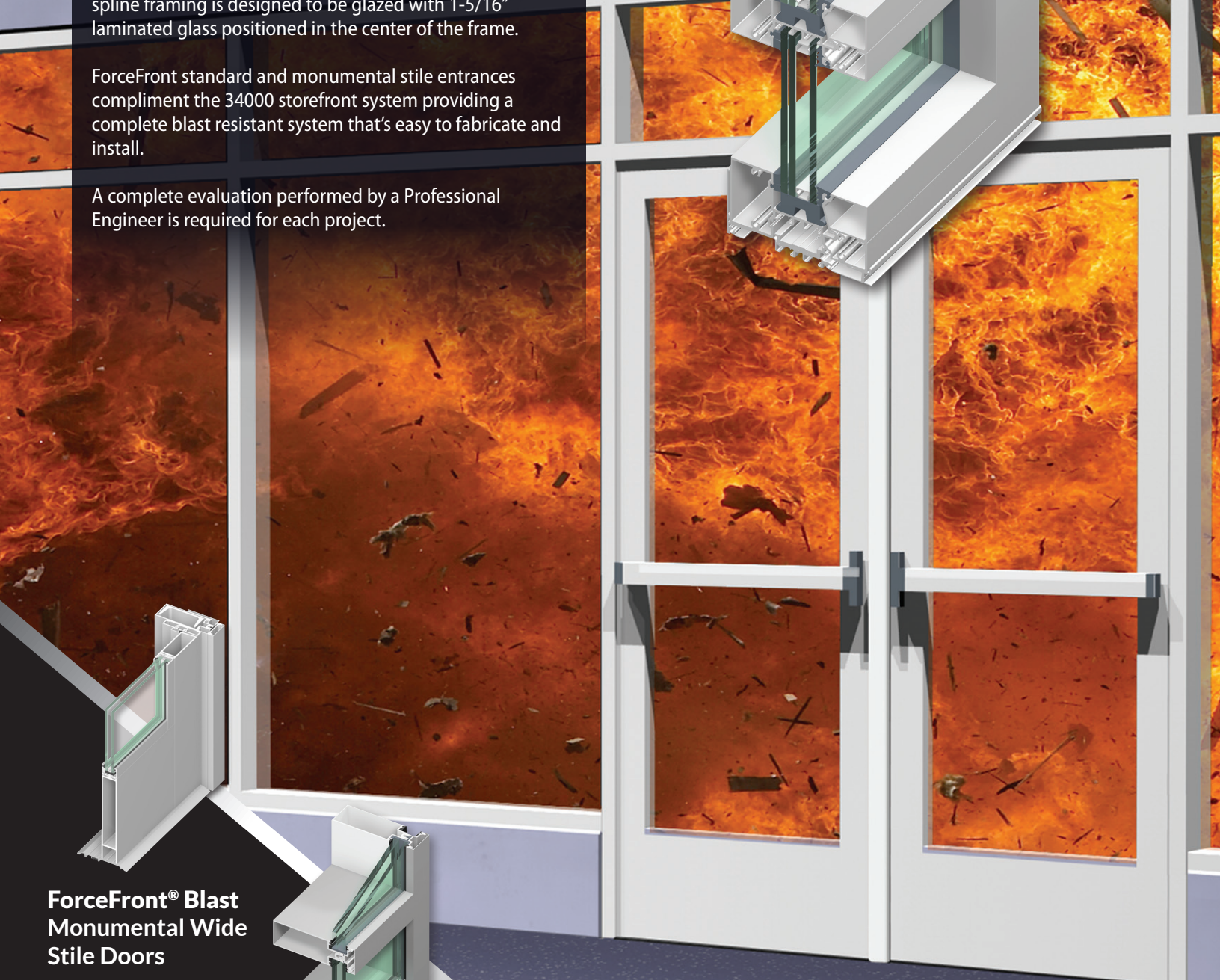
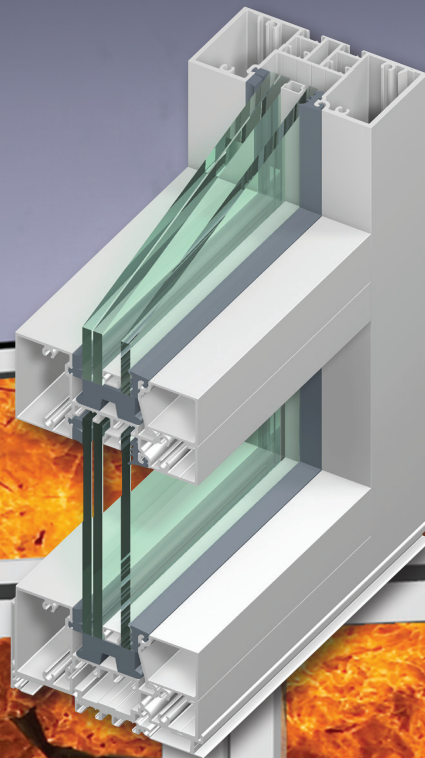


Tubelite ForceFront® Blast E/T34000 Storefront

Tubelite ForceFront® Blast E/T34000 Storefront is designed for compliance requirements. This blast resistant screw-spline framing is designed to be glazed with 1-5/16" laminated glass positioned in the center of the frame.

ForceFront standard and monumental stile entrances compliment the 34000 storefront system providing a complete blast resistant system that's easy to fabricate and install.

A complete evaluation performed by a Professional Engineer is required for each project.



ForceFront® Blast Monumental Wide Stile Doors

ALSO USED WITH

ForceFront® Blast Curtainwall

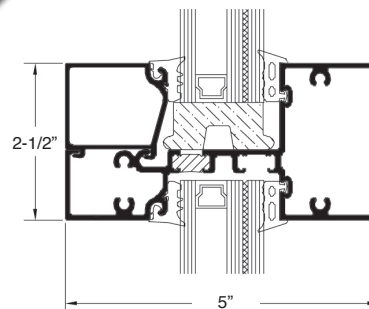
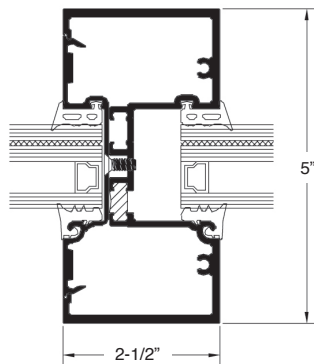
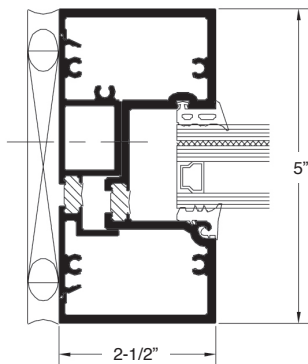
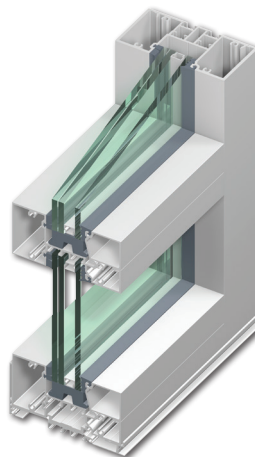
TUBELITE®

DEPENDABLE

LEADERS IN ECO-EFFICIENT STOREFRONT, CURTAINWALL AND ENTRANCE SYSTEMS

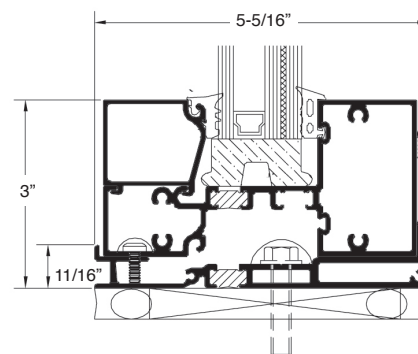


Tubelite ForceFront® Blast E/T34000 Storefront



Door glass is 9/16" - 1-3/16" thickness.

Storefront glass is 1-5/16" thickness.



System Features:

- Improved thermal performance
- Additional glazing options
- Higher load capacity
- Easier installation
- Each project must be analyzed separately for compliance based on its unique factors

ForceFront® Blast Standard and Monumental Entrance Doors:

- 4'0" x 8'0" single doors through 8'0" x 8'0" pairs

Tubelite® FFB E/T34000 Storefront

Application: Low and mid-rise commercial buildings including retail, office, healthcare, schools, etc.

Description: 2-1/2" x 5" field glazed, screw spline construction blast resistant storefront.

Frame Width:	Overall Depth	Glass Thickness	Air Infiltration	Structural: Blast Hazard Mitigation	Water Infiltration	U-Factor:**	CRF:	Sound Transmission
2-1/2"	5"	1-3/16" to 1-5/16"	0.06 CFM/Ft.2@ 6.24 PSF	Charge I - 121' standoff Charge II - 50' standoff	15 PSF – Static 15 PSF – Dynamic	0.37	59 frame 69 glass	36 STC 32 OITC

** U-Factor per NFRC 100: COG = 0.24 with warm edge spacer, 1-3/4" x 4-1/2" non-thermal frame.

Refer to the U-Factor table at: www.tubeliteinc.com/products/storefront/forcefront-blast-et34000-storefront/ for other glass makeups and configurations.

DISCLAIMER: Tubelite takes no responsibility for product selection or application, including, but not limited to, compliance with building codes, safety codes, laws, merchantability or fitness for a particular purpose; and further disclaims all liability for the use, in whole or in part, of this Technical Guide in preparation of project specifications and/or other documents. Technical Guides are subject to change at any time, without notice, and at Tubelite's sole discretion. ©2017 Tubelite Inc.

060321



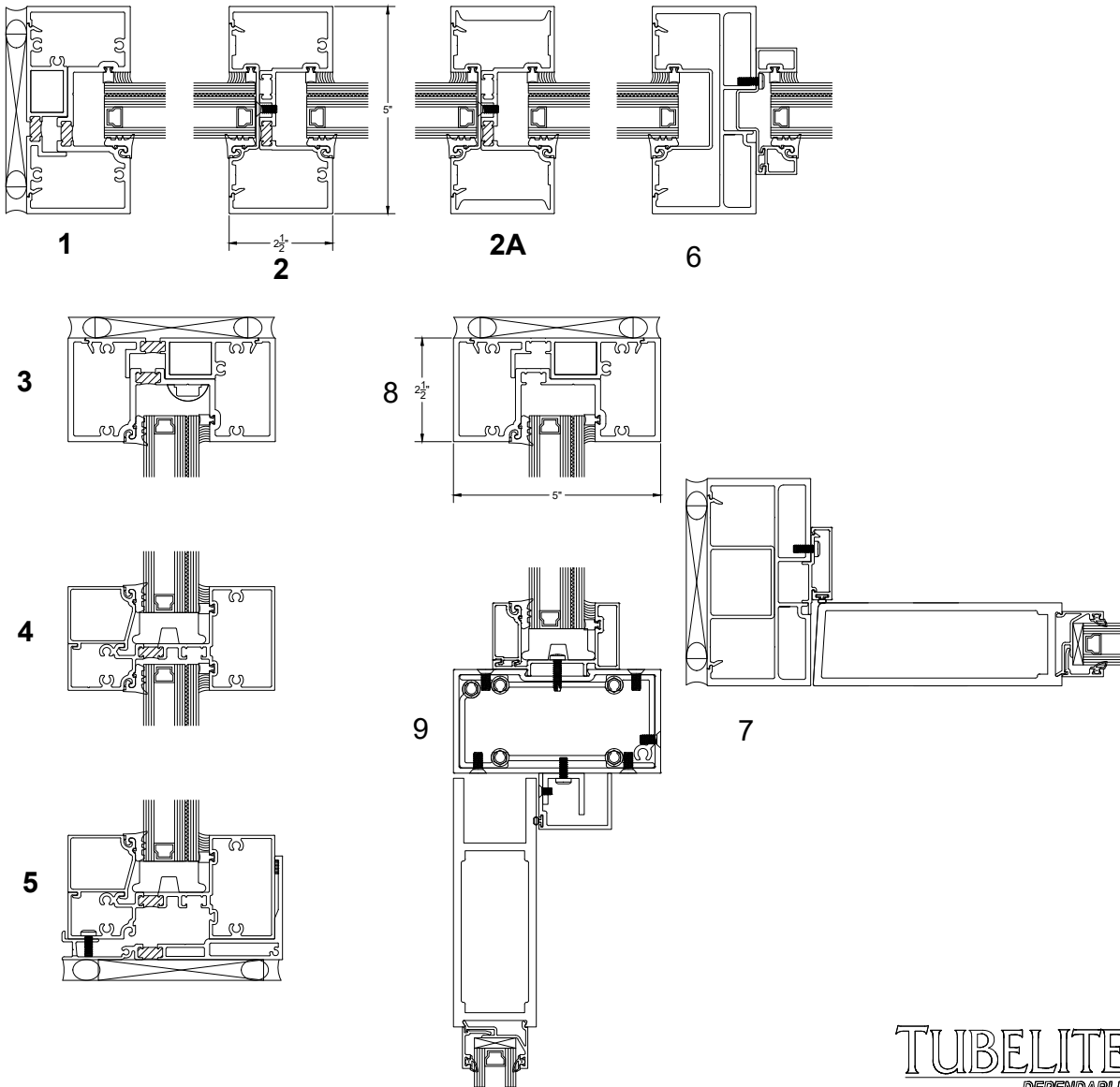
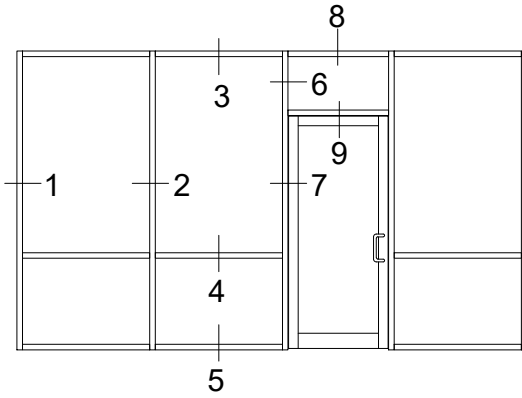
LEADERS IN ECO-EFFICIENT STOREFRONT, CURTAINWALL AND ENTRANCE SYSTEMS

T34000 STOREFRONT

Tubelite reserves the right to change system configuration without prior notice when deemed necessary for product improvements.

Laws and building & safety codes governing the design and use of glazed entrance, window and curtain wall systems vary widely. Tubelite does not control the selection of product configurations, operating hardware or glazing materials, and assumes no responsibility thereof.

Standard Details 1/4 scale



April 2020

TUBELITE®
DEPENDABLE
LEADERS IN ECO-EFFICIENT STOREFRONT,
CURTAINWALL AND ENTRANCE SYSTEMS

For specific product applications, contact your Tubelite representative.
Details on this page represent standard details found on our website.
For more options, visit our website at www.tubeliteinc.com/forcefront-blast-et34000-storefront/