

900RW Series Thermal Window Wall

Tubelite's 900RW Series offers solutions for between slab strip window applications. The 2-1/4" wide system is available in 4-1/2" and 6" depths. Glazing options include all captured, silicone glazed verticals, and exterior glazing for spandrel areas.

Optional integrated slab edge finishes off the building's exterior, and head and sill starters enable complete installation from the inside of the building. The single or dual thermal break option help ensure project energy compliance at the best value.

Labor Savings with Thermal Performance

The single or dual cavity pour and debridge ultra-thermal barrier with Azon's Lancer™ Mechanical lock improves performance where more stringent energy codes apply.

Thermi=Block Curtainwall, Storefronts and Entrances compliment the system providing a complete package that's easy to fabricate and install.

The 900RW Series Thermal Window Wall is available with Tubelite's high recycled aluminum content, Ecoluminum, and environmentally friendly paint and anodized finishes from Linetec.

Thermi=Block
HIGH-PERFORMANCE THERMAL FRAMING

TerraPorte 7600
Terrace Door

ALSO
USED
WITH

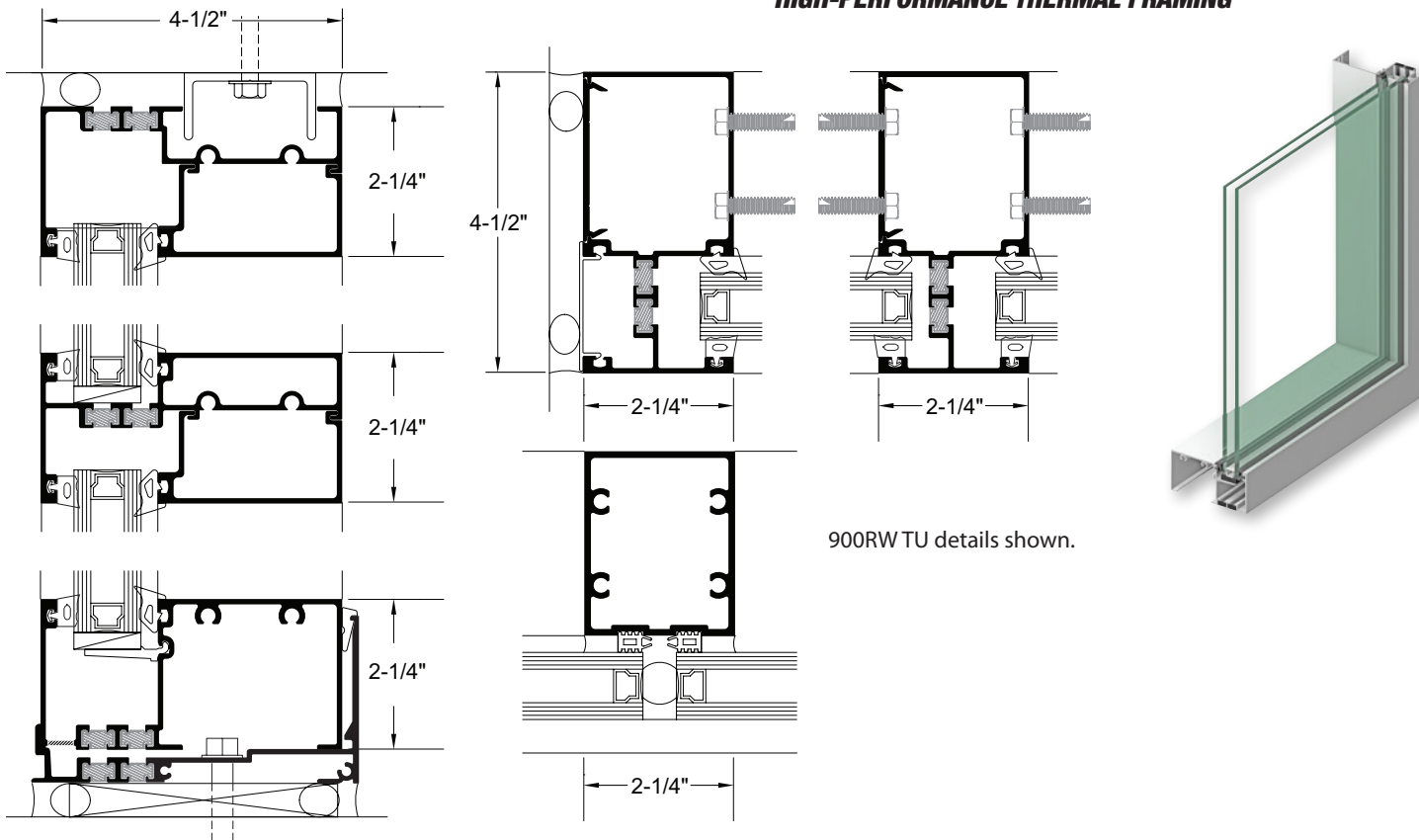
Phantom Vent 5000
Projecting Operable Window

Project: Centrum Bucktown, Chicago, IL, Erector: Northern Glass, Finish: Clear Ano

TUBELITE[®]
DEPENDABLE

LEADERS IN ECO-EFFICIENT STOREFRONT,
CURTAINWALL AND ENTRANCE SYSTEMS

900RW Series Thermal Window Wall



900RW TU details shown.

System Features:

- Single or dual cavity pour and debridge ultra-thermal barrier options help ensure compliance to project energy requirements. See U-Factor and CRF performance data below.
- Stick fabricated with screw spline construction.
- Captured and silicone glazed verticals.
- Can be used with Aluminate Light Shelves and MaxBlock sun shades.
- Head and sill starters, slab edge covers, interior and exterior glazing.

Performance Test Standards

Air Performance	ASTM E 283
Water	AAMA 501.1, ASTM E 331 and ASTM E 547
Structural	ASTM E 330, ASTM E 501.4 and ASTM E 501.7
Thermal	AAMA 1503 and NFRC 102
Acoustical	AAMA 1801 and ASTM E 1425
Thermal Cycling	AAMA 501.5

900RW Series Ribbon Window Product Specifications

Application: Low to mid-rise Ribbon Window with both interior and exterior glazing

Description: 2-1/4" x 4-1/2" or 6" exterior set, screw spline construction, thermal or dual thermal, field or shop glazed window wall.

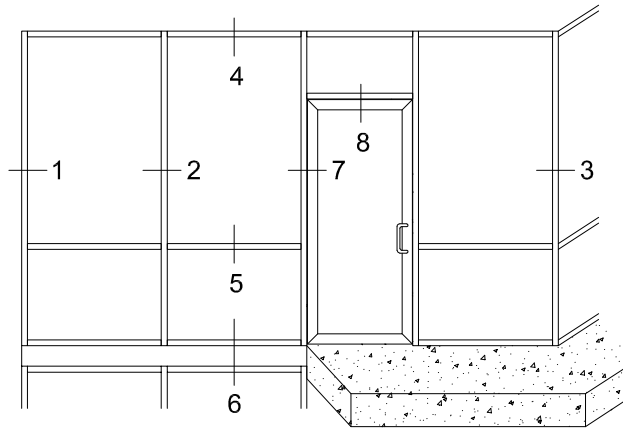
Face Width:	Overall Depths:	Glass Thickness:	Air Infiltration:	Static & Dynamic Water:	Structural:	CRF:	U-Factor**:	Sound Movement:	Interstory Liveload:	Product Approval: (non-impact)
2-1/4"	4-1/2" & 6"	1"	0.06 CFM/FT.2 @ 6.24 PSF	15 PSF	40 PSF – Design 60 PSF – Overload	Single – 68 Dual – 72	Single – 0.35 Dual – 0.33 NFRC 100	31 STC 25 OITC	+/- 1/2"	FL21062-R1 (FPA) CWSF-55 (TDI)

** U-Factor per NFRC 100. Refer to the U-Value table at: www.tubeliteinc.com/products/window-wall/

DISCLAIMER: Tubelite takes no responsibility for product selection or application, including, but not limited to, compliance with building codes, safety codes, laws, merchantability or fitness for a particular purpose; and further disclaims all liability for the use, in whole or in part, of this product brochure in preparation of project specifications and/or other documents. Product brochures are subject to change at any time, without notice, and at Tubelite's sole discretion. ©2017 Tubelite Inc.

051820

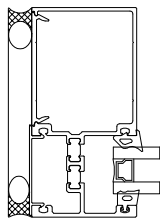




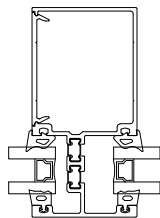
Tubelite reserves the right to change system configuration without prior notice when deemed necessary for product improvements.

Laws and building & safety codes governing the design and use of glazed entrance, window and curtain wall systems vary widely. Tubelite does not control the selection of product configurations, operating hardware or glazing materials, and assumes no responsibility thereof.

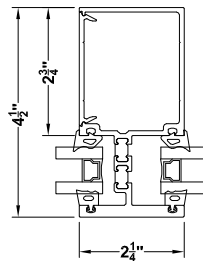
Inside Glaze Details
1/4 scale



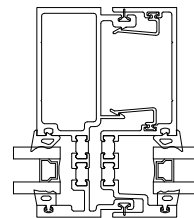
1



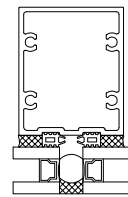
2



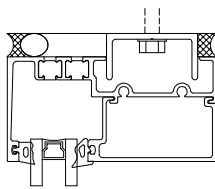
2A



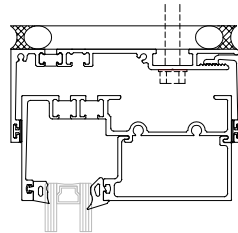
2B



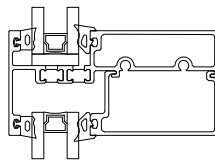
2C



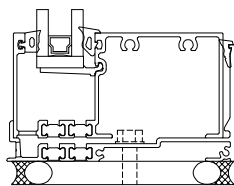
4



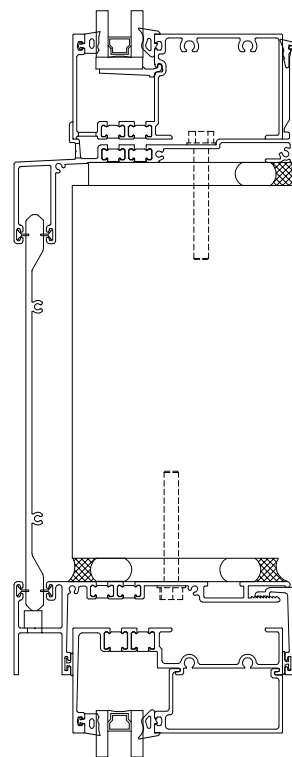
4A



5



6

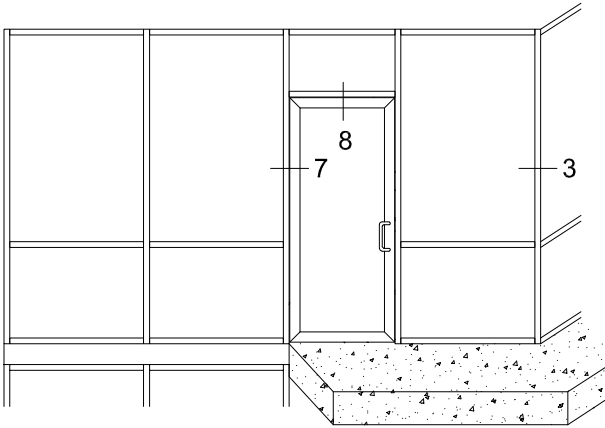


6A

TUBELITE®
DEPENDABLE
LEADERS IN ECO-EFFICIENT STOREFRONT,
CURTAINWALL AND ENTRANCE SYSTEMS

February 2020

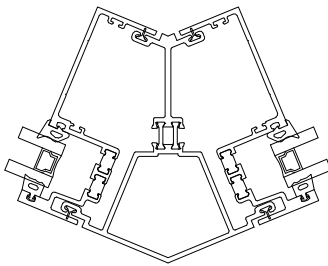
For specific product applications, contact your Tubelite representative.
Details on this page represent standard details found on our website.
For more options, visit our website at www.tubeliteinc.com/900rw-thermal-ribbon-window/



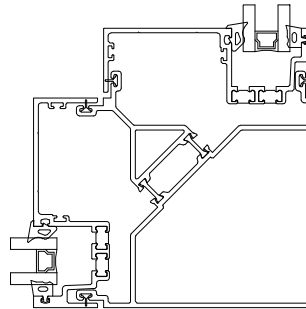
Tubelite reserves the right to change system configuration without prior notice when deemed necessary for product improvements.

Laws and building & safety codes governing the design and use of glazed entrance, window and curtain wall systems vary widely. Tubelite does not control the selection of product configurations, operating hardware or glazing materials, and assumes no responsibility thereof.

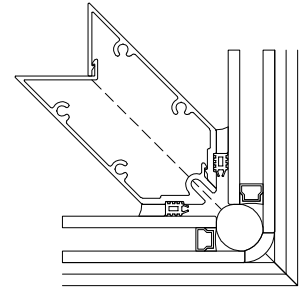
Inside Glaze Details
1/4 scale



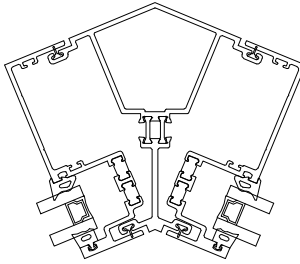
3



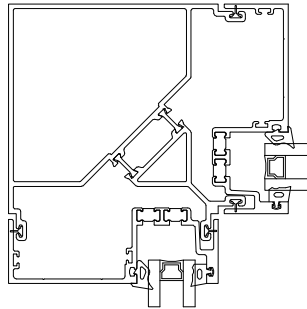
3C



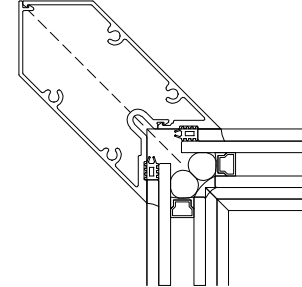
3B



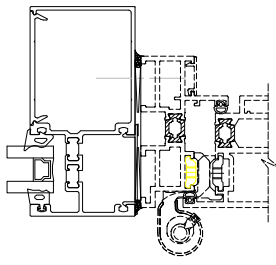
3A



3B

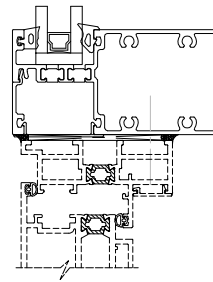


3E



7

REFER TO TERRAPORT TERRACE DOOR DETAILS FOR INSERTION OF DESIRED DOOR MEMBER TO COMPLETE THESE DETAILS

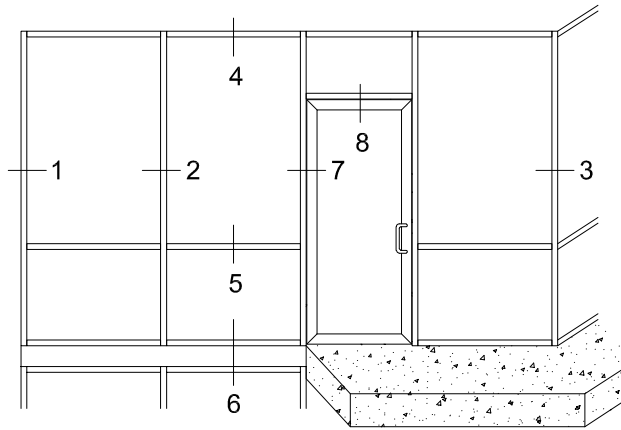


8

TUBELITE[®]
DEPENDABLE
LEADERS IN ECO-EFFICIENT STOREFRONT,
CURTAINWALL AND ENTRANCE SYSTEMS

February 2020

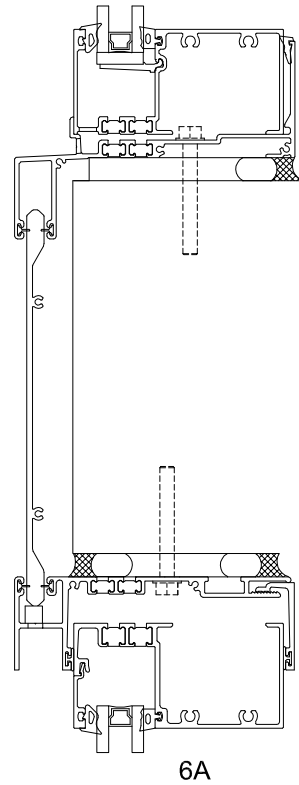
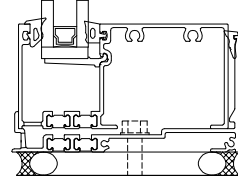
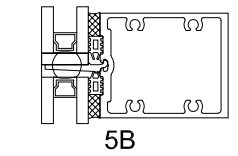
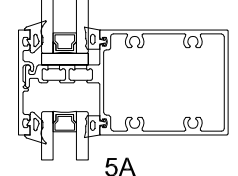
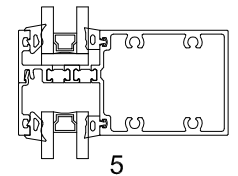
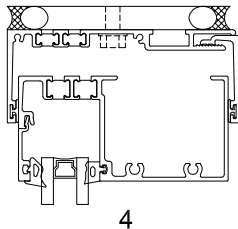
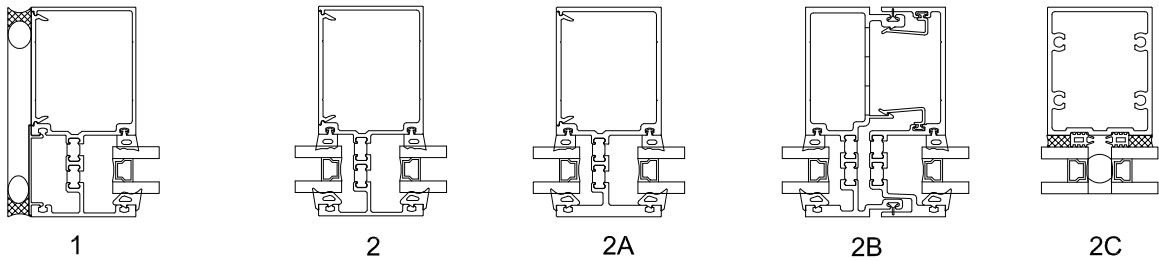
For specific product applications, contact your Tubelite representative.
Details on this page represent standard details found on our website.
For more options, visit our website at www.tubeliteinc.com/900rw-thermal-ribbon-window/



Tubelite reserves the right to change system configuration without prior notice when deemed necessary for product improvements.

Laws and building & safety codes governing the design and use of glazed entrance, window and curtain wall systems vary widely. Tubelite does not control the selection of product configurations, operating hardware or glazing materials, and assumes no responsibility thereof.

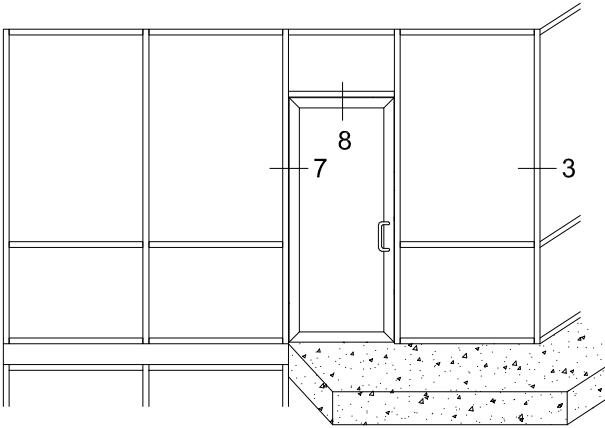
Outside Glaze Details
1/4 scale



TUBELITE[®]
DEPENDABLE
LEADERS IN ECO-EFFICIENT STOREFRONT,
CURTAINWALL AND ENTRANCE SYSTEMS

February 2020

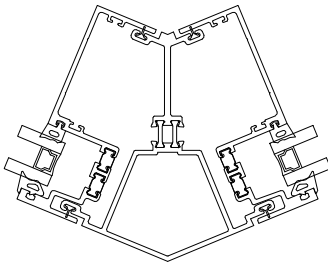
For specific product applications, contact your Tubelite representative.
Details on this page represent standard details found on our website.
For more options, visit our website at www.tubeliteinc.com/900rw-thermal-ribbon-window/



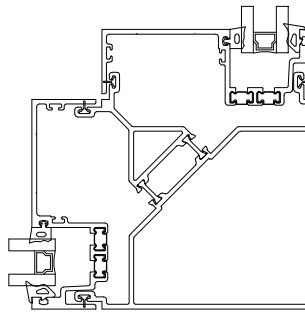
Tubelite reserves the right to change system configuration without prior notice when deemed necessary for product improvements.

Laws and building & safety codes governing the design and use of glazed entrance, window and curtain wall systems vary widely. Tubelite does not control the selection of product configurations, operating hardware or glazing materials, and assumes no responsibility thereof.

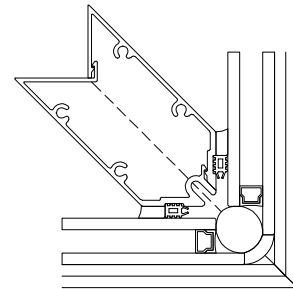
Outside Glaze Details
1/4 scale



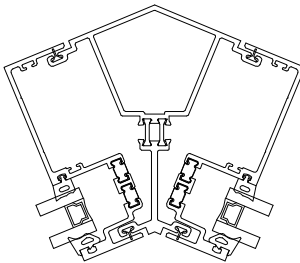
3



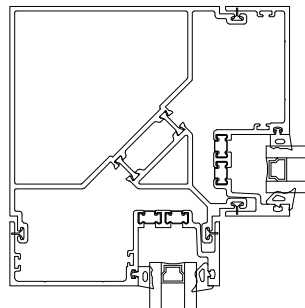
3A



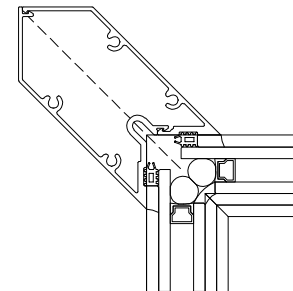
3B



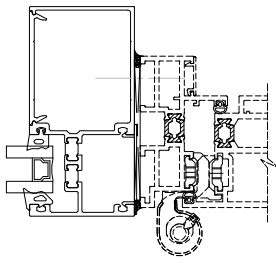
3C



3D

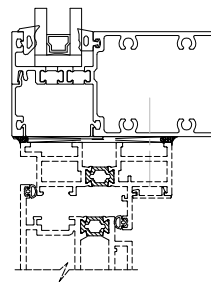


3E



7

REFER TO TERRAPORT TERRACE
DOOR DETAILS FOR INSERTION
OF DESIRED DOOR MEMBER TO
COMPLETE THESE DETAILS

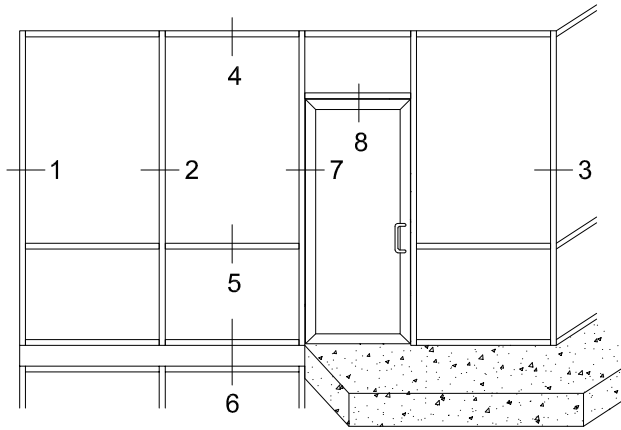


8

TUBELITE®
DEPENDABLE
LEADERS IN ECO-EFFICIENT STOREFRONT,
CURTAINWALL AND ENTRANCE SYSTEMS

February 2020

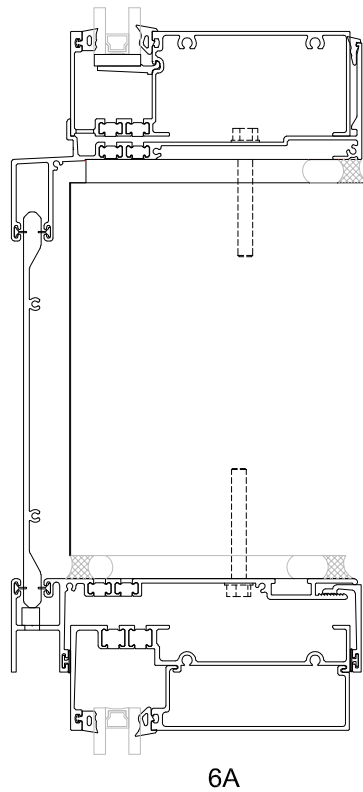
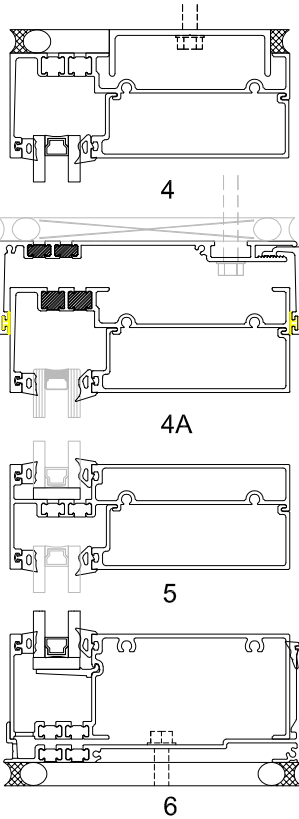
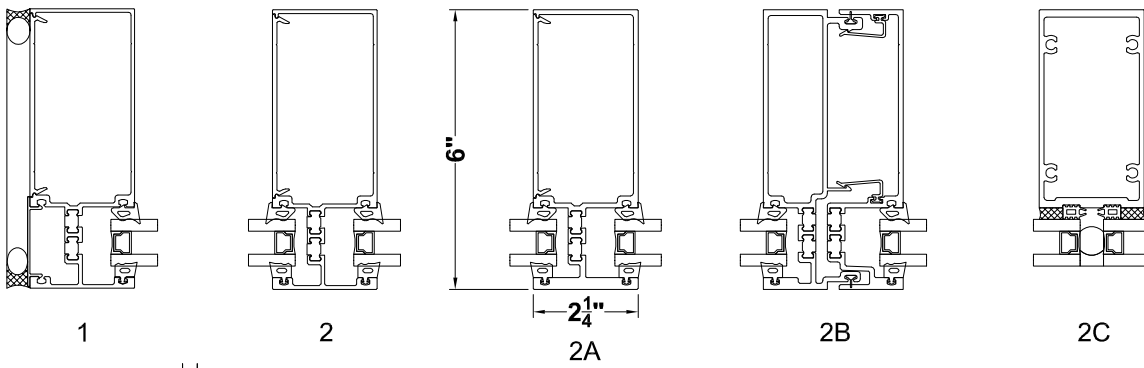
For specific product applications, contact your Tubelite representative.
Details on this page represent standard details found on our website.
For more options, visit our website at www.tubeliteinc.com/900rw-thermal-ribbon-window/



Tubelite reserves the right to change system configuration without prior notice when deemed necessary for product improvements.

Laws and building & safety codes governing the design and use of glazed entrance, window and curtain wall systems vary widely. Tubelite does not control the selection of product configurations, operating hardware or glazing materials, and assumes no responsibility thereof.

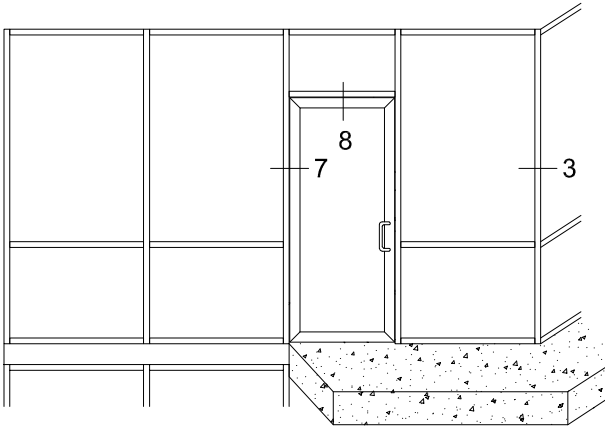
Inside Glaze Details
1/4 scale



TUBELITE[®]
DEPENDABLE
LEADERS IN ECO-EFFICIENT STOREFRONT,
CURTAINWALL AND ENTRANCE SYSTEMS

February 2020

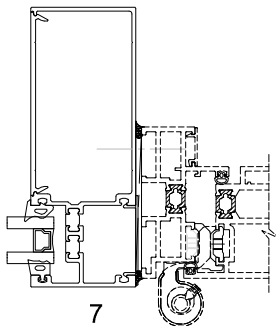
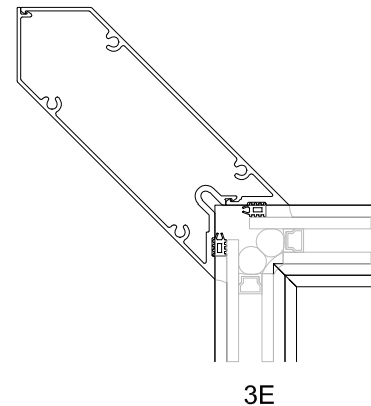
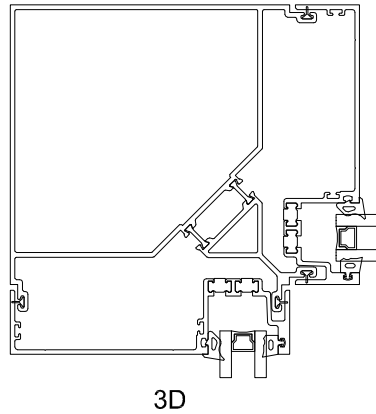
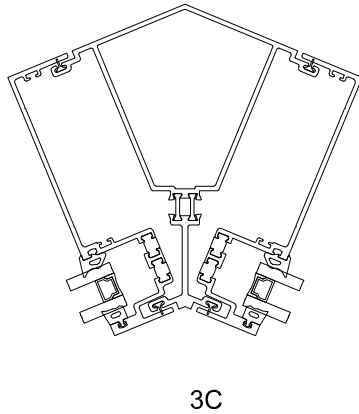
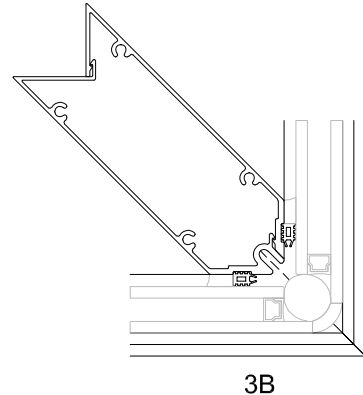
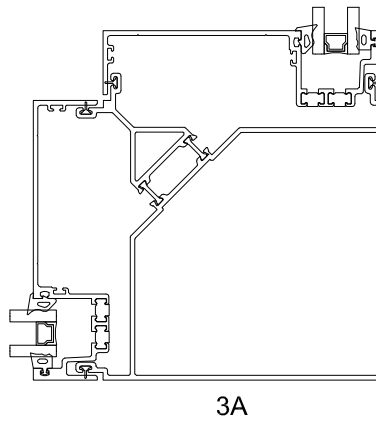
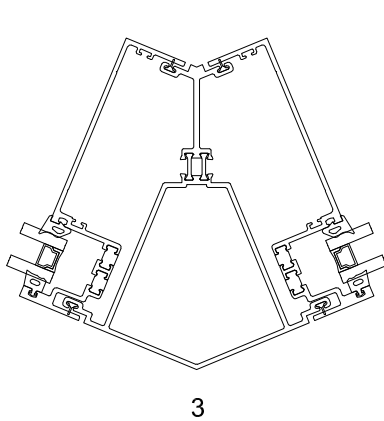
For specific product applications, contact your Tubelite representative.
Details on this page represent standard details found on our website.
For more options, visit our website at www.tubeliteinc.com/900rw-thermal-ribbon-window/



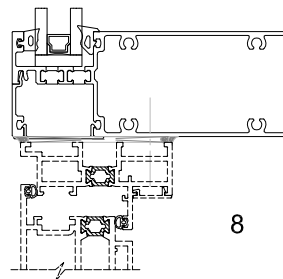
Tubelite reserves the right to change system configuration without prior notice when deemed necessary for product improvements.

Laws and building & safety codes governing the design and use of glazed entrance, window and curtain wall systems vary widely. Tubelite does not control the selection of product configurations, operating hardware or glazing materials, and assumes no responsibility thereof.

Inside Glaze Details
1/4 scale



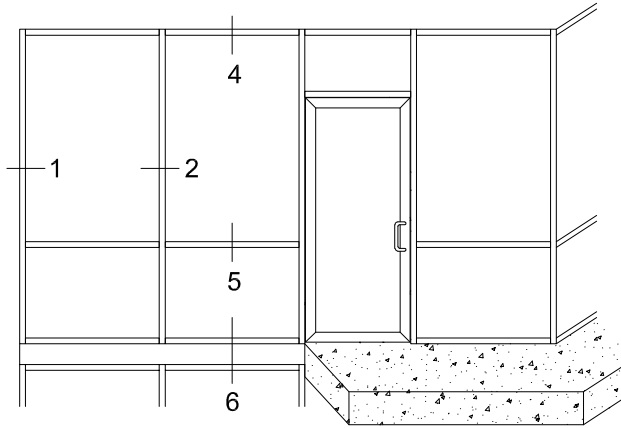
REFER TO TERRAPORT TERRACE DOOR DETAILS FOR INSERTION OF DESIRED DOOR MEMBER TO COMPLETE THIS DETAIL



TUBELITE®
DEPENDABLE
LEADERS IN ECO-EFFICIENT STOREFRONT,
CURTAINWALL AND ENTRANCE SYSTEMS

February 2020

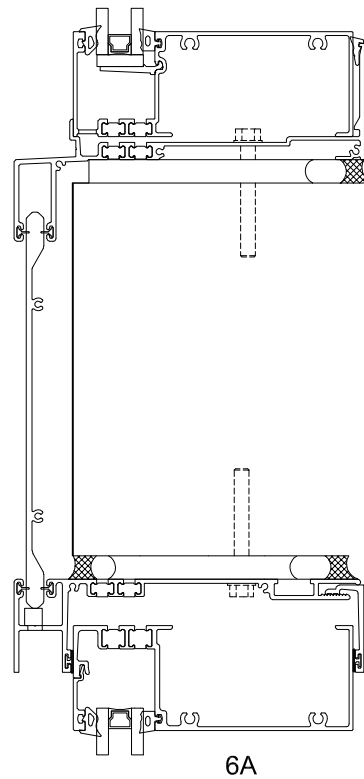
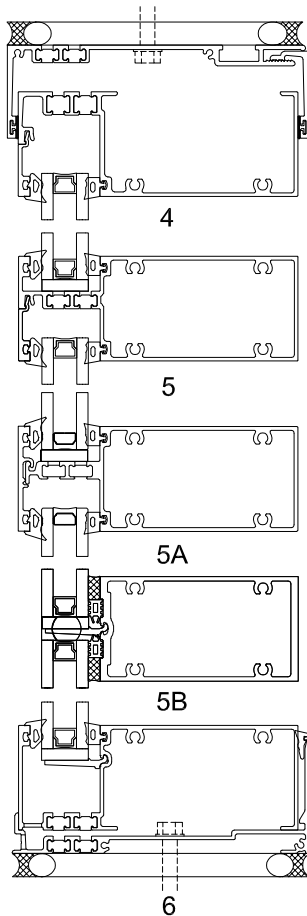
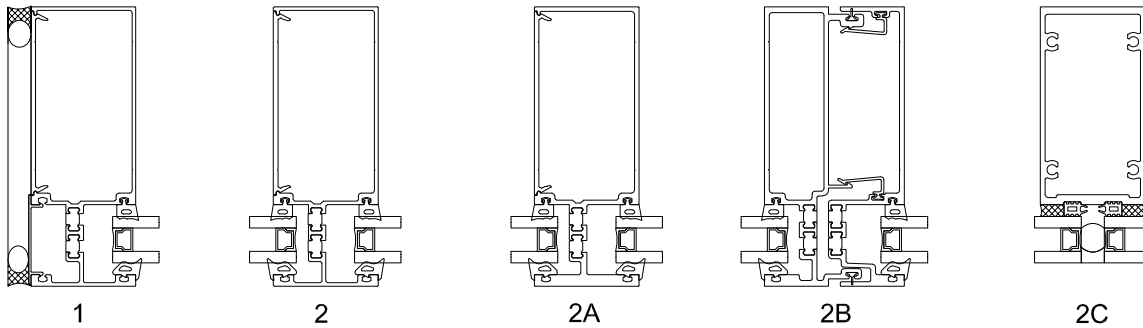
For specific product applications, contact your Tubelite representative.
Details on this page represent standard details found on our website.
For more options, visit our website at www.tubeliteinc.com/900rw-thermal-ribbon-window/



Tubelite reserves the right to change system configuration without prior notice when deemed necessary for product improvements.

Laws and building & safety codes governing the design and use of glazed entrance, window and curtain wall systems vary widely. Tubelite does not control the selection of product configurations, operating hardware or glazing materials, and assumes no responsibility thereof.

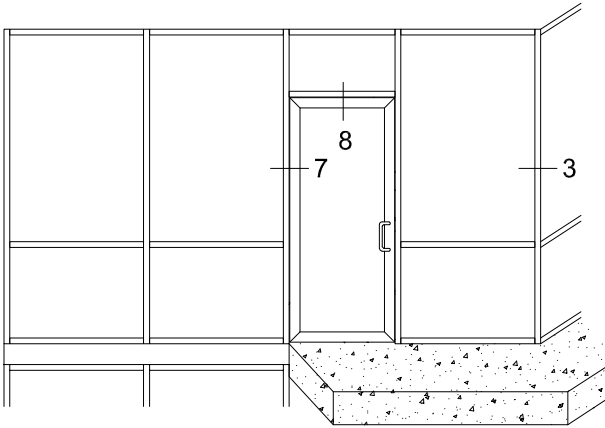
Outside Glaze Details
1/4 scale



TUBELITE[®]
DEPENDABLE
LEADERS IN ECO-EFFICIENT STOREFRONT,
CURTAINWALL AND ENTRANCE SYSTEMS

February 2020

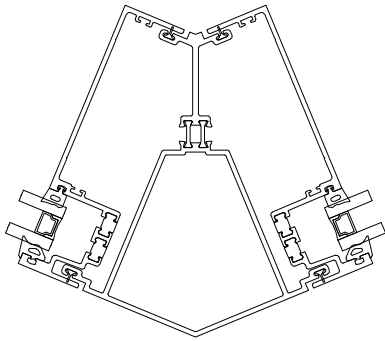
For specific product applications, contact your Tubelite representative.
Details on this page represent standard details found on our website.
For more options, visit our website at www.tubeliteinc.com/900rw-thermal-ribbon-window/



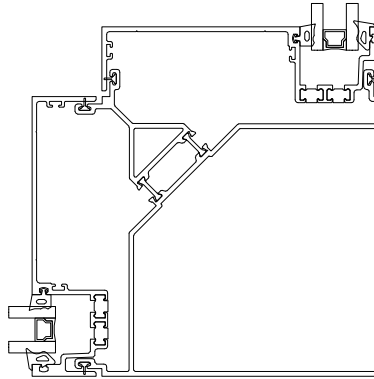
Tubelite reserves the right to change system configuration without prior notice when deemed necessary for product improvements.

Laws and building & safety codes governing the design and use of glazed entrance, window and curtain wall systems vary widely. Tubelite does not control the selection of product configurations, operating hardware or glazing materials, and assumes no responsibility thereof.

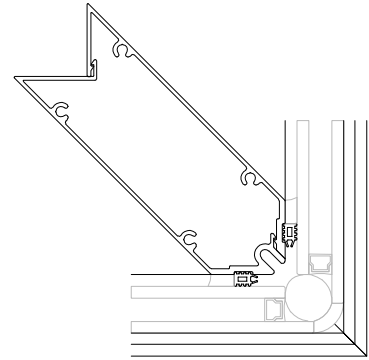
Outside Glaze Details
1/4 scale



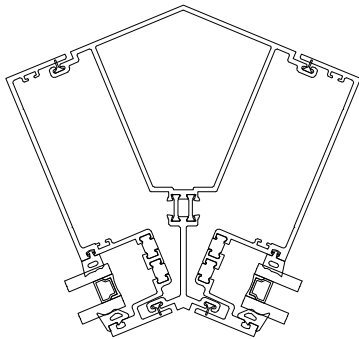
3



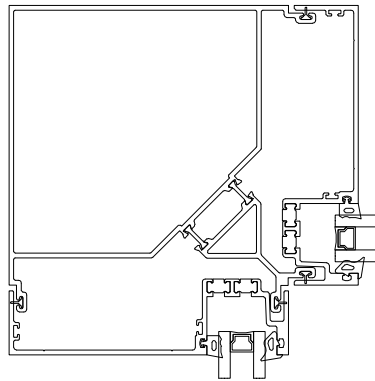
3A



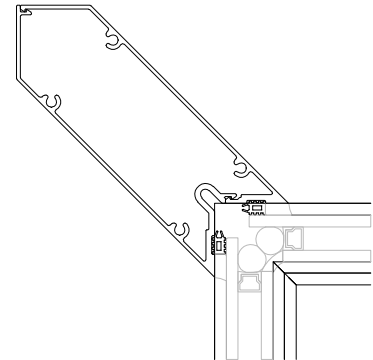
3B



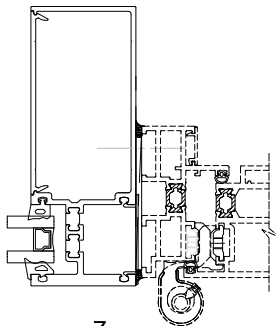
3C



3D

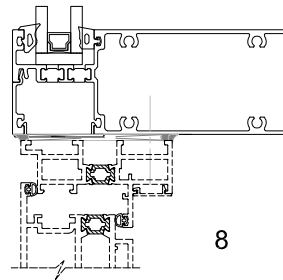


3E



7

REFER TO TERRAPORT TERRACE DOOR DETAILS FOR INSERTION OF DESIRED DOOR MEMBER TO COMPLETE THIS DETAIL



8

TUBELITE®
DEPENDABLE
LEADERS IN ECO-EFFICIENT STOREFRONT,
CURTAINWALL AND ENTRANCE SYSTEMS

February 2020

For specific product applications, contact your Tubelite representative.
Details on this page represent standard details found on our website.
For more options, visit our website at www.tubeliteinc.com/900rw-thermal-ribbon-window/