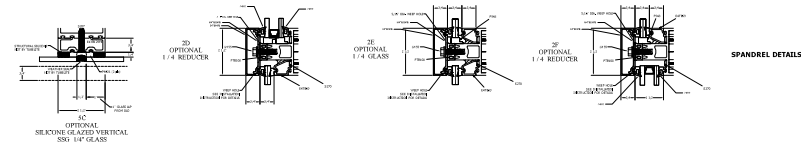
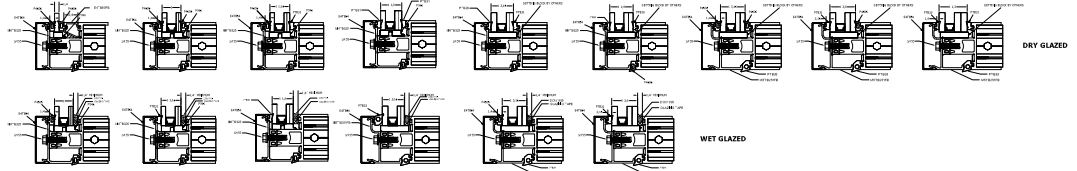
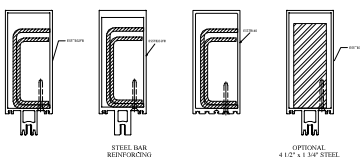
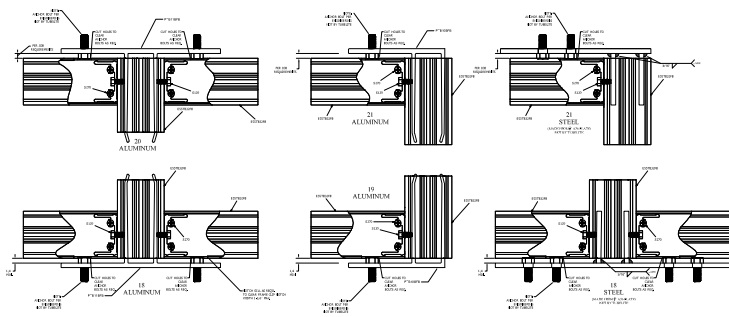


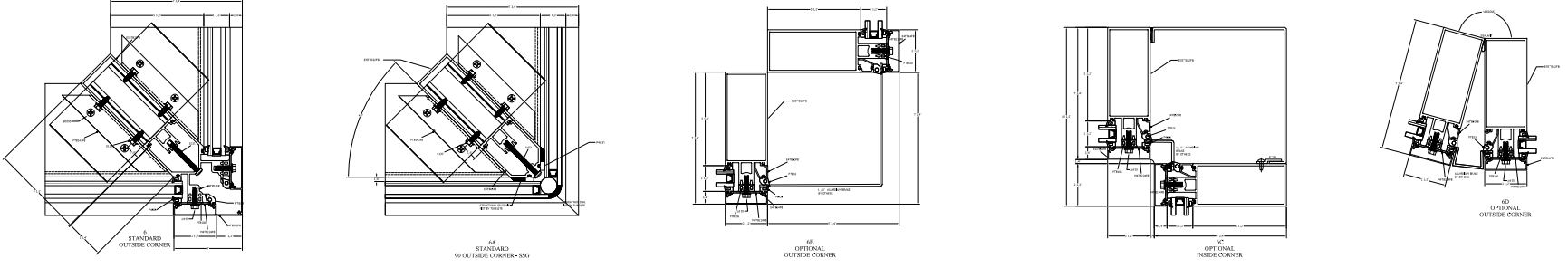
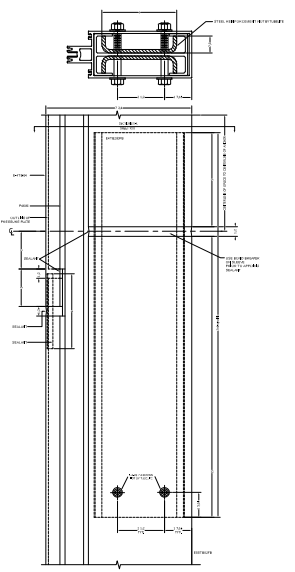
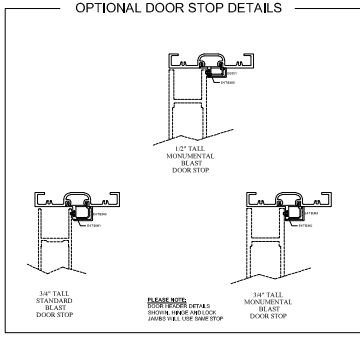
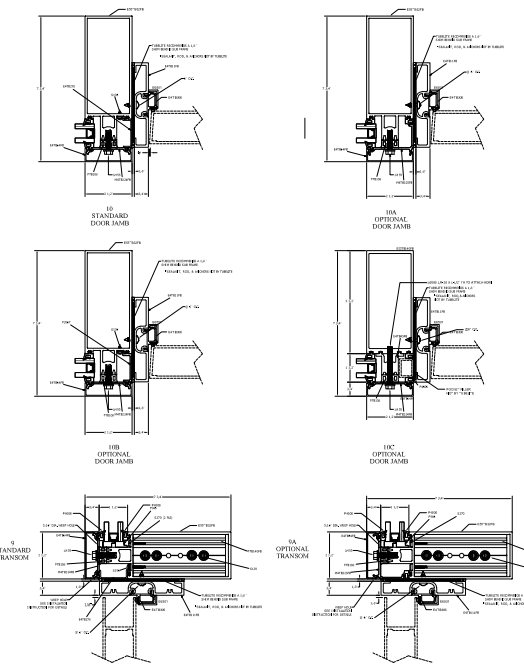
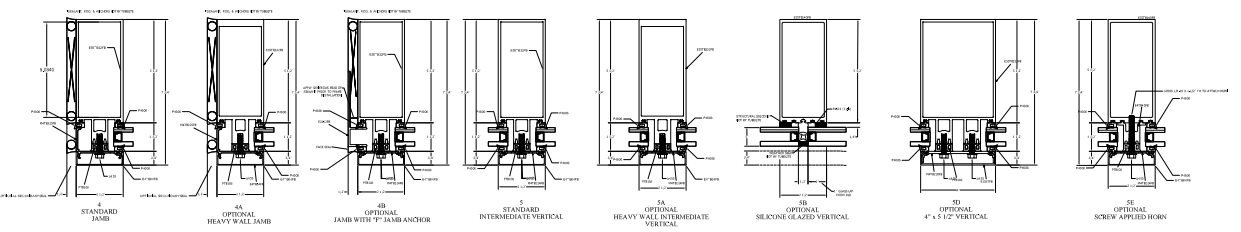
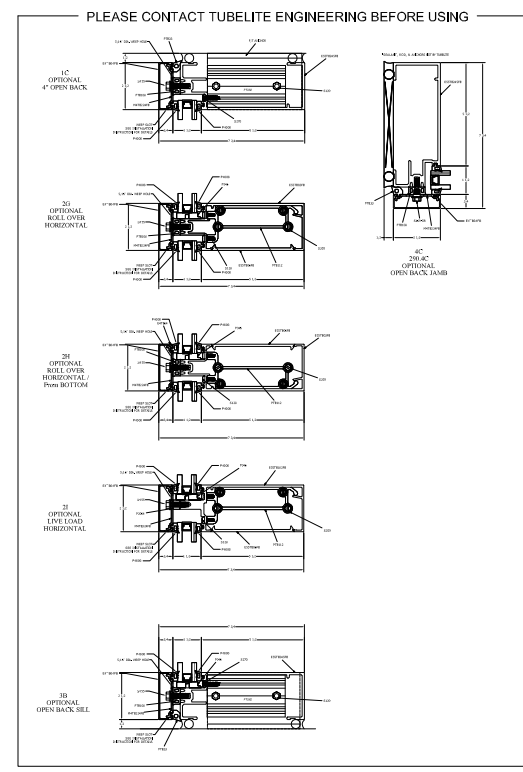
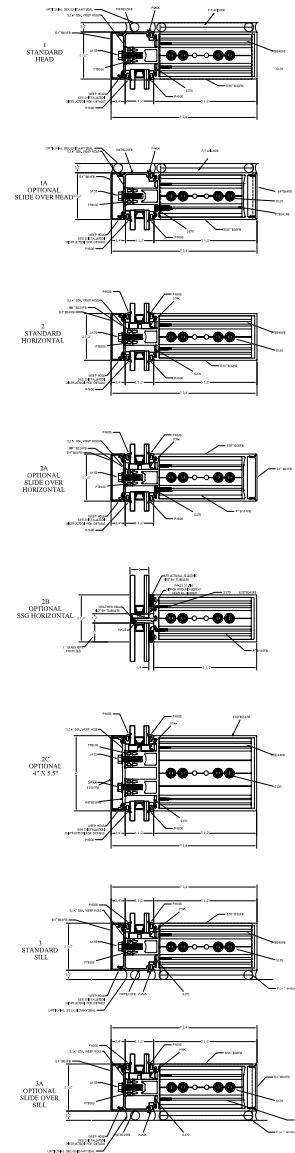
TYPICAL BLAST ELEVATION 400T SERIES

400T SERIES BLAST CURTAINWALL PERIMETER SHEET, 5.5 INCH DRY GLAZED, 1/2" GLASS BITE



GLAZING INFILL OPTIONS

NOTE: TYPICAL GLASS BITE 3/8" FROM DLO UNLESS NOTED AT DETAIL. GLASS SHOWN DOES NOT NECESSARILY REPRESENT FINAL CONFIGURATION. CONSULT GLASS MANUFACTURER FOR SPECIFIC GLASS MAKE UP.



NOTE:
DETAILS ON THIS SHEET ARE FOR DRAWING DEVELOPMENT PURPOSES. REINFORCEMENT, ANCHORS, FASTENER QUANTITIES, SPLICE LENGTH, ETC. SHALL BE DETERMINED BY ENGINEERING BLAST CALCULATIONS.

TUBELITE®
DEPENDABLE
LEADERS IN ECO-EFFICIENT STOREFRONT, CURTAINWALL AND ENTRANCE SYSTEMS
Last Revised: 8-20-2020