

Thermal Entrances

A break from high energy costs!

Tubelite Therml=Block Entrances are designed using the same durable components as our Standard Entrances for outstanding craftsmanship and strength, with the additional benefit of strut thermal barriers for enhanced thermal performance. Door stiles are available in Medium Stile 5" and Wide Stile 6" models; top rails in 4" and 5" heights; and bottom in 10" height for ADA compliance. Snap-in thermally broken vertical frame closures easily accommodate addition of sidelites and incorporation with thermal storefront framing.

Therml=Block Entrances are furnished with mortised butt hinges, offset pivots or continuous hinges as specified. Standard deadbolt locks, and concealed vertical rod or rim panic exit devices also may be selected. Standard pull handles have been designed for ADA access and have matching push bars.

Durable Tie-Rod Construction

The strength and flexibility of steel tie-rod construction is what holds it all together and makes our doors endure. Tie-rod assembly is as durable as welded corner construction, but superior in many ways. Monumental doors can be modified, disassembled or resized right in the field. No other door offers you this much strength and flexibility.

Therml=Block
HIGH PERFORMANCE THERMAL FRAMING

Tubelite thermal entrances use Therml=Block to provide superior insulation through increased aluminum separation and air space, while also increasing strength and reducing stress.



400T Thermal
Curtainwall

ALSO
USED
WITH

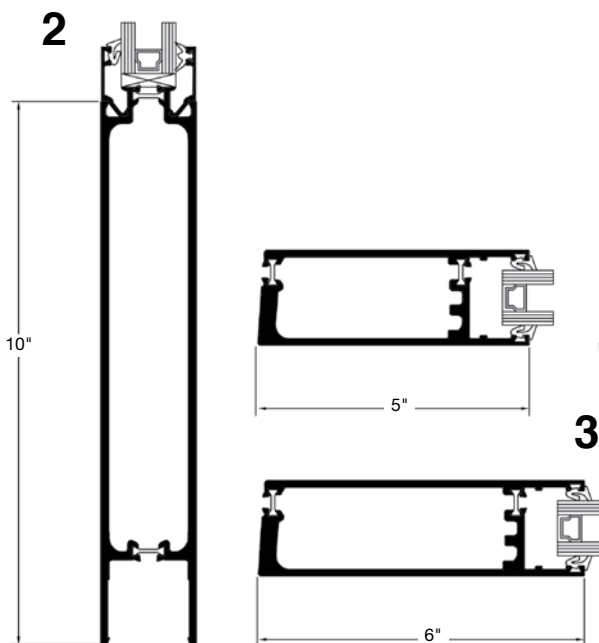
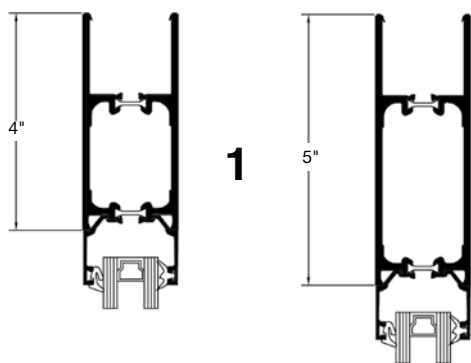
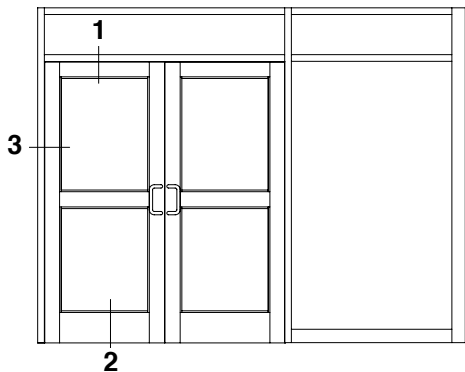
TU24000 High
Thermal Performance

TUBELITE[®]
DEPENDABLE

LEADERS IN ECO-EFFICIENT STOREFRONT,
CURTAINWALL AND ENTRANCE SYSTEMS

Thermal Entrances - A break from high energy costs!

Thermi=Block
HIGH PERFORMANCE THERMAL FRAMING



System Features

- Dramatically reduce the transfer of hot and cold temperatures
- Fast easy installation
- Outstanding craftsmanship, strength, and durability
- Blocks interior frost buildup

Note: Dimensions do not include 1/2" glass stops.

Thermi=Block Entrance Series	Medium Stile	Wide Stile
Application	Projects requiring high thermal performance	
Traffic	Light to heavy	
Vertical Stile 1-3/4" x	5"	6"
Top Rail 1-3/4" x	4"	5"
Bottom Rail 1-3/4" x	10"	10"
Maximum Sizes	Single: 4'0" x 8'0" Pair: 8'0" x 8'0"	Single: 4'0" x 8'0" Pair: 8'0" x 8'0"

Thermi=Block Entrance Series Product Specifications

Application: Thermally broken door with insulating glass for enhanced thermal performance

Description: Thermally broken vertical stiles and horizontal rails for energy savings and ADA compliance

Glass:	Air Infiltration:	Structural:	U-Factor** SINGLE DOOR:	U-Factor** DOUBLE DOOR:	CRF:
1" std	1.0 CFM / Ft.2 @ 1.57 PSF	50 PSF – Design 75 PSF – Overload	Medium: 0.58 Wide: 0.59	Medium: 0.52 Wide: 0.53	57

** U-Factor per NFRC 100. COG = 0.24 with warm edge spacer, 1-3/4" x 4-1/2" non-thermal frame.

Refer to the U-Factor table at: www.tubeliteinc.com/products/entrances/thermlblock-thermal-doors/ for other glass makeups and configurations.

DISCLAIMER: Tubelite takes no responsibility for product selection or application, including, but not limited to, compliance with building codes, safety codes, laws, merchantability or fitness for a particular purpose; and further disclaims all liability for the use, in whole or in part, of this Technical Guide in preparation of project specifications and/or other documents. Technical Guides are subject to change at any time, without notice, and at Tubelite's sole discretion. ©2015 Tubelite Inc.

102020

TUBELITE[®]
DEPENDABLE

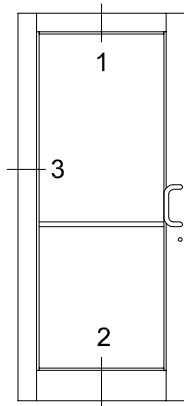
LEADERS IN ECO-EFFICIENT STOREFRONT,
CURTAINWALL AND ENTRANCE SYSTEMS

THERMAL ENTRANCES

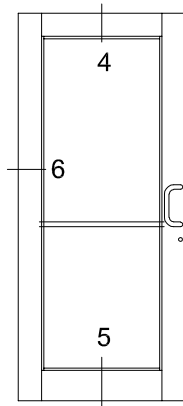
Tubelite reserves the right to change system configuration without prior notice when deemed necessary for product improvements.

Laws and building & safety codes governing the design and use of glazed entrance, window and curtain wall systems vary widely. Tubelite does not control the selection of product configurations, operating hardware or glazing materials, and assumes no responsibility thereof.

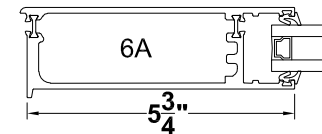
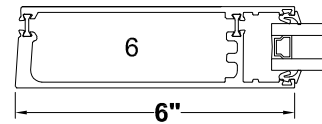
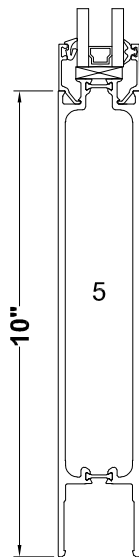
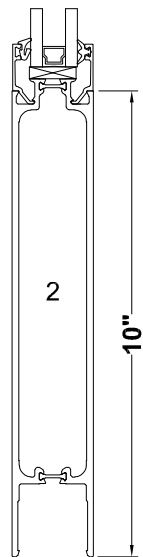
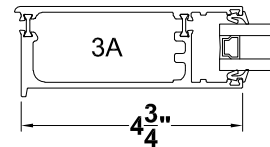
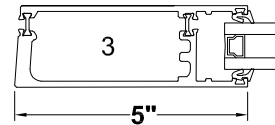
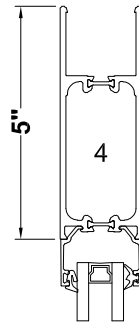
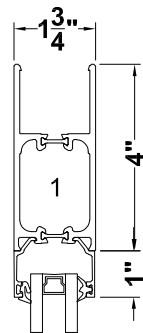
Standard Details 1/4 scale



Medium Stile



Wide Stile



February 2020

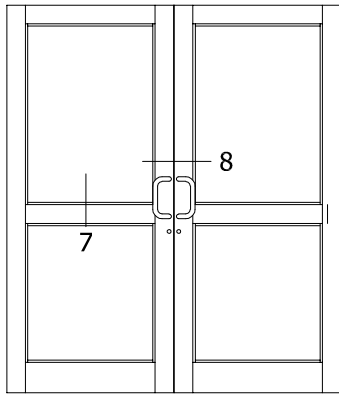
TUBELITE®
DEPENDABLE
LEADERS IN ECO-EFFICIENT STOREFRONT,
CURTAINWALL AND ENTRANCE SYSTEMS

For specific product applications, contact your Tubelite representative.
Details on this page represent standard details found on our website.
For more options, visit our website at www.tubeliteinc.com/thermlblock-entrances/

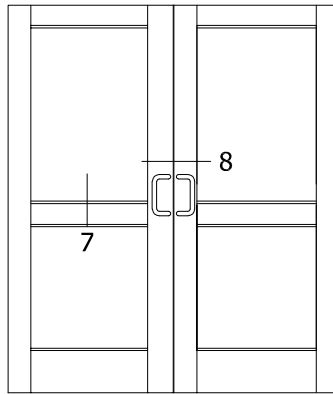
THERMAL ENTRANCES

Tubelite reserves the right to change system configuration without prior notice when deemed necessary for product improvements.

Laws and building & safety codes governing the design and use of glazed entrance, window and curtain wall systems vary widely. Tubelite does not control the selection of product configurations, operating hardware or glazing materials, and assumes no responsibility thereof.

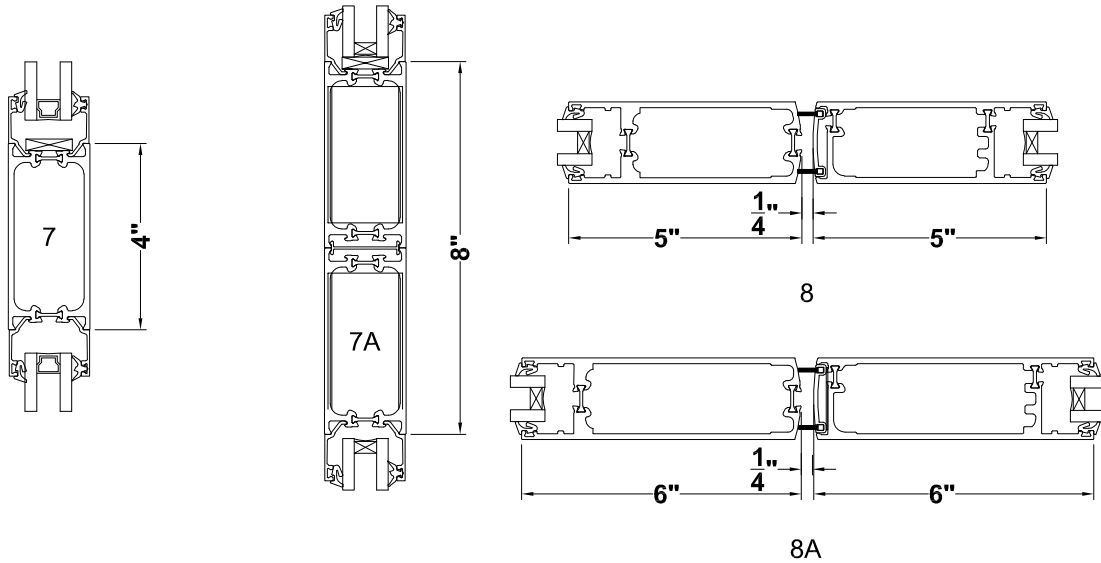


Medium Stile



Wide Stile

Standard Details 1/4 scale



February 2020

TUBELITE[®]
DEPENDABLE
LEADERS IN ECO-EFFICIENT STOREFRONT,
CURTAINWALL AND ENTRANCE SYSTEMS

For specific product applications, contact your Tubelite representative.
Details on this page represent standard details found on our website.
For more options, visit our website at www.tubeliteinc.com/thermlblock-entrances/