

UniVent 1375AW Insert Vent

Let fresh air into the building using natural ventilation with Tubelite's new UniVent 1375AW Series Windows. These operable windows are engineered to complement and seamlessly integrate within mid- to high-rise commercial buildings' storefront and curtainwall systems

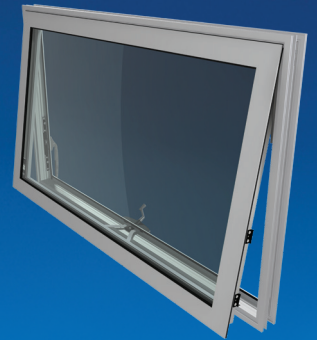
These architectural rated windows have a frame depth of 2-3/4" (70mm) for dual glazed IGU's with mitered/sealed corners and crimped on an "L" shaped clip. Maximum sizes up to 72 by 36 inches (1828.8mm x 914.4mm) for hoppers, 36 by 62 (914.4mm x 1574.8mm) inches for project-out casements, and 66 x 36 (1676mm x 914.4mm) for awning windows.

UniVent 1375AW Series Windows are tested to meet AW Architectural Performance Class, the most stringent performance and durability requirements of North American Fenestration Standard /Specification for windows, doors, and skylights (NAFS-17) plus the AAMA/WDMA/CSA 101/I.S.2/A440-19 Canadian supplement. This industry standard includes high-performance criteria for air, water and structural integrity, lifecycle testing to 4,000 operating cycles.

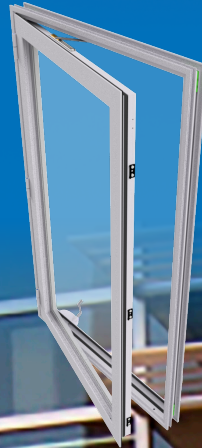
Thermi-Block
HIGH PERFORMANCE THERMAL FRAMING



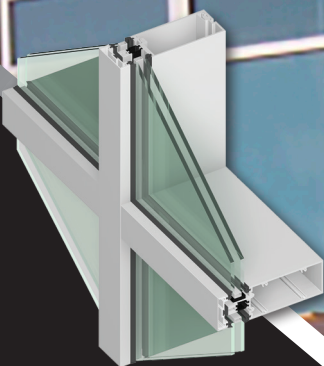
Awning



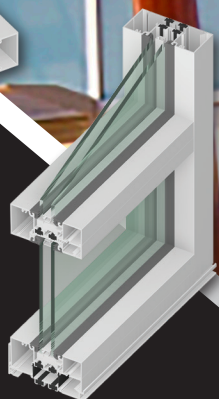
Casement



Hopper Vent



400TU
Curtainwall



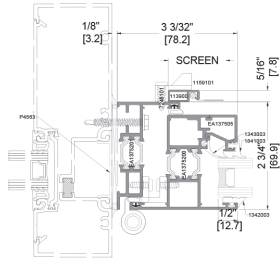
TU24000
Storefront

ALSO
USED
WITH

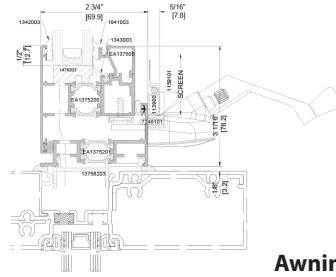
TUBELITE
DEPENDABLE

LEADERS IN ECO-EFFICIENT STOREFRONT,
CURTAINWALL AND ENTRANCE SYSTEMS

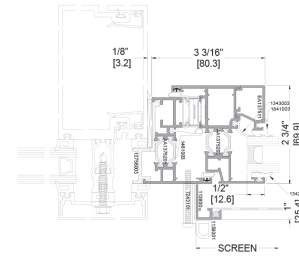
UniVent 1375AW Insert Vent



Casement



Awning



Hopper

System Features:

- Integrates with storefront using a flush glaze adaptor.
- Adjustable hardware.
- Handle finishes in Silver, White and Black.
- Can be integrated in all Tubelite curtain wall systems
- Open-in (Hopper & Casement) and Open-out (Awning & Casement) window options
- Polyamide thermal break provides u-factor of 0.37 (Dual Glazed) and permits two-color interior/exterior finishes
- 2-3/4" (69.85mm) System Depth – Dual IGU
- Open-out Casement/Awning Windows have CAM handles.
- Open-out Casement/Awning Windows with optional Custodial Lock have Roto-operator/Multi-point locking hardware.
- Open-out Awning Windows with optional ADA Handle have Roto-operator/Multi-point locking hardware.
- Open-in Hopper/Casement Windows with optional Custodial Lock have a central seal and multi-point locking hardware.
- Factory-fabricated only for 2-year standard warranty (can be extended to 5-year)

UniVent 1375AW Insert Vent	Awning	Casement	Hopper	Casement
Application	Project Out	Project Out	Project In	Project In
Frame Joints	Mitered, 2 Corner Keys			
Window Joints	Mitered, 2 Corner Keys			
Glass Thickness	1" [25.4mm], 1 1/16" [27mm]			
Face Width	2-3/4" (70mm) Dual	2-3/4" (70mm) Dual	2-7/16" (62mm) Dual	2-3/4" (70mm) Dual
Frame Depth	2-3/4" (70mm) Dual	2-7/16" (62mm) Dual	2-7/16" (62mm) Dual	2-3/4" (70mm) Dual
Hardware	4-bar hinges, Cam Lock or optional roto operator with Multi-point lock or optional custodial lock with removable handle	Butt hinges, Cam lock, optional roto operator with Multi-point lock handle or optional custodial lock with removable handle, optional egress lock with opening restrictor	4-Bar hinges, Multi point lock handle, optional custodial lock with removable handle	4-Bar hinge or concealed Euro Hinge with Multi point lock handle, optional custodial lock with removable handle. Optional Egress with opening restrictor
ASTM E331 AND E547 Uniform and Cyclic Static Water	15 PSF (720pa)			
U-Factor**	0.37		0.37	
Air Infiltration and Exfiltration @6.27 psf	0.02 cfm/ft ² 0.04 cfm/ft ²	0.09 cfm/ft ² 0.06 cfm/ft ²	0.09 cfm/ft ² 0.09 cfm/ft ²	0.06 cfm/ft ² 0.06 cfm/ft ²
AAMA/WDMA/CSA 101 I.5.2/A440-17, NAFS Testing	AW PG60 (with other Locks) AW PG60 (with Cam Lock)	AW PG80	AW PG80	AW PG80
AAMA910 Life Cycle Tested	4000 Cycles			
CRF (AAMA 1503-2010)	Dual: 69		Dual: 62	
Acoustic	1" 35 STC/29 OITC, 1 1/16" 39 STC/34 OITC 1 3/4" 36 STC/29 OITC		1" 36 STC/30 OITC, 1 1/16" 39 STC/33 OITC 1 3/4" 36 STC/29 OITC	
ASTM F588	Grade 40, Forced Entry			

** U-Factor per NFRC 100. Refer to the U-Value table at: www.tubeliteinc.com/products/operable-windows/

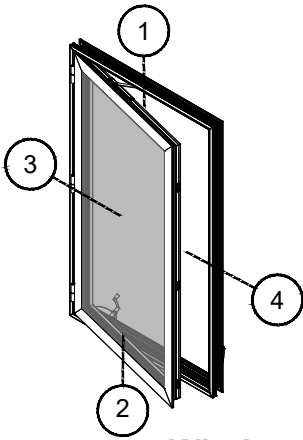
DISCLAIMER: Tubelite takes no responsibility for product selection or application, including, but not limited to, compliance with building codes, safety codes, laws, merchantability or fitness for a particular purpose; and further disclaims all liability for the use, in whole or in part, of this Technical Guide in preparation of project specifications and/or other documents. Technical Guides are subject to change at any time, without notice, and at Tubelite's sole discretion. ©2017 Tubelite Inc.

010523

TUBELITE®

DEPENDABLE

CASEMENT INFORMATION



	ROTO-MPL	CAM HANDLES
*MIN DIMENSIONS	**16 5/8" x 21" [422 x 533]	**16" x 24" [406 x 610]
*MAX DIMENSIONS	**36" x 62" [914 x 1575] or 27" x 84" [686 x 2134]	**36" x 54" [914 x 1372]
SCREEN	OPTION	OPT. (wicket)
MAX OPENING	VARIES	VARIES
EGRESS	OPTION	OPTION
LIMITED OPENING	OPTION @ 4"	OPTION @ 4"
CUSTODIAL LOCK	OPTION	N/A

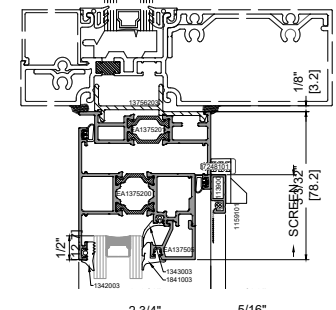
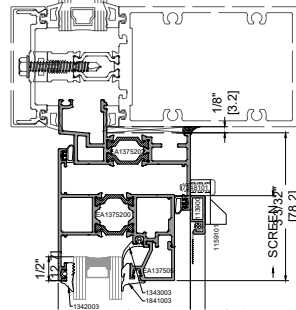
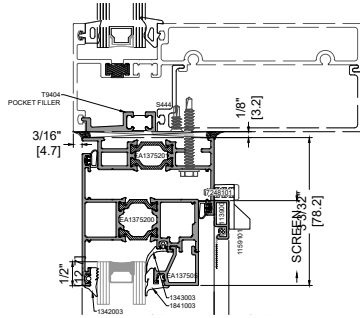
*Based on (DLO) dimensions
 **Width/Height ratio exceeding 65% is not recommended
 [] Dimensions in brackets are in [mm] millimeters

Window Wall Integration

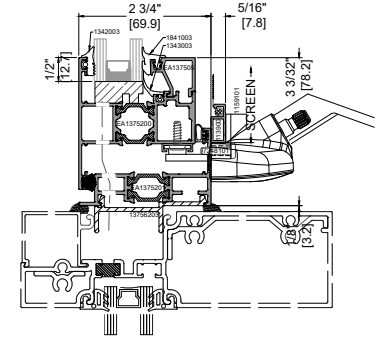
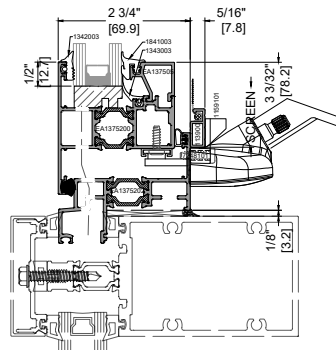
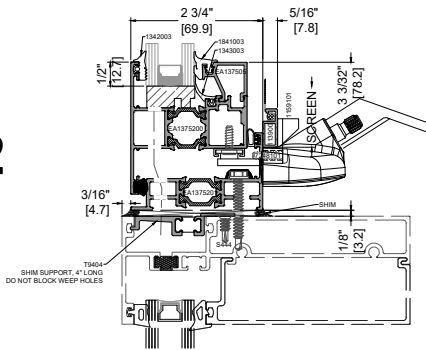
Curtain Wall Integration

Storefront Integration

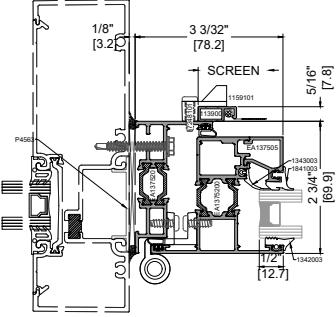
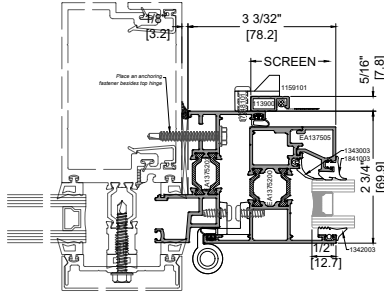
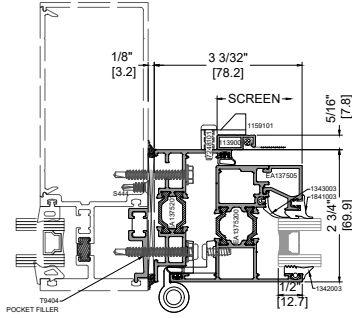
1



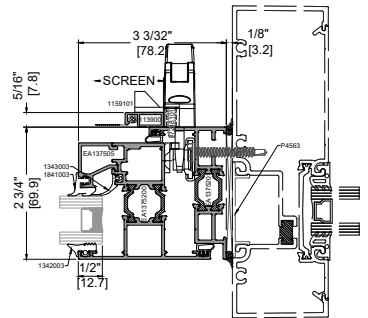
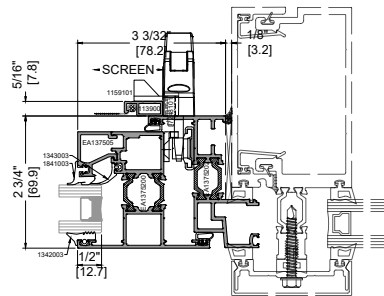
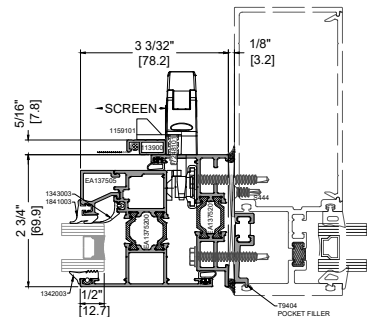
2



3



4

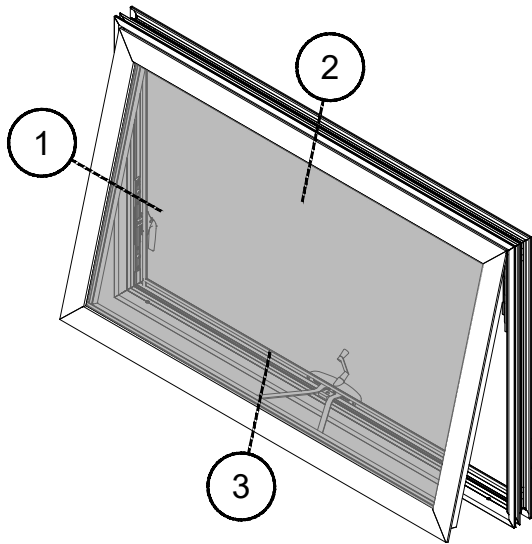


Standard Details
 1/4 scale

March 2022



AWNING INFORMATION



	ROTO-MPL	CAM HANDLES
*MIN DIMENSIONS	19 5/8" x 21" [498 x 533]	16" x 16" [406 x 406]
*MAX DIMENSIONS	66" x 36", [1676 x 914] or 60" x 36" [1524 x 914] 36" x 78", [914 x 1981]	36" x 54" [914 x 1372]
SCREEN	OPTION	OPT. (wicket)
MAX OPENING	2 1/4" < 30 5/8" W [57 < 778] 7 1/2" > 30 5/8" W [191 > 778]	VARIABLES
LIMITED OPENING	OPTION @ 4" [102]	OPTION @ 4" [102]
CUSTODIAL LOCK	OPTION	N/A

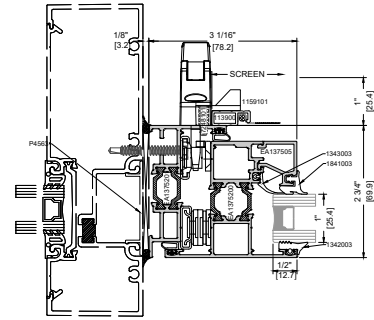
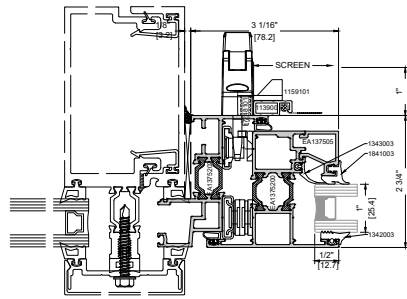
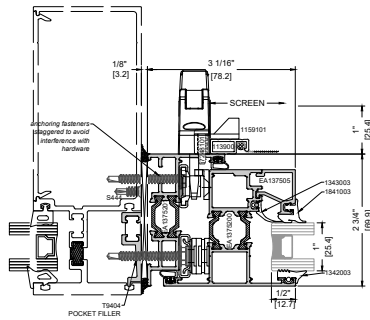
*Based on (DLO) dimensions
[] Dimensions in brackets are in [mm] millimeters

Window Wall Integration

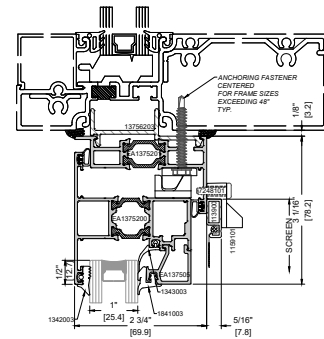
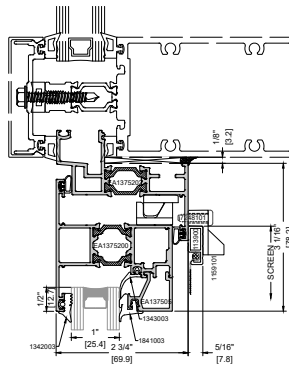
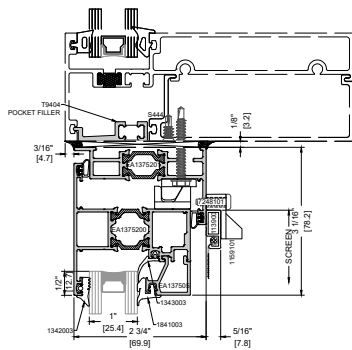
Curtain Wall Integration

Storefront Integration

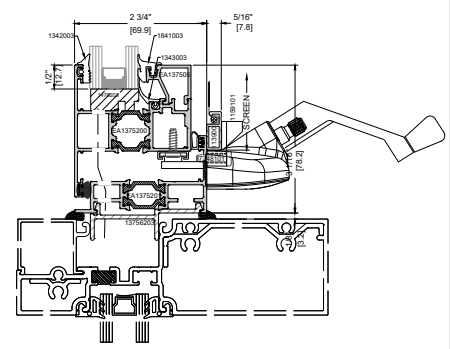
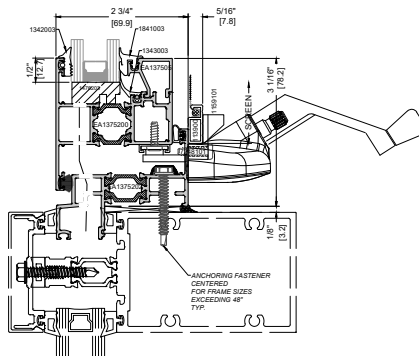
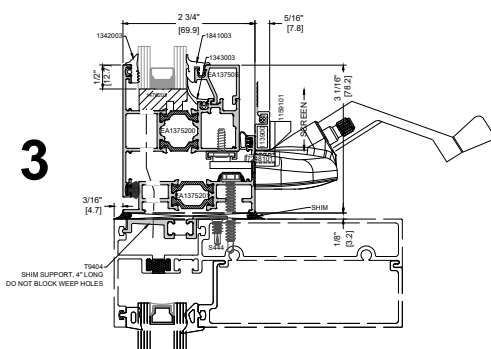
1



2



3



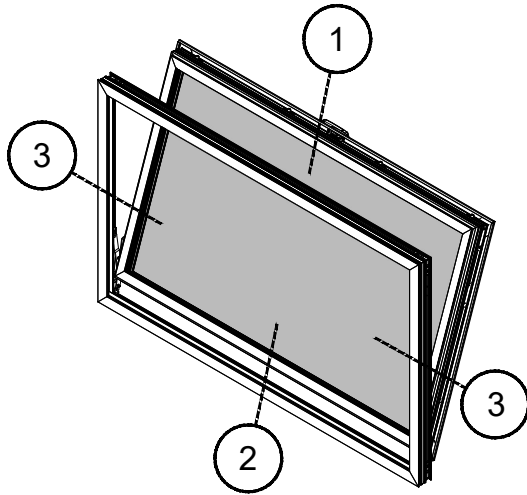
Standard Details
1/4 scale

March 2022

HOPPER INFORMATION

	MPL
*MIN DIMENSIONS	16" x 16" [406 x 406]
*MAX DIMENSIONS	72" x 38" [1829 x 965] or 36" x 60" [914 x 1524]
SCREEN	OPTION
MAX OPENING	VARIABLE
LIMITED OPENING	OPTION @ 4" [102]
CUSTODIAL LOCK	OPTION

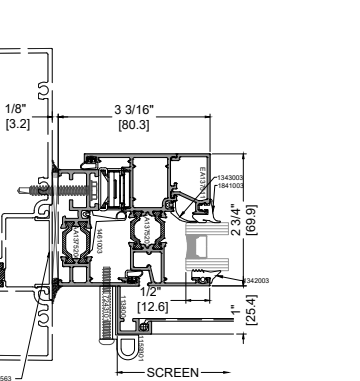
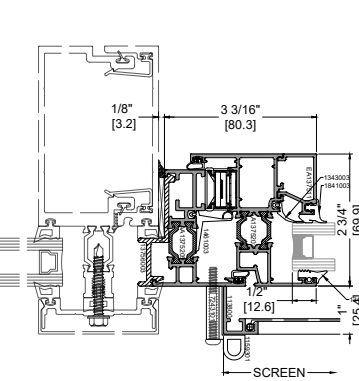
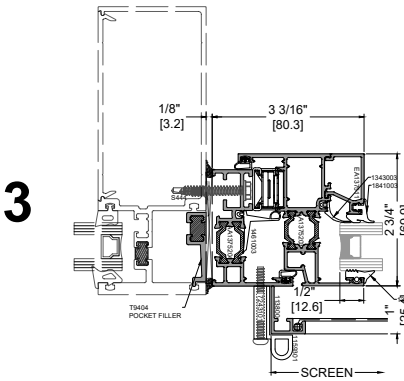
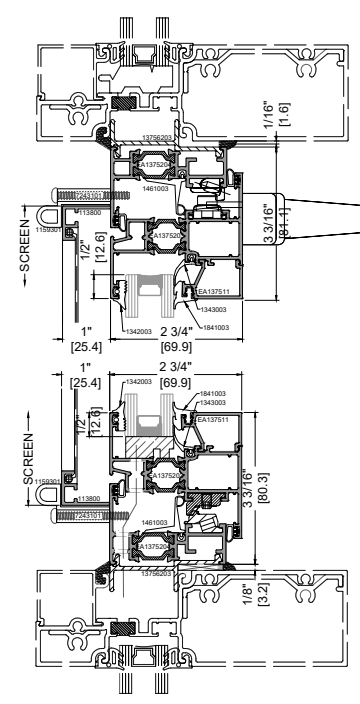
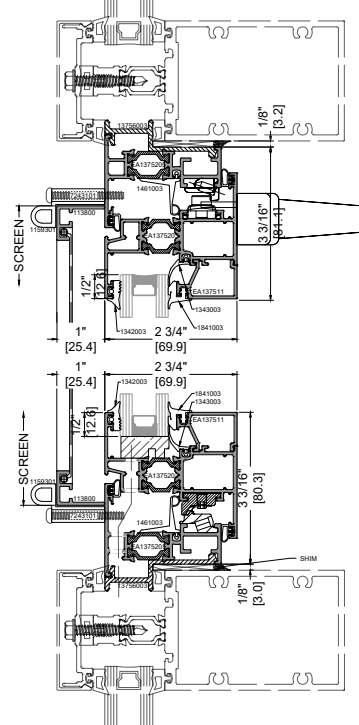
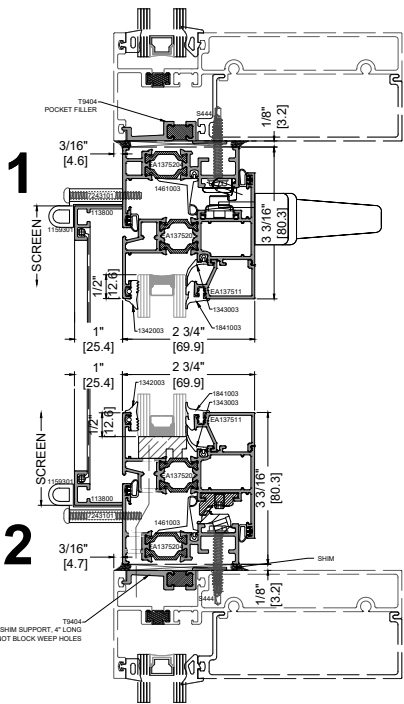
*Based on (DLO) dimensions
 [] Dimensions in brackets are in [mm] millimeters



Window Wall Integration

Curtain Wall Integration

Storefront Integration



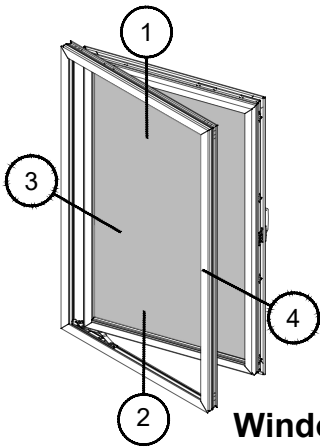
Standard Details
 1/4 scale

March 2022

PI CASEMENT INFORMATION

	MPL
*MIN DIMENSIONS	16" x 16" [406 x 406]
*MAX DIMENSIONS	36" x 64" [914 x 1626] or 28" x 84" [711 x 2134]
SCREEN	OPTION
MAX OPENING	VARIES
EGRESS	OPTION
LIMITED OPENING	OPTION @ 4" [102]
CUSTODIAL LOCK	OPTION

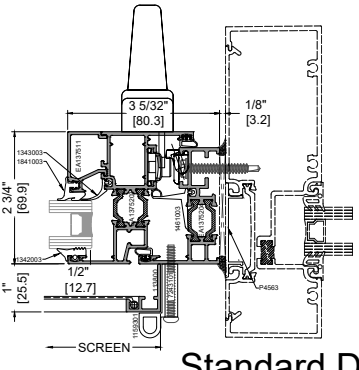
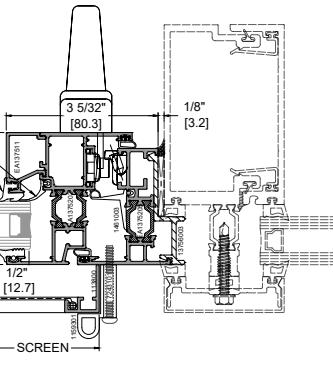
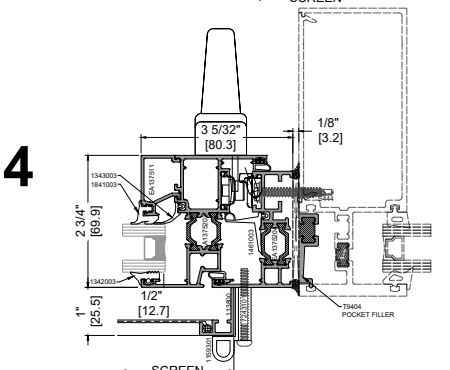
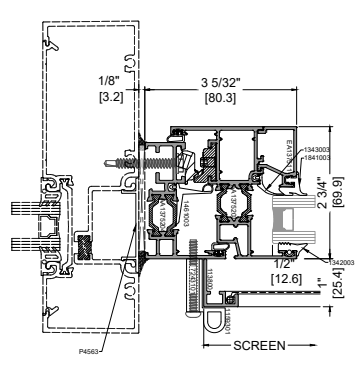
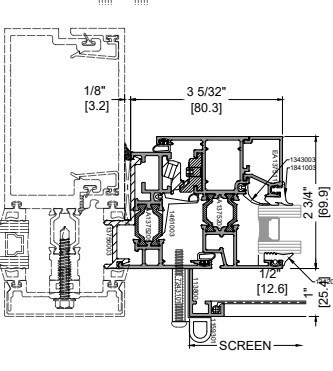
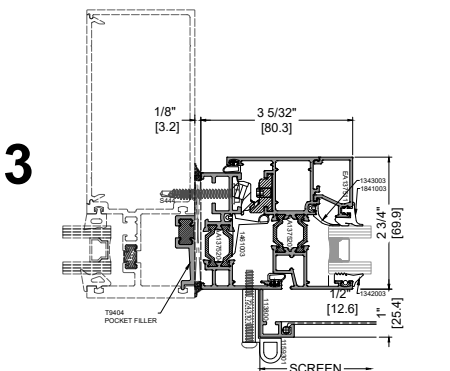
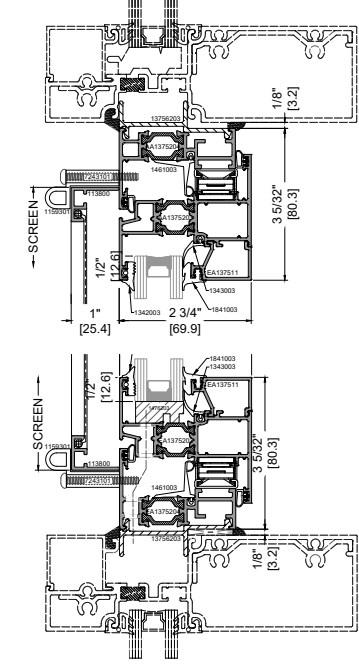
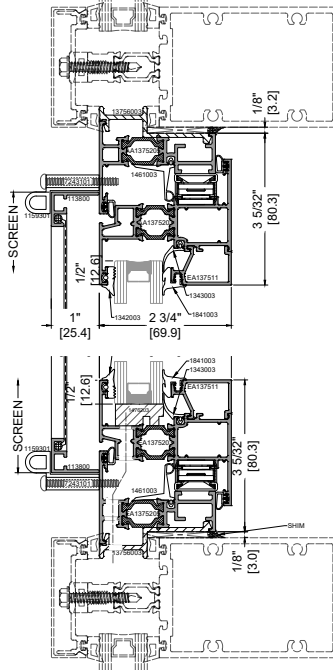
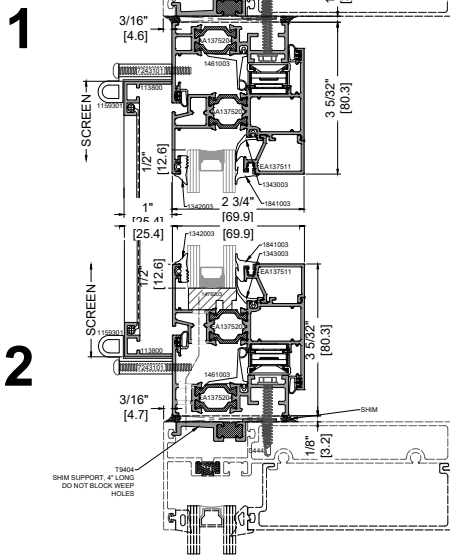
*Based on (DLO) dimensions
 **Width/Height ratio exceeding 65% is not recommended
 [] Dimensions in brackets are in [mm] millimeters



Window Wall Integration

Curtain Wall Integration

Storefront Integration



4

Standard Details
1/4 scale

March 2022