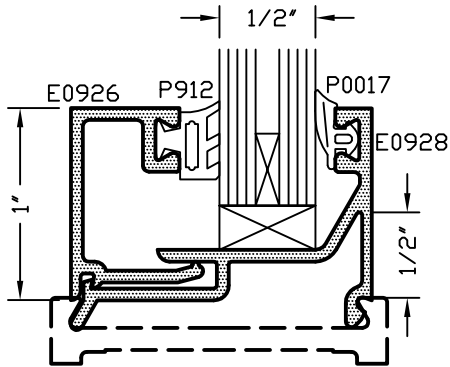


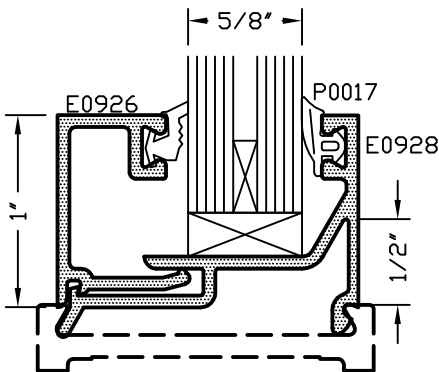
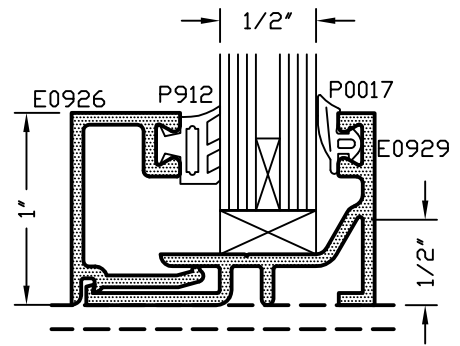
Glazings & Door Stops

Glazings for 1/2" - 7/8" Infill

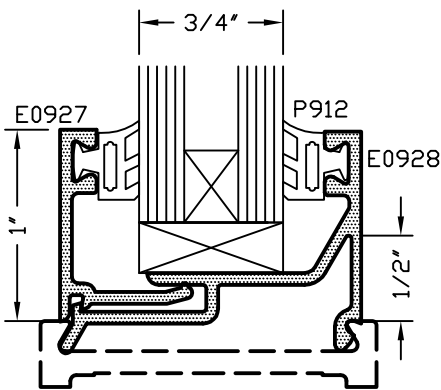
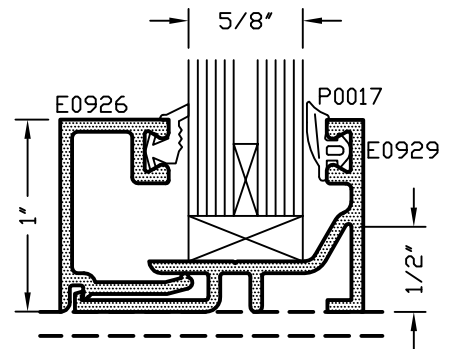
CAD DETAIL FILE NO.
370GS001



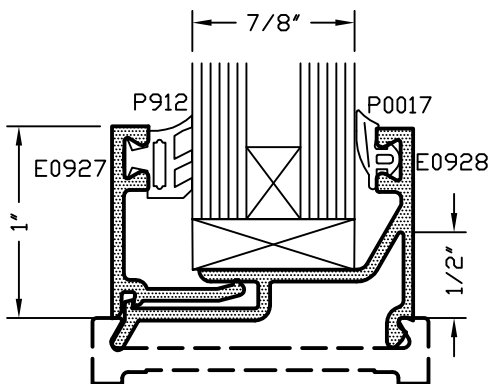
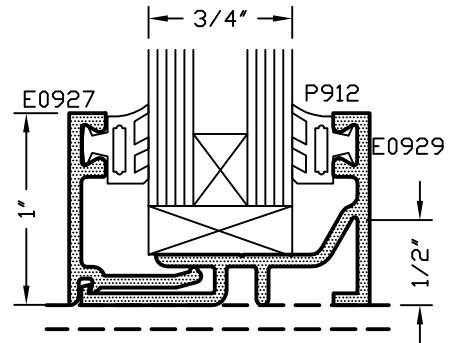
1/2" INFILL



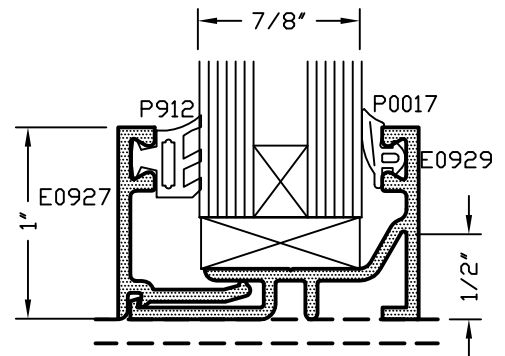
5/8" INFILL



3/4" INFILL



7/8" INFILL



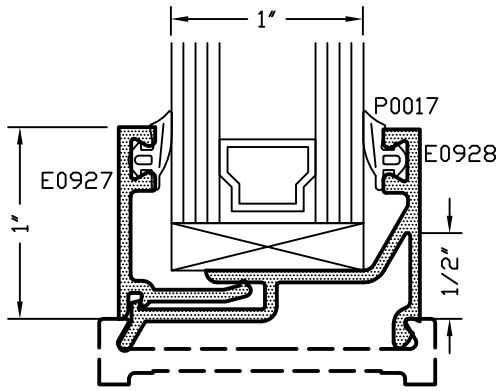
*SETTING BLOCKS SHOWN ARE NOT BY TUBELITE

9.02

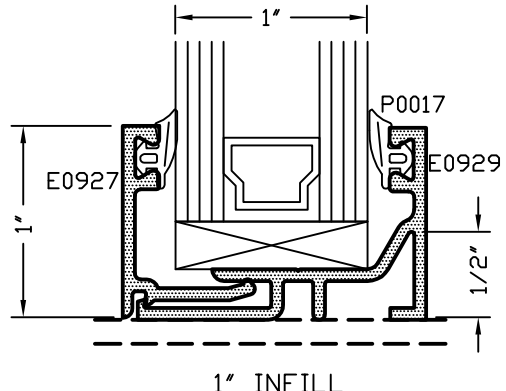
Glazings for Door Stops

Glazings for 1" Infill and Miscellaneous

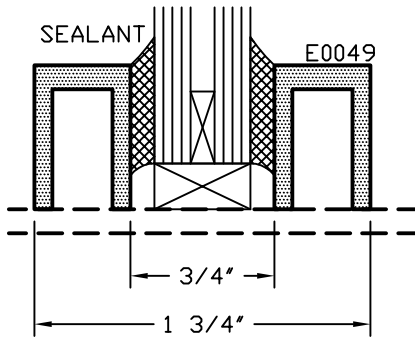
CAD DETAIL FILE NO.
370GS002



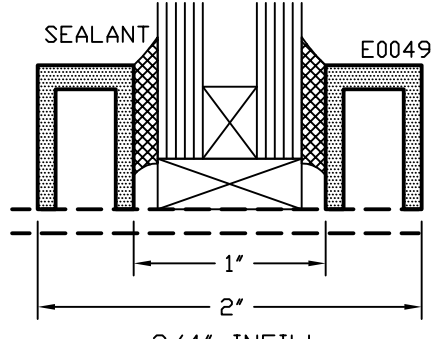
1" INFILL



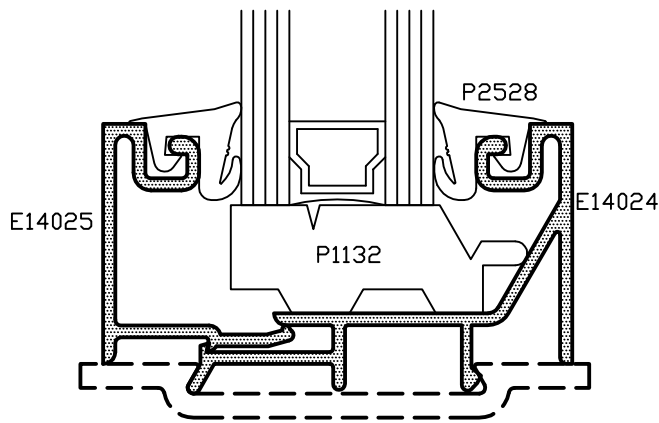
1" INFILL



1/2" INFILL
WITH CHANNEL STOPS



3/4" INFILL
WITH CHANNEL STOPS

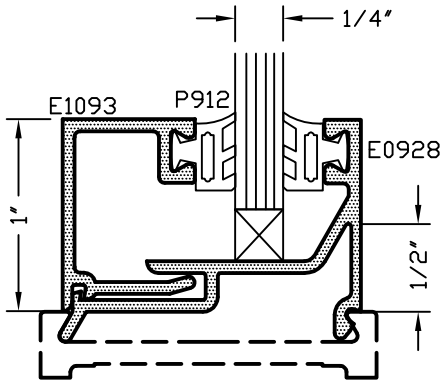


ANY DOVETAIL TUBE

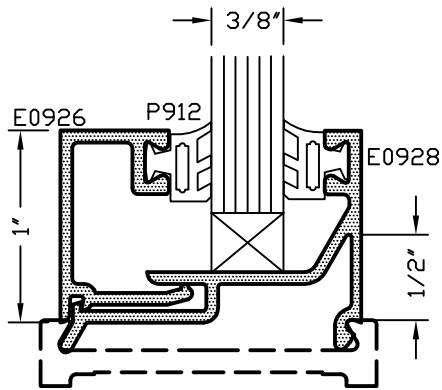
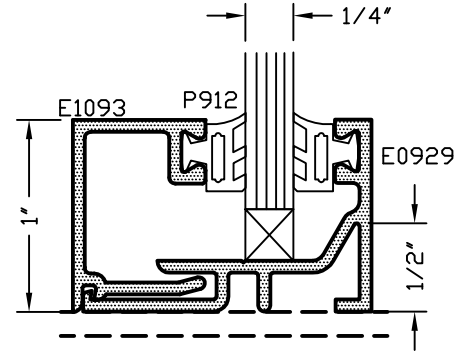
*SETTING BLOCKS SHOWN ARE NOT BY TUBELITE UNLESS NOTED WITH A PART NUMBER

Glazings & Door Stops
Glazings for 1/4" - 3/8" Infill

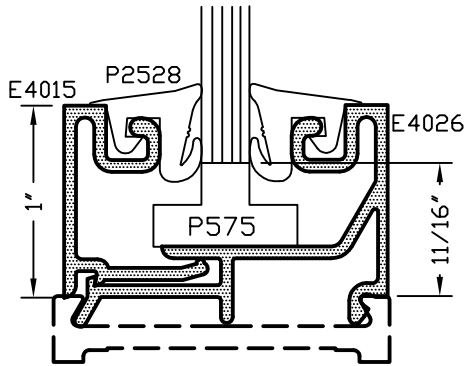
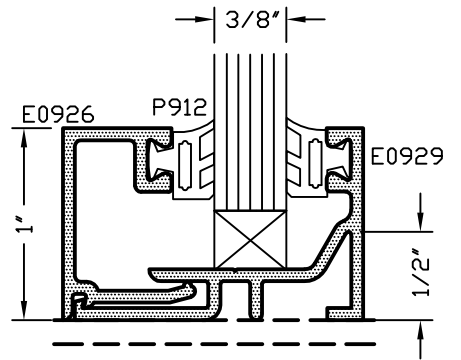
CAD DETAIL FILE NO.
 370GS003



1/4" INFILL

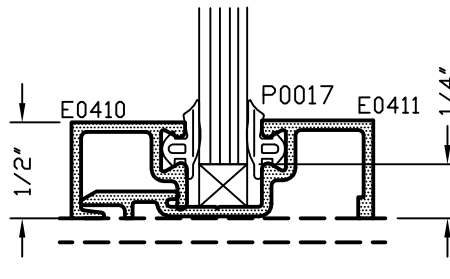
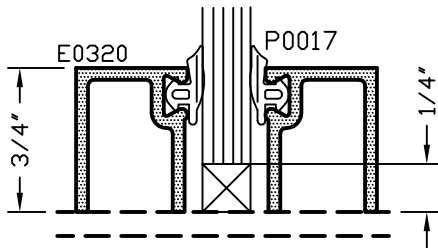
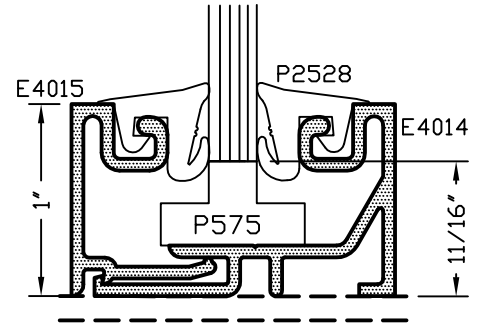


3/8" INFILL

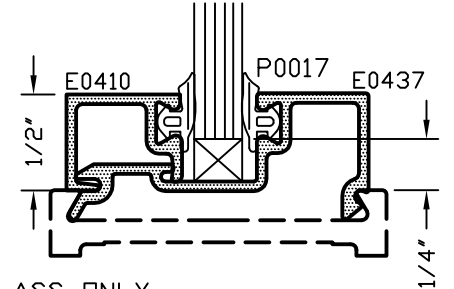


GLASS THICKNESS	USE GLAZING
3/16", 7/32", 1/4"	P2528 BOTH SIDES
5/16"	P487 & P2528
3/8"	P487 BOTH SIDES

SETTING BLOCK NUMBER P575 FOR
 3/16", 7/32", & 1/4" GLASS



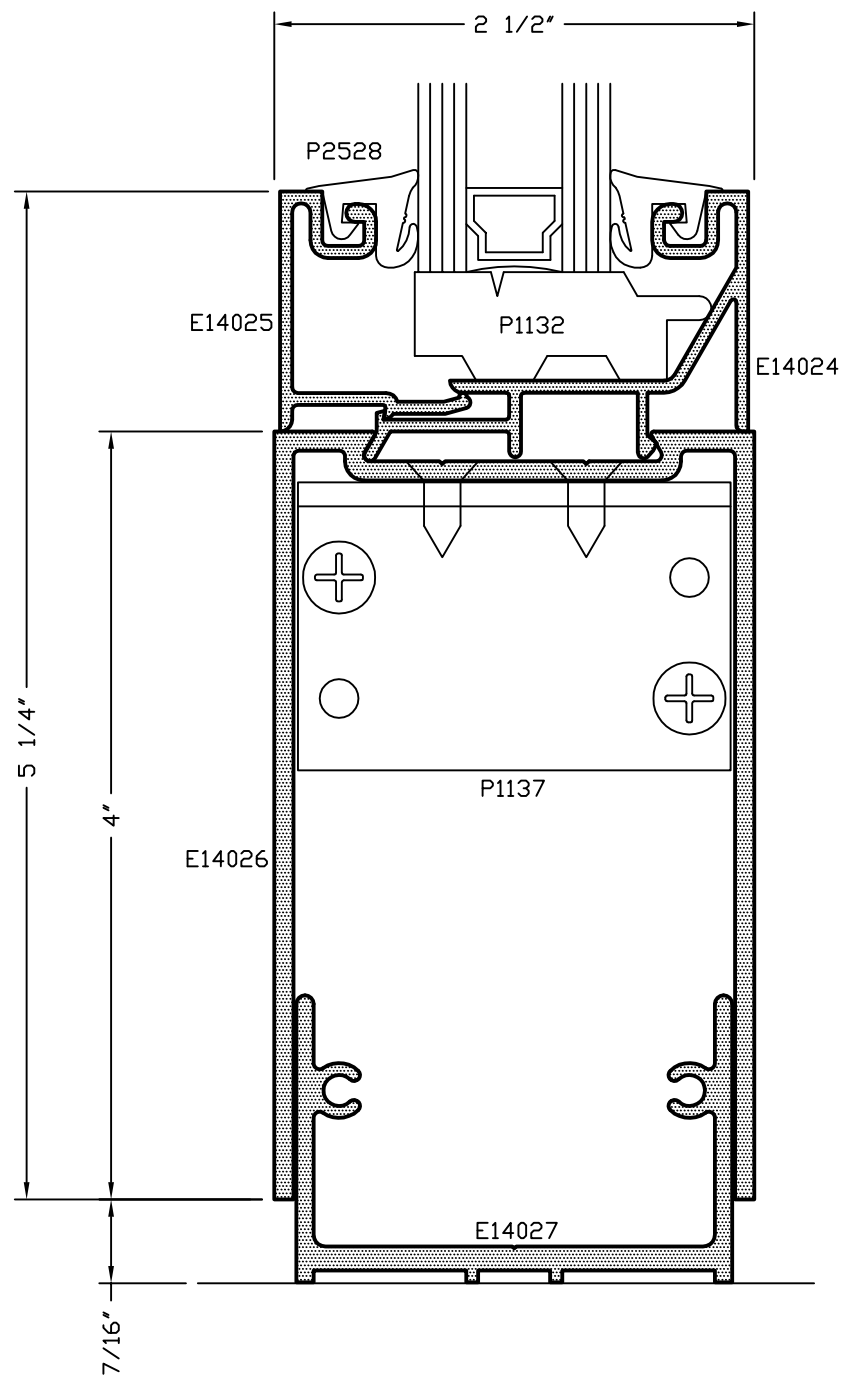
FOR 1/4" GLASS ONLY



*SETTING BLOCKS SHOWN ARE NOT BY TUBELITE UNLESS NOTED WITH A PART NUMBER

9.04 Sidelight Base Sidelight Base for 1" Infill

CAD DETAIL FILE NO.
370GS004

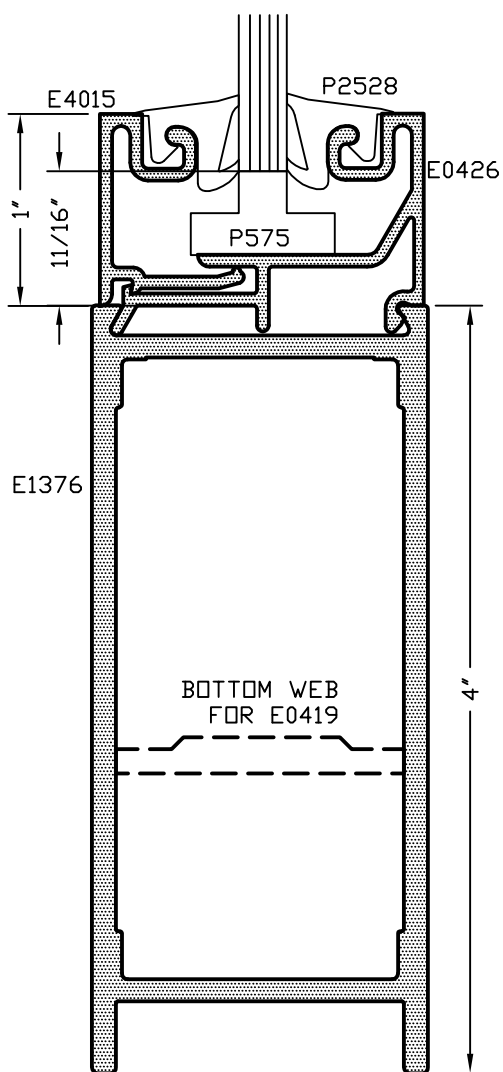


9.05

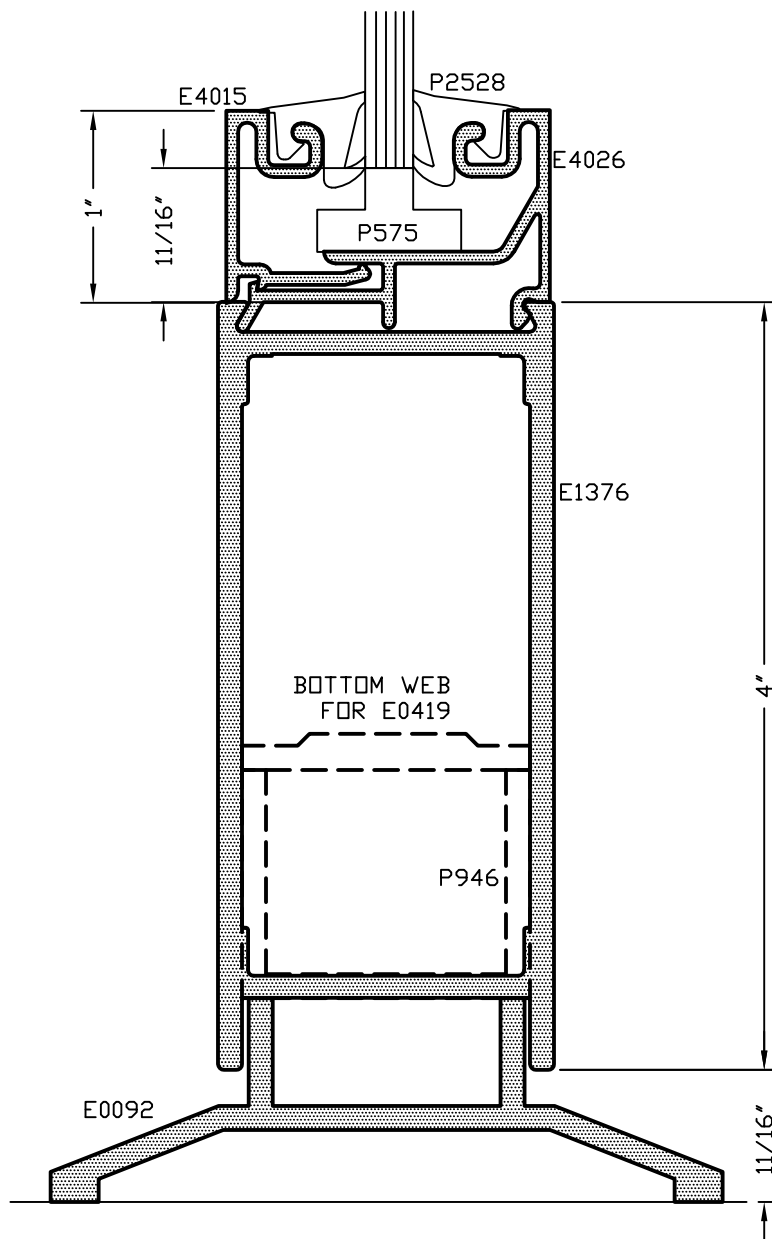
Sidelight Bases

Sidelight Base for 1/4" Infill

CAD DETAIL FILE NO.
370GS005



THIS IS STANDARD ARRANGEMENT FOR A SIDELIGHT BASE WHEN DOOR DOES NOT HAVE A THRESHOLD.



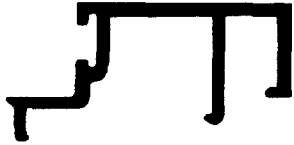
THIS IS STANDARD ARRANGEMENT FOR A SIDELIGHT WHEN DOOR HAS A THRESHOLD.

*SEALANT, ROD, & ANCHORS NOT BY TUBELITE

9.06

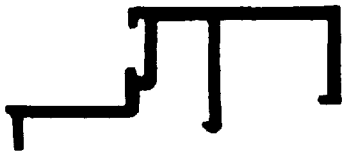
Sidelight Bases, Glazings & Door Stops

Door Stops



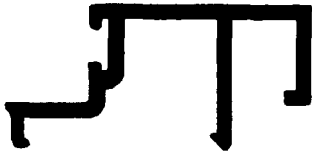
E 4531

1/2" high stop, for Standard 1 3/4" thick doors with 3/16" reveal. Use with 4500 Series & 14000 Series Flush Glaze door frames and P 1098 pile weathering.



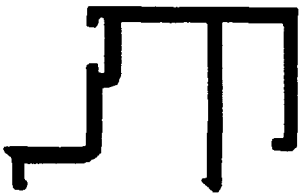
E 4031

1/2" high stop, for Standard 1 3/4" thick doors with 3/16" reveal. Use with 4000 Series Flush Glaze door frames and P 1098 pile weathering.



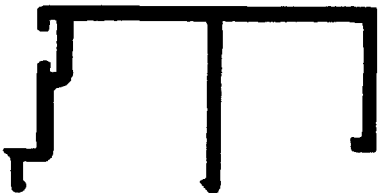
E 2942

1/2" high stop, for Monumental 2" thick doors with no reveal. Use with 4500 Series & 14000 Series Flush Glaze door frames and P 1098 pile weathering.



E 2940

3/4" high stop, for Monumental 2" thick doors with no reveal. Use with 4500 Series & 14000 Series Flush Glaze door frames and P 1098 pile weathering.



E 4558

3/4" high stop, for Standard 1 3/4" thick doors with no reveal. Use with 4500 Series & 14000 Series Flush Glaze door frames and P 1098 pile weathering.



E 4557

1/2" high stop, for Standard 1 3/4" thick doors with no reveal. Use with 4500 Series & 14000 Series Flush Glaze door frames and P 1098 pile weathering.

Sidelight Bases, Glazings & Door Stops**Door Stops****E 1377**

1/2" high stop, for Standard 1 3/4" thick doors with 3/16" reveal. Use with 4 1/2" Dovetail Series door frames and P 1098 pile weathering.

**E 0859**

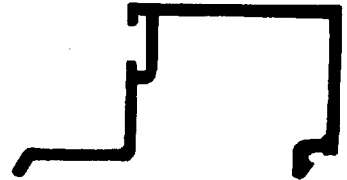
1/2" high stop, for Standard 1 3/4" thick doors with 3/16" reveal. Use with E 0854 Dovetail Series door frame and P 013A pile weathering.

**E 2911**

1/2" high stop, for Standard 1 3/4" thick doors with no reveal. Use with VersaTherm Series door frames and P 1098 pile weathering.

**E 2672**

3/4" high stop, for Standard 1 3/4" thick doors with 3/16" reveal. Use with 4 1/2" Dovetail Series door frames and P 1098 pile weathering.

**E 2300**

1/2" high stop, for Standard & Monumental doors with 3/16" reveal. Snap-fits with E 2299 screw-applied base on smooth face door frames. Use with P1098 pile weathering.

**E 2686**

3/4" high stop, for Standard & Monumental doors with 3/16" reveal. Snap-fits with E 2299 screw-applied base on smooth face door frames. Use with P 1098 pile weathering.

**E 2299**

Screw-applied base for use with E 2300 & E 2686 on smooth face door frames. Use with S 064 screw.



9.08

Sidelight Bases, Glazings & Door Stops

Door Stops



E 3031

1/2" high x 25/32" wide screw applied stop, for Standard & Monumental doors. Use with S 045 screw and P 1098 pile weathering.



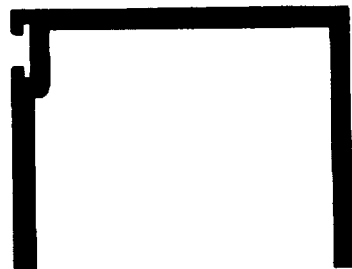
E 1572

1/2" high x 1 3/32" wide screw applied stop, for Standard & Monumental doors. Use with S 045 screw and P 1098 pile weathering.



E 1573

1/2" high x 1 3/4" wide screw applied stop, for Standard & Monumental doors. Use with S 045 screw and P 1098 pile weathering.















E 2298

1 3/8" high x 1 3/4" wide screw applied stop, for Standard & Monumental doors with Concealed Overhead Closers. Use with S 303 screw and P 1098 pile weathering.

9.09

Sidelight Bases, Glazings & Door Stops Glazing Gaskets/Weathering

Illustration	Part Number	Description	Unit	Rolls Per Box
	P 1431	Vinyl Gasket - .072" Face Clearance Use with E0437, E0410, E0411 - 1/4" Infill	750'-0" Rolls	3
	P 912	Vinyl Gasket - .219" Face Clearance Use with E0926, E0927, E0929 - 3/4" Infill	250'-0" Rolls	-
	P 302	Vinyl Gasket - .094" Face Clearance Use with E0926, E0927, E0929 - 1" Infill	750'-0" Rolls	3
	P 1477	Vinyl Gasket - .040" Face Clearance Use with E0437, E0410, E0411 - 1/4" Infill	500'-0" Rolls	-
	P 1112	Vinyl Gasket - .1875" Face Clearance Use with E3094, E2892 - 1" Infill	500'-0" Rolls	-
	P-2528	Vinyl Gasket - .2188" Face Clearance Use with E4000, E4500, E14000 - 1/4" to 1" Infill	250'-0" Rolls	-
	P 487	Vinyl Gasket - .0838" Face Clearance Use with E4000, E4500, E14000 - 1/4" to 1" Infill	500'-0" Rolls	-
	P 1221	Vinyl Gasket - .1875" Face Clearance Use with E40116, E45116	750'-0" Rolls	-
	P 013A	Pile Weathering - Use with E0859 - Door Stop	500'-0" Rolls	4
	P 013D	Pile Weathering - Use with E0057, E0088, E0131 - Pairs of Doors	500'-0" Rolls	4
	P 1098	Pile Weathering Use with E1377, E1572, E4531 - Door Stops	2,000'-0" Rolls	2
	P 1098A	Pile Weathering with fin Use with E1377, E1572, E4531 - Door Stops	2,000'-0" Rolls	-