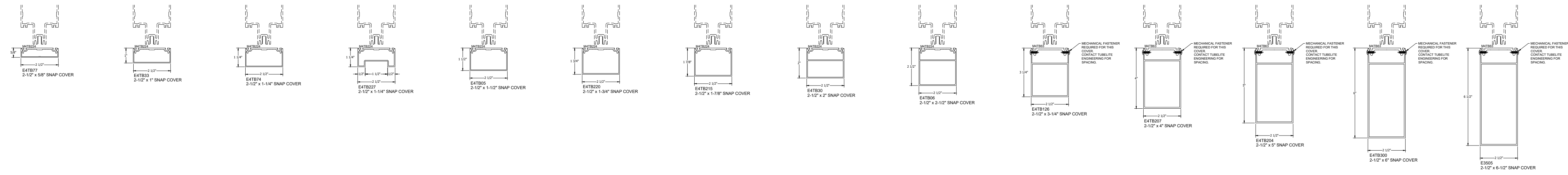
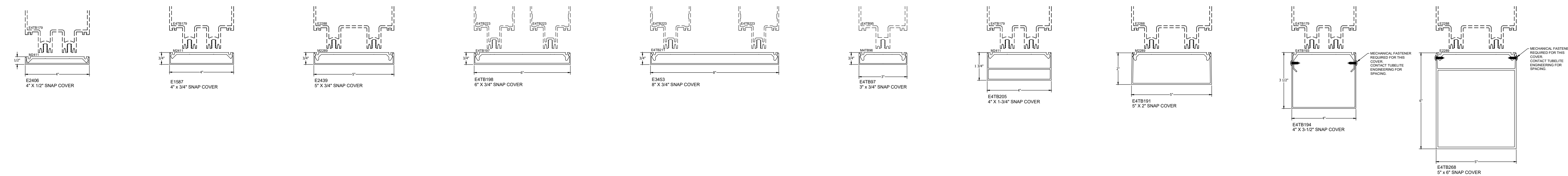


400CW / T COVER PROFILES

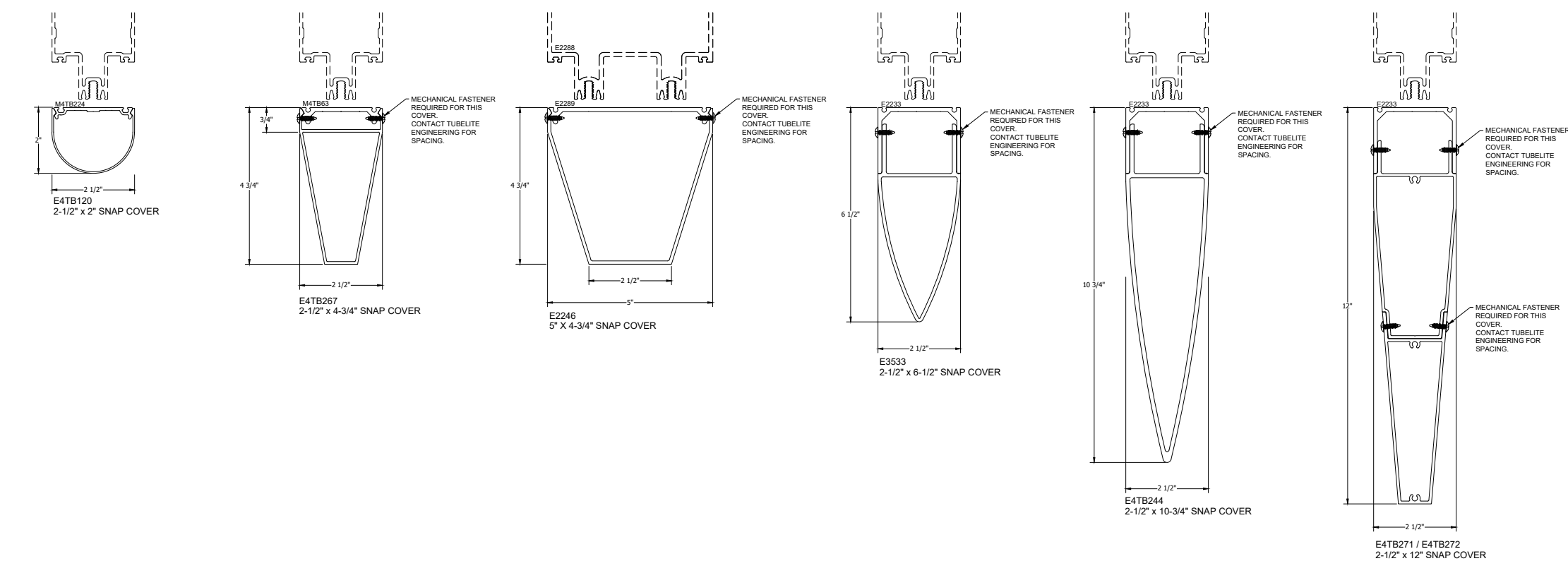


2-1/2" FACE VARIOUS DEPTHS

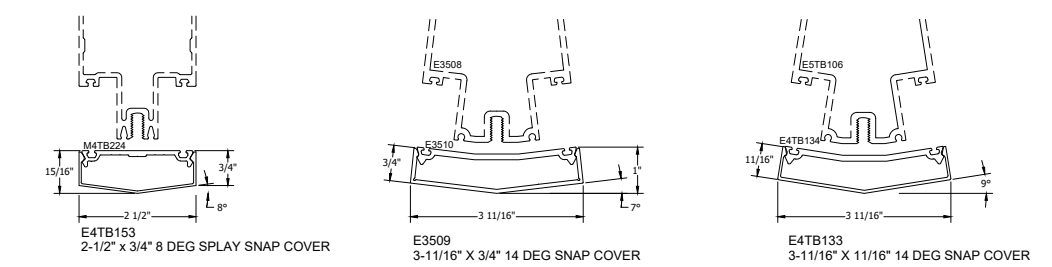
NOTE: For vertical covers greater than 5" in depth check with Tubelite engineering for suitability and review of project loads.



VARIOUS FACE DIMENSIONS / VARIOUS DEPTHS

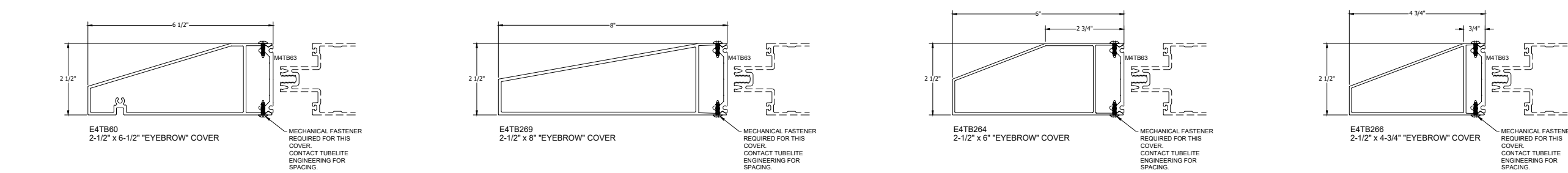


NOTE: Exterior cover profiles shown can be used for vertical application or horizontal application. Contact TUBELITE engineering for review and recommendation of attachment of covers greater 3" in depth.



ANGLED COVERS

EXTERIOR PROFILES



HORIZONTAL PROFILE / SLOPED COVERS

NOTE: Contact TUBELITE engineering to prior to use of horizontal to review loads and proper attachment of covers.

TUBELITE®

DEPENDABLE

LEADERS IN ECO-EFFICIENT STOREFRONT,
CURTAINWALL AND ENTRANCE SYSTEMS

Last Revised: 06-09-2019