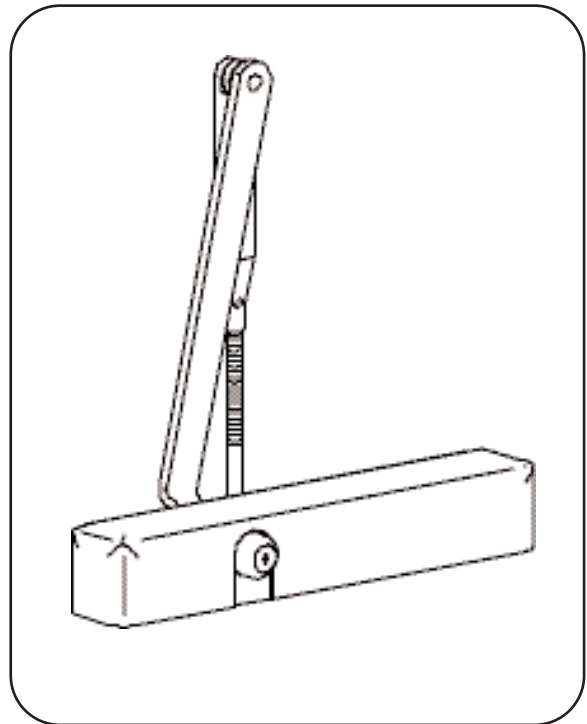
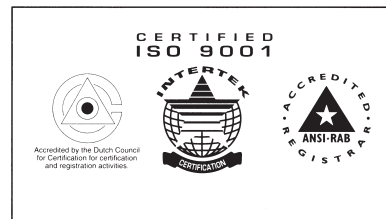


7400 AR Arm



7400 Slim Cover AR Arm



DORMA By Choice™

The quality management system at the Reamstown, Pennsylvania facility is certified to ISO 9001*.

*DORMA Door Controls, Inc. d.b.a. DORMA Architectural Hardware

0606

DORMA 7400 SERIES

Applications:

The 7400 Series is designed to provide a highly flexible door control system suitable for use on all hollow metal, aluminum, and wood doors typically used in commercial construction. It is available in adjustable spring sizes: 1-4 and 3-6.

Doors may be mounted with either ball bearing hinges or pivots. Special brackets and other adapting hardware are available with the 7400 Series product.

Listings & Approvals:

- ANSI Grade 1.
- UL and ULC.
- UL10C for positive pressure.
- UBC 7.2 1997.
- CSFM.
- M.E.A.

Warranty: 25 Years.

Range of Door Sizes:

- Exterior door widths to 48" (1219 mm).
- Interior door widths to 48" (1219 mm).
- Door heights to 96" (2438 mm).
- Door weights to 250 pounds (114kg).
- Can be adjusted to meet ADA maximum 5 lb opening force on properly hung interior doors.

Finishes:

- Standard Sprayed Finishes:
 - Aluminum: 689.
 - Bronze: 691 (Dull), 690 (Statuary), or 695 (Dark Duranodic).
 - Gold: 696.
 - Black: 693.
- Custom Painted Finishes:
 - Submit sample. Customer approval required.

Special Application Assistance:

Please contact our Technical Services team at 800-523-8483 if you have any questions or need assistance in developing a custom application.

Closer Mounting Options (based on arm selection):

- Regular pull side of the door.
- Top jamb push side of the door.
- Parallel arm on push side of the door.

Arm Functions:

- Regular, Top Jamb or Parallel Arm.
- Friction hold-open.

ANSI A156.4 Grade 1 Selector Chart

Arm(s)	Hingeside	Parallel Arm	Top Jamb
FT4 Function Options	A, B, C, D, F, H	A, B, C, D, F, H	A, B, C, D, F, H

Closer Functions:

- Adjustable power.
- Adjustable backcheck intensity.
- Adjustable sweep speed.
- Adjustable latch speed.
- Optional delayed closing from maximum opening angle to approximately 70°.

Cover Options:

- Optional full plastic cover.
- Optional slim plastic cover.

Contact Information:

DORMA Architectural Hardware
 Dorma Drive, Drawer AC
 Reamstown, PA 17567-0411
 Tel: 800-523-8483
 Fax: 800-274-9724
 Email: archdw@dorma-usa.com

A DORMA Group Company

www.dorma-usa.com