

3600

S ■ E ■ R ■ I ■ E ■ S

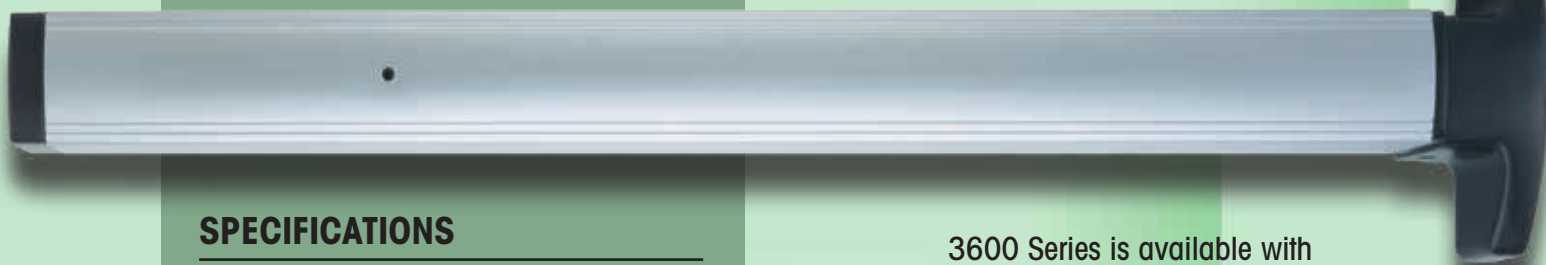
CONCEALED VERTICAL ROD EXIT DEVICE

GRADE 1 Listed –
ANSI/BHMA 156.3
UL File #SN2590 for UL305
Panic Hardware

Suitable for Narrow
Stile Doors

Standard Door Widths
36", 42", 48"

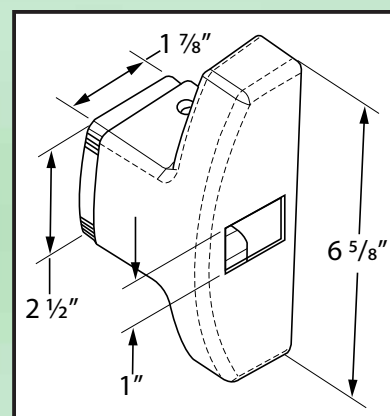
** Devices approved for Blast and Impact are part of the complete entrance system as provided by the door manufacturer. Consult your door supplier for approved models.*



SPECIFICATIONS

- Exit device shall be 3600 series concealed vertical rod device as manufactured by First Choice Building Products, Inc.
- Exit device shall have UI file #: SA12590 for UL305 and be grade 1 listed under national standard ANSI/BHMA 156.3.
- Exit device shall be a narrow style model utilizing low profile touch bar projecting 3" from face of door.
- Exit device shall use 3/8" steel vertical rods with steel latch bolts engaging stainless steel strike to lock at two points in the opening.
- Exit device shall be non-handed.
- Exit device shall have the following upgrades available:
 - ✓ Electric latch retraction (rated for continuous all day retraction.)
 - ✓ Signal switch providing the ability to monitor of the push bar position and to provide a n.o./n.c. trigger to any new or existing system.
 - ✓ Alarm control providing audible notification of unauthorized egress of the exit device.
 - ✓ Interior cylinder dogging providing interior 1/4 turn dogging of the device through the use of a standard type rim cylinder.
 - ✓ Exit device shall be field sizable.

3600 Series is available with
Motor Driven Electronic Latch Retraction



DIMENSIONS

- 2 1/2" Push Bar Height
- 3" Projection
- 40 5/8" Centerline Height Typical
- Center Case Cover -
6-5/8" Tall by 1-1/4" Wide

3600 SERIES

APPLICATIONS

- Schools
- Convention Centers
- Office Buildings
- Churches
- Retail Spaces, Etc.

DOOR/ or OTHER SIZES

- 30" to 48" Standard
- Custom Sizes Available
- Door Heights up to 9'
- Door Stiles Widths as Narrow as 2"

PRODUCT MATERIALS

- Anodized Aluminum Push Bar and Channel
- Die Cast Aluminum End Caps
- Stainless Steel Strikes
- Steel Latch Bolts
- 3/8" Steel Vertical Rods

PRODUCT WARRANTY

First Choice warrants that the products manufactured by us will be free of defects in material and workmanship for a period of two years from date of invoice.

Series L3 Levers

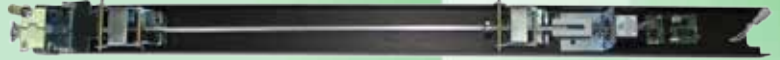
Utilizing a unique gear system these levers will operate with the 3600 CVR device and are available in anodized finishes.

Manual levers can be set for both Hold Back or a High Latch. All levers are designed for most common mortise cylinders. A security collar is included.

The electric model levers are low voltage and can be operated by remote devices such as card readers, code key devices and remote mounted switches. Power requirements are 24v DC with easy hook up at the lever.

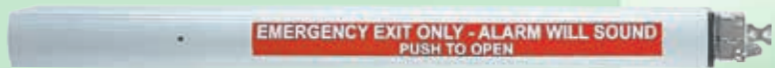


ACCESSORIES



Motorized Electric Latch Retraction

MEL is available on First Choice model 3690 vertical rod devices. These devices are equipped with a 4vDC motor suitable for high traffic conditions and capable of extended periods of activation.



Your Answer for Exit Alarm Requirements

The AL36 Series alarm kits are designed to fit inside the push bars of the Model 360 CVR exit device. The mechanism is designed for the rigorous requirements of exit hardware.

A powerful alarm emits a piercing (105 db) notification of unauthorized egress to protect persons and property. Automatic resetting means the door will remain protected at all times.

The sophisticated circuitry of the AL36 provides up to 12 months of standby power of 100 alarm cycles from a standard 9v battery. Battery monitoring is constant and a low charge signal is provided to make it easy to maintain.



Interior Cylinder Dogging

The CD36 cylinder dogging function is available for the model 3600 CVR exit device and eliminates the need for special hex keys to put the device into hold open mode.

The CD36 accepts standard Rim Type key cylinders which can be changed in the field. Just a quarter turn by key and the exit device is dogged open for unrestricted access.



Thumb-turn cylinders are also available for keyless dogging.