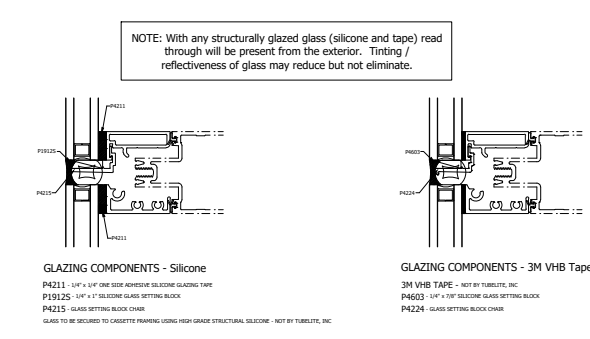
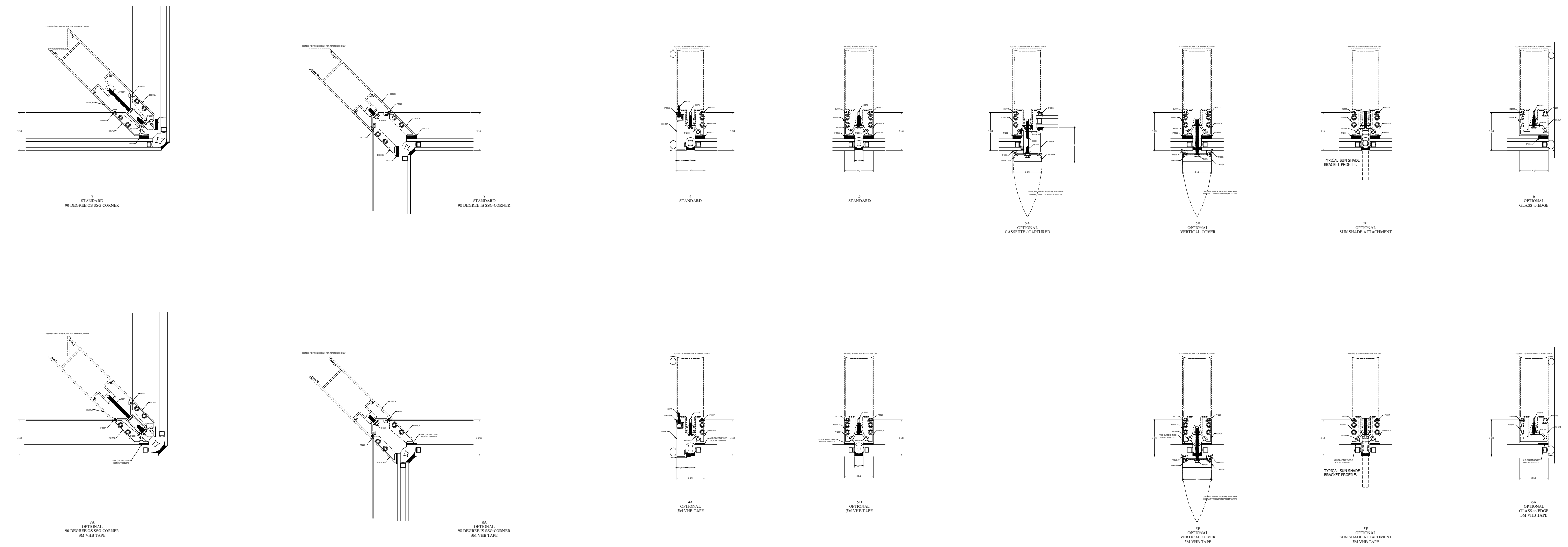
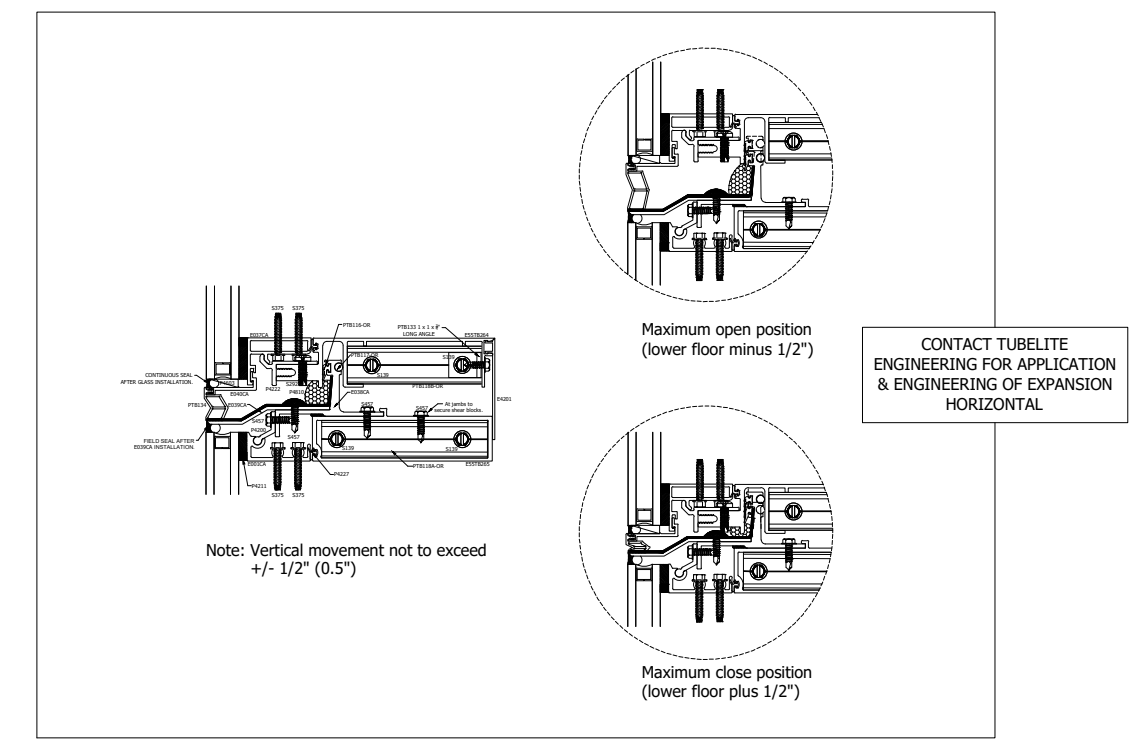
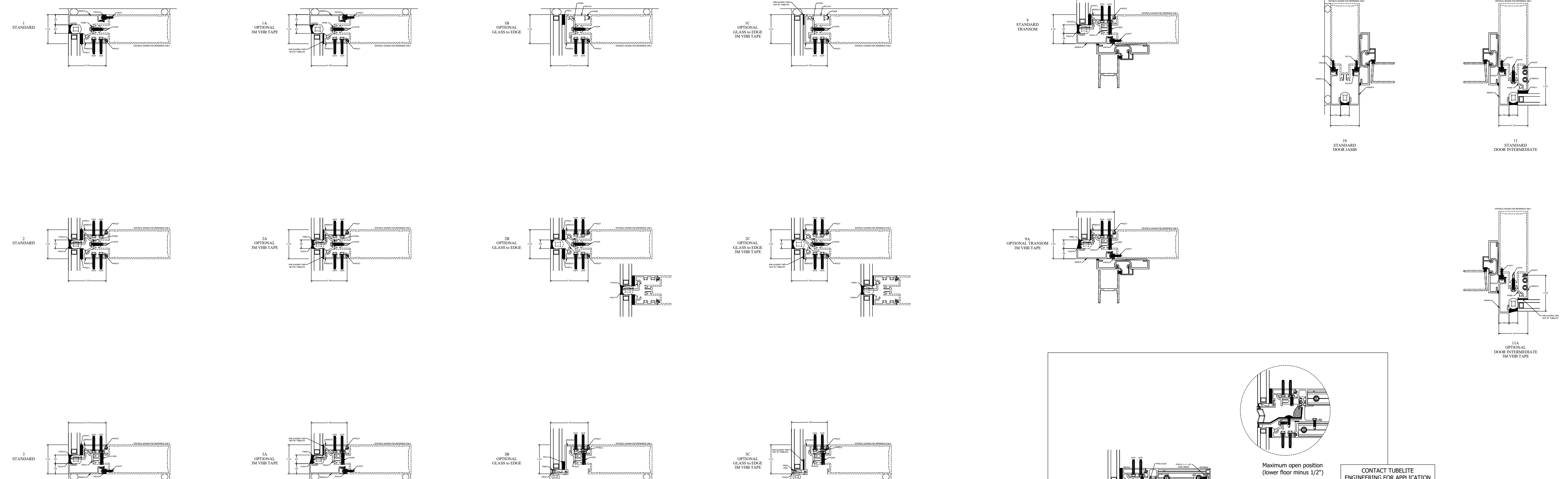


TYPICAL ELEVATION

400 CASSETTE SERIES

400 CASSETTE SERIES on 400CW/T BACK MEMBER PERIMETER SHEET
 S:\Engineering\ENGINEERING DRAWINGS\Details\285)
 400 CASSETTE SERIES



1\"/>

TUBELITE®

DEPENDABLE

LEADERS IN ECO-EFFICIENT STOREFRONT,
 CURTAINWALL AND ENTRANCE SYSTEMS

Last Revised: 01-08-2020