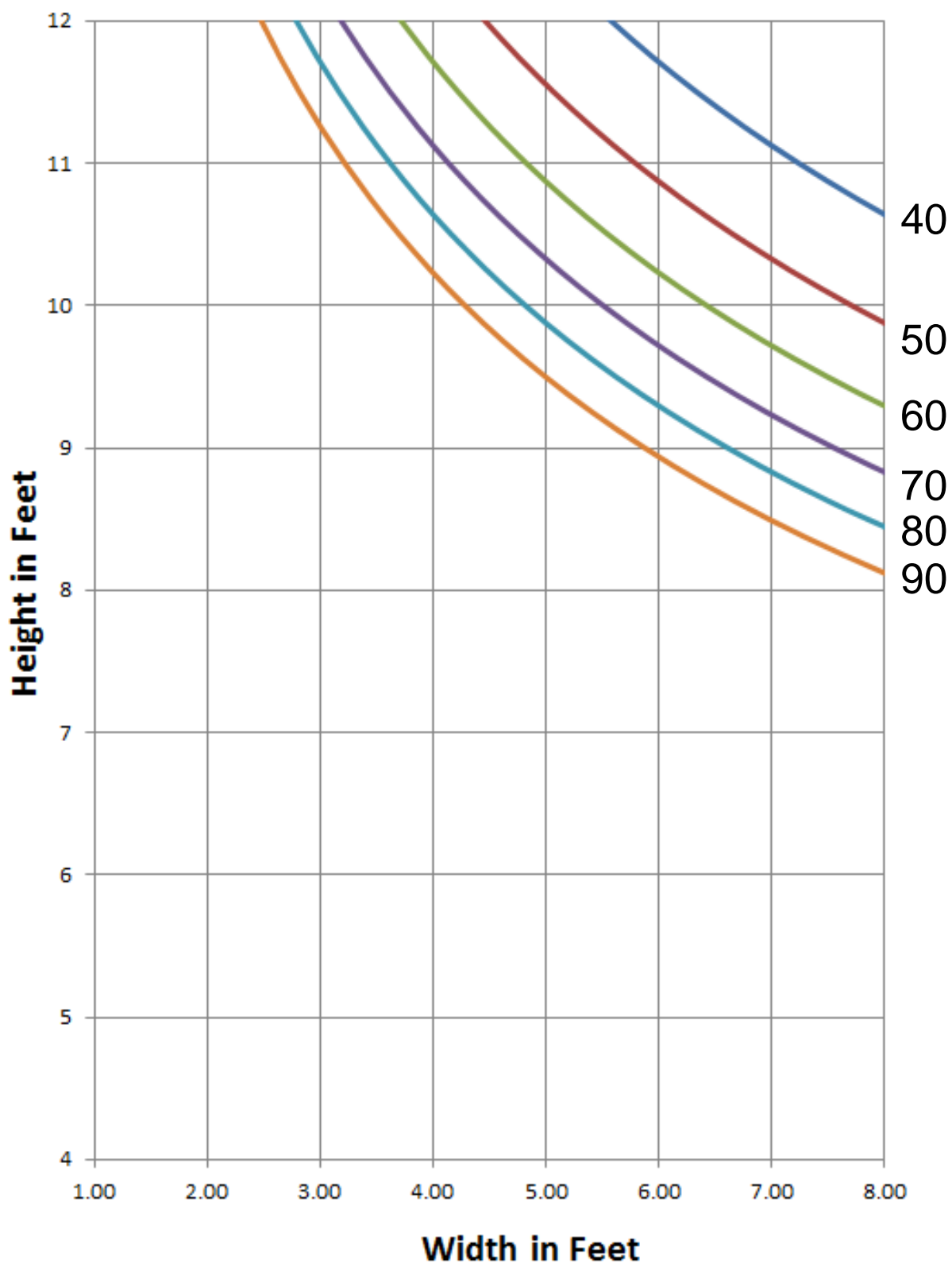
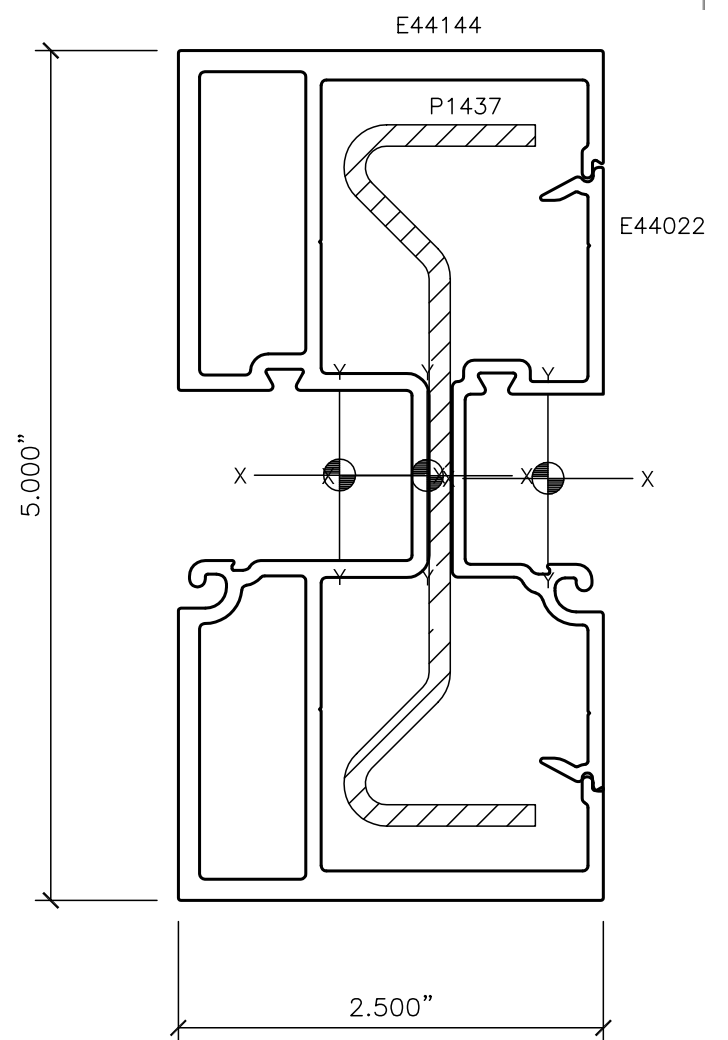


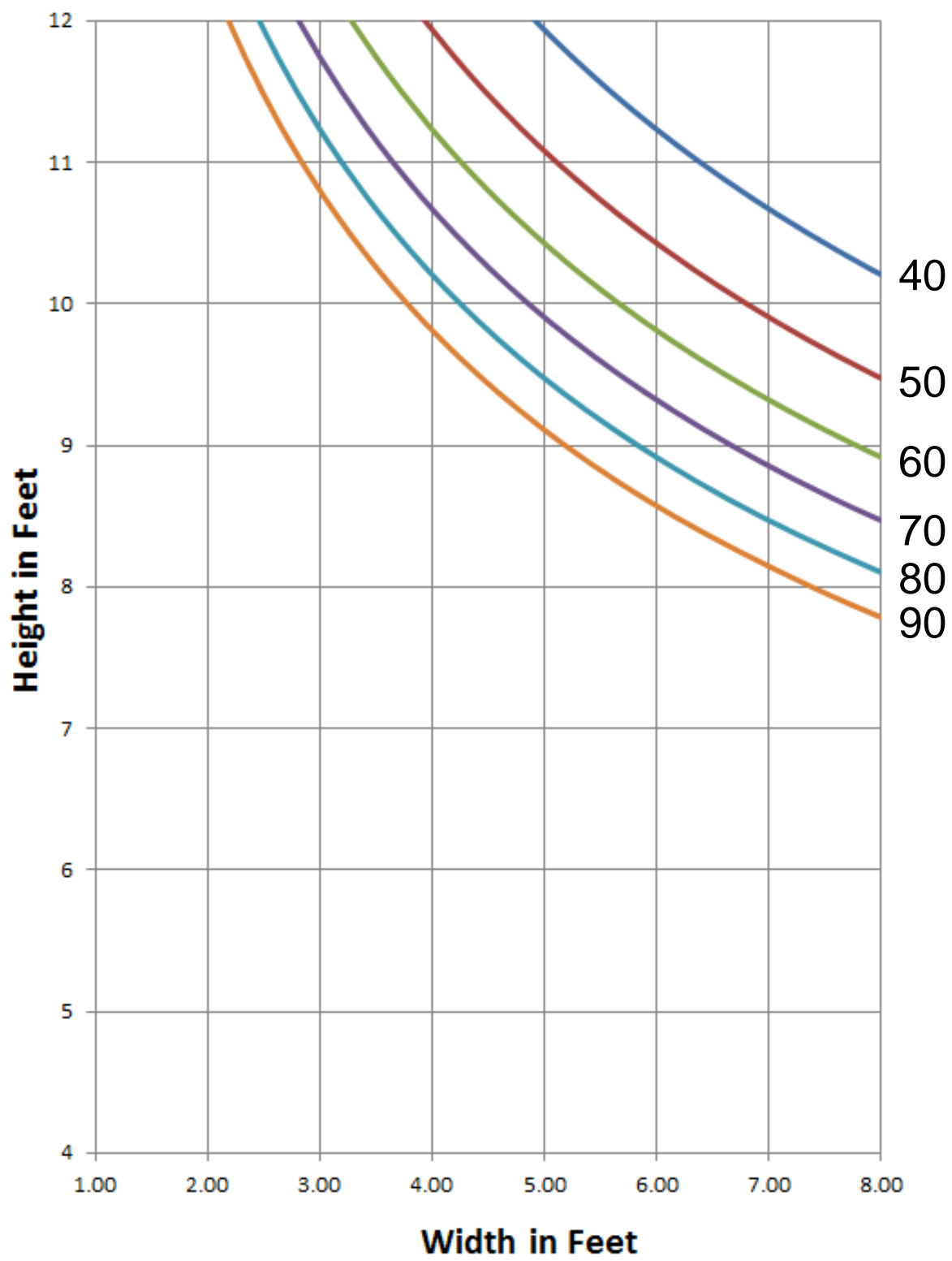
E44144 / E44022 / P1437 Steel
 $L/175 < 13'-6"$
15151 psi maximum stress
 $I_{xx} = 12.647$ $S_{xx} = 5.058$



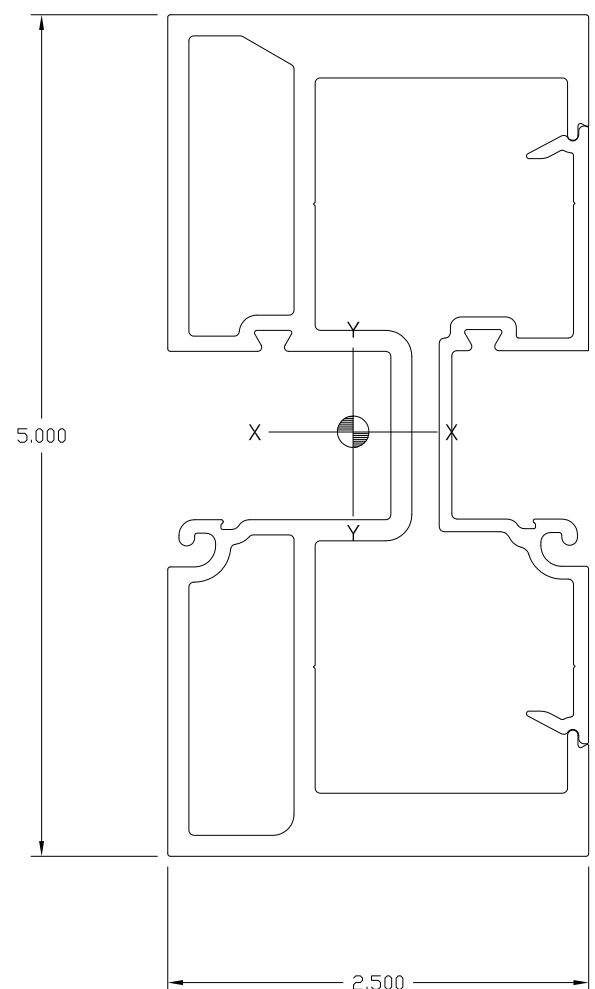
Curves are based on criteria for a uniformly loaded, simple beam. Loading is assumed to be rectangular in shape. Glass has not been considered as a contributor for deflection resistance.



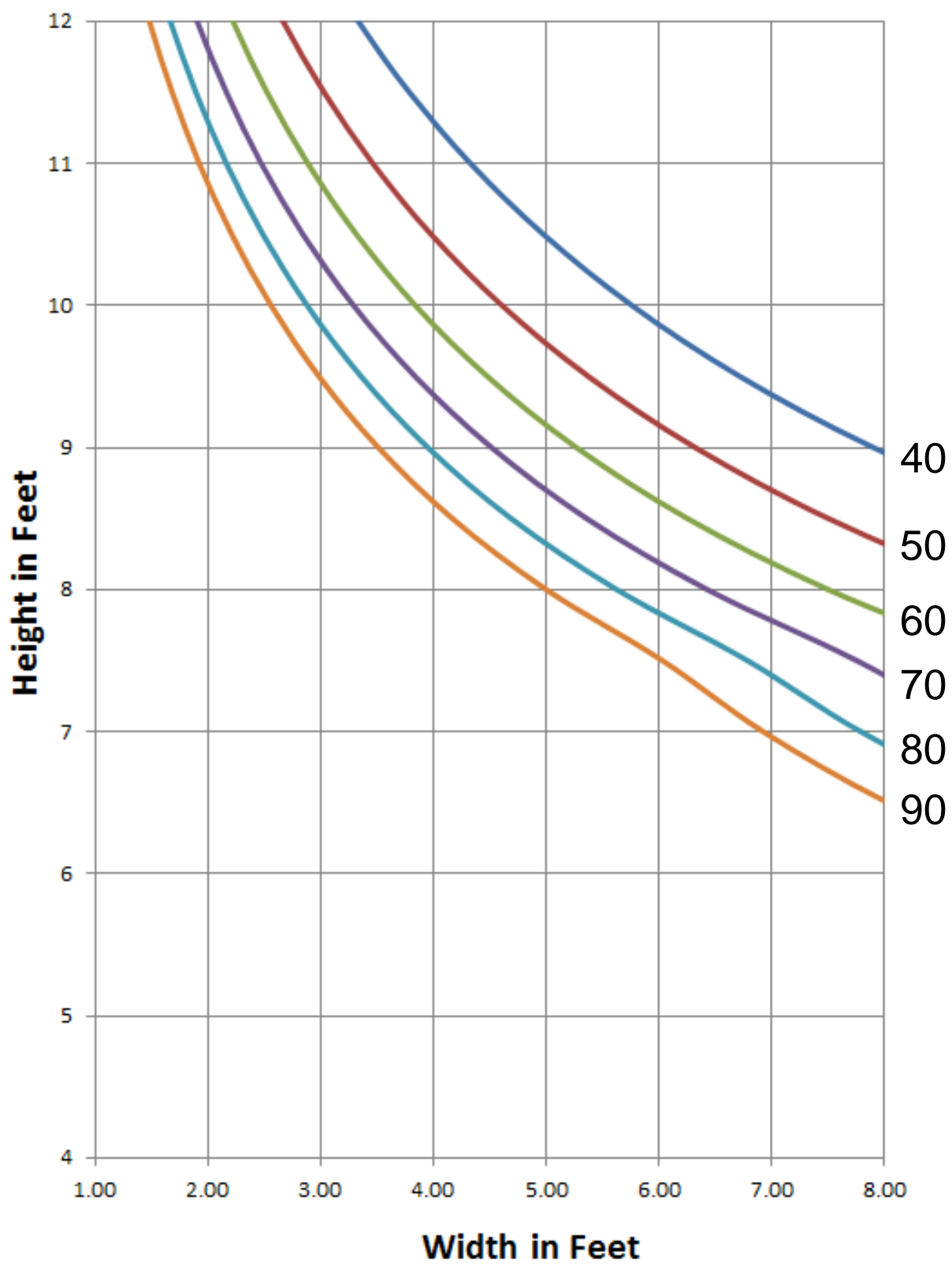
E44261 / E44022
L/175 < 13'-6"
15151 psi maximum stress
I_{xx} = 11.159 S_{xx} = 4.429



Curves are based on criteria for a uniformly loaded, simple beam. Loading is assumed to be rectangular in shape. Glass has not been considered as a contributor for deflection resistance.



E44144 - E44022
 $L/175 < 13'-6''$
15151 psi maximum stress
 $I_{xx} = 7.560$ $S_{xx} = 3.023$



Curves are based on criteria for a uniformly loaded, simple beam. Loading is assumed to be rectangular in shape. Glass has not been considered as a contributor for deflection resistance.

