

400 Series Curtainwall

Designed for low- and mid-rise applications, the durable framework of the 400 Series Curtainwall provides exceptional structural performance reducing the need for steel reinforcing. This system has a sightline of 2-1/2" and the strength of variable-depth backmembers from 3-3/8" to 8". An exterior screw-applied pressure bar secures the glass.

Snap-on covers, available in a wide range of colors, allow for different finishes on interior and exterior exposed surfaces. Silicone-glazed verticals are available for a seamless appearance.



**Standard Medium
Stile Entrances**

Utah State University – Wayne Estes Sports, Logan, UT

ALSO
USED
WITH

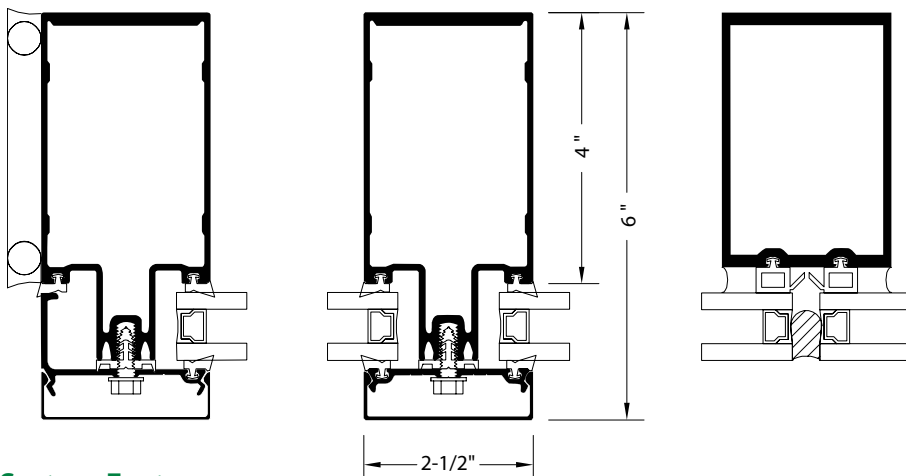
**14000 I/O Series
Multiplane
Storefront Framing**

TUBELITE[®]
DEPENDABLE

LEADERS IN ECO-EFFICIENT STOREFRONT,
CURTAINWALL AND ENTRANCE SYSTEMS

400

Series Curtainwall



System Features:

- Standard 6" (152.4mm) 7-1/2" and 10" depth systems have a 2-1/2" (63.5mm) sight line
- Outside glazed pressure-plate system available in captured and structural glazed configurations
- Standard infill option 1" (25.4mm), other infills available
- Thermally Improved using a continuous 1/8" (3.2mm) EPDM Isolator
- Can be shop-fabricated and shop-glazed for labor savings
- Silicone compatible glazing materials for long-lasting seals
- Captured & SSG inside and outside corners available

Optional Features:

- Steel reinforcing available
- Optional deep profile and bull nose covers available
- Silicone glazed intermediate verticals & horizontals available
- Polyamide pressure plates available
- Easily integrates with Tubelite's, Entrances, 3700 and Phantom 5000 Insert Vents, Maxblock Sunshades, and aLuminate Light Shelves
- Deep and heavy-weight mullions available

400 Series Curtainwall Product Specifications

Application: Low and mid-rise Commercial buildings including retail, office, healthcare, schools, etc.

Description: 2-1/2" x (5-5/8" to 10") field glazed, shear block construction curtainwall

Face Width:	System Depth:	Glass:	Air Infiltration:	Water Infiltration:	Structural:	CRF:	U-Factor**:	Acoustic:
2-1/2"	6" to 10"	1" std (1/4" – 1-1/8")	0.06 CFM/Ft.2 @ 6.24 PSF	15 PSF – Static 15 PSF – Dynamic	60 PSF – Design 90 PSF – Overload	66 _f 66 _g – Aluminum PP 79 _f 76 _g – Thermal PP 72 _f 69 _g – 4 Sided SSG	0.39 – Aluminum PP 0.34 – Thermal PP 0.31 – SSG	STC 32 OITC 26

** U-Factor per NFRC 100: COG = 0.24 with warm edge spacer, 1-3/4" x 4-1/2" non-thermal frame. Refer to the U-Factor table at: www.tubeliteinc.com/products/curtainwall/400-series-curtainwall/ for other glass makeups and configurations.

DISCLAIMER: Tubelite takes no responsibility for product selection or application, including, but not limited to, compliance with building codes, safety codes, laws, merchantability or fitness for a particular purpose; and further disclaims all liability for the use, in whole or in part, of this Technical Guide in preparation of project specifications and/or other documents. Technical Guides are subject to change at any time, without notice, and at Tubelite's sole discretion. ©2018 Tubelite Inc.

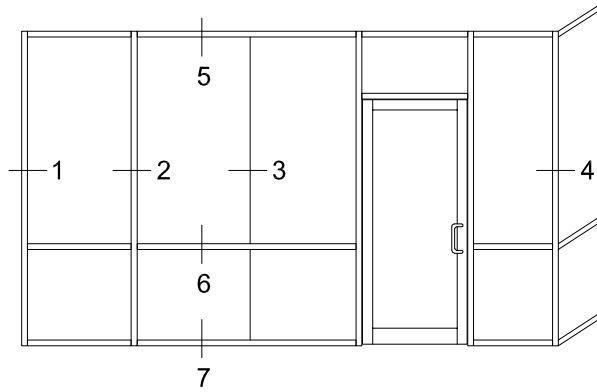
102120

TUBELITE®

DEPENDABLE

LEADERS IN ECO-EFFICIENT STOREFRONT,
CURTAINWALL AND ENTRANCE SYSTEMS

400 Series Curtain Wall

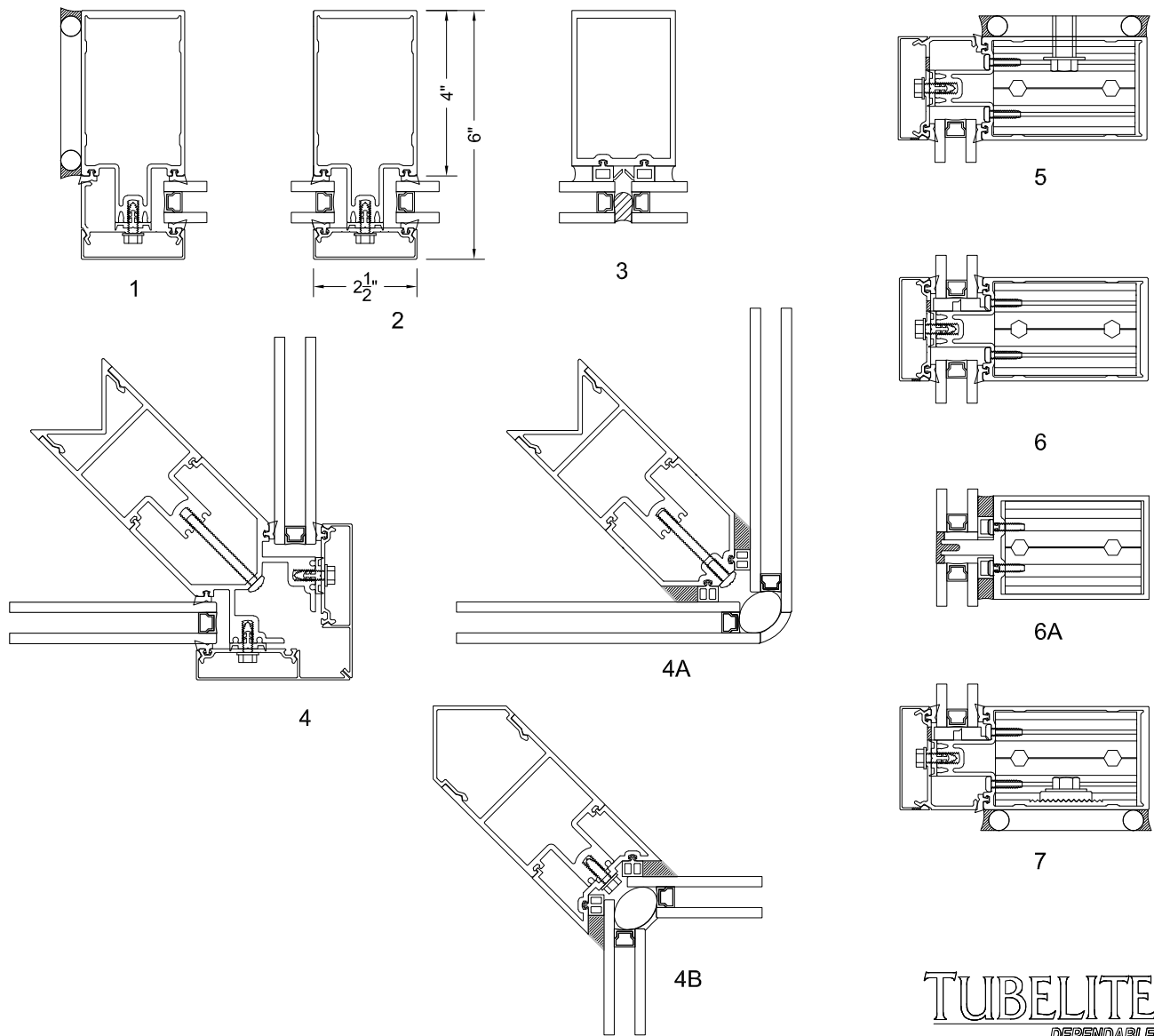


400 Series Curtain Wall also available with polyamide pressure plates

Tubelite reserves the right to change system configuration without prior notice when deemed necessary for product improvements.

Laws and building & safety codes governing the design and use of glazed entrance, window and curtain wall systems vary widely. Tubelite does not control the selection of product configurations, operating hardware or glazing materials, and assumes no responsibility thereof.

Standard Details 1/4 scale

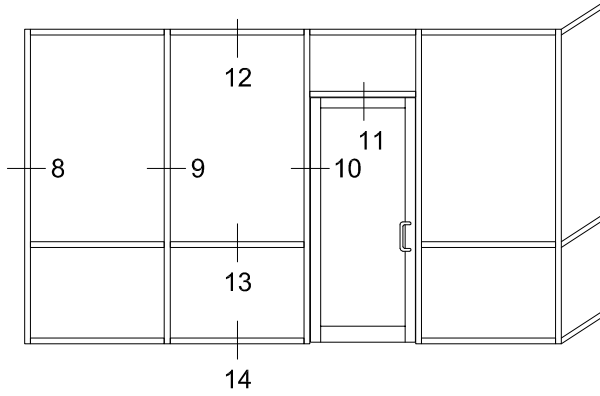


December 2017

TUBELITE®
DEPENDABLE
LEADERS IN ECO-EFFICIENT STOREFRONT,
CURTAINWALL AND ENTRANCE SYSTEMS

For specific product applications, contact your Tubelite representative.
Details on this page represent standard details found on our website.
For more options, visit our website at www.tubeliteinc.com/400-series-curtainwall/

400 Series Curtain Wall

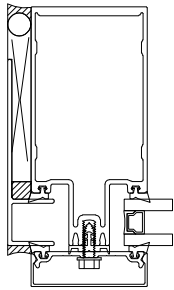


400 Series Curtain Wall also available with polyamide pressure plates

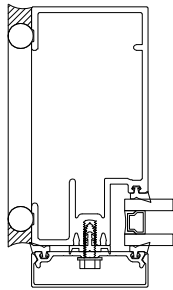
Tubelite reserves the right to change system configuration without prior notice when deemed necessary for product improvements.

Laws and building & safety codes governing the design and use of glazed entrance, window and curtain wall systems vary widely. Tubelite does not control the selection of product configurations, operating hardware or glazing materials, and assumes no responsibility thereof.

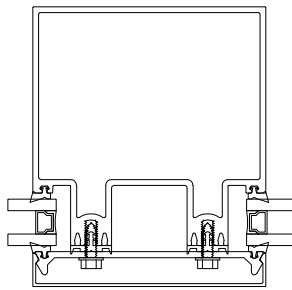
Optional Details 1/4 scale



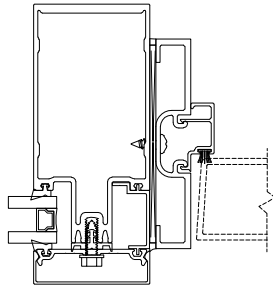
8



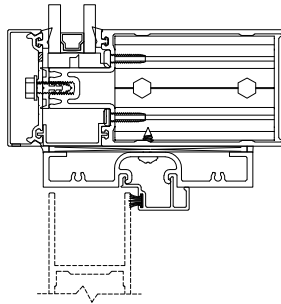
8A



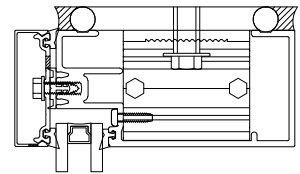
9



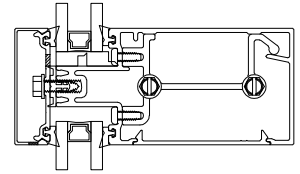
10



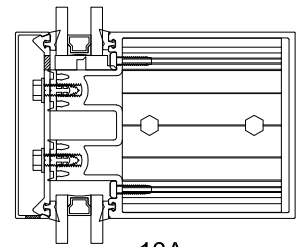
11



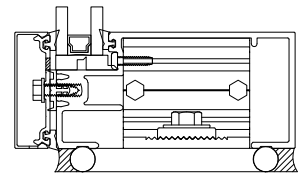
12



13



13A



14

TUBELITE®
DEPENDABLE
LEADERS IN ECO-EFFICIENT STOREFRONT,
CURTAINWALL AND ENTRANCE SYSTEMS

December 2017

For specific product applications, contact your Tubelite representative.
Details on this page represent standard details found on our website.
For more options, visit our website at www.tubeliteinc.com/400-series-curtainwall/