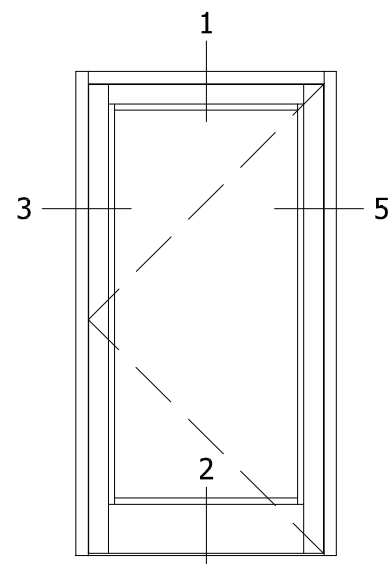
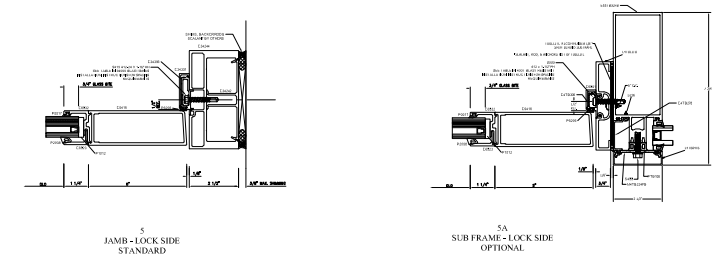
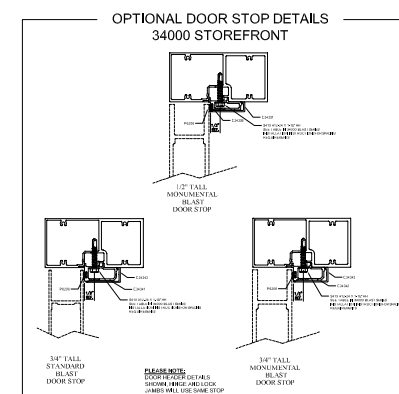
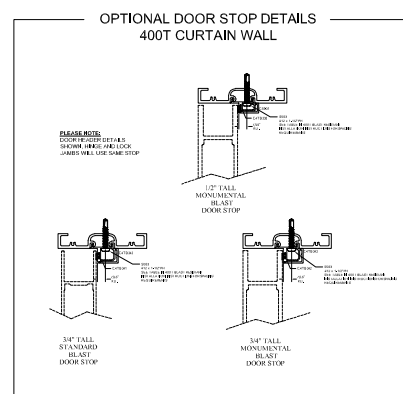
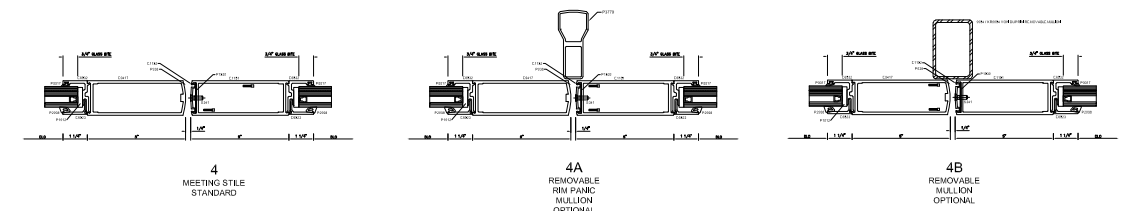
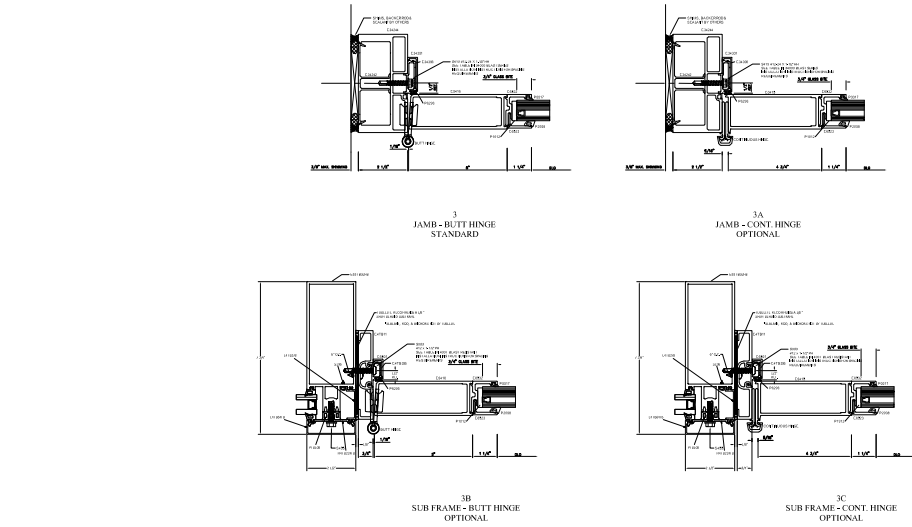
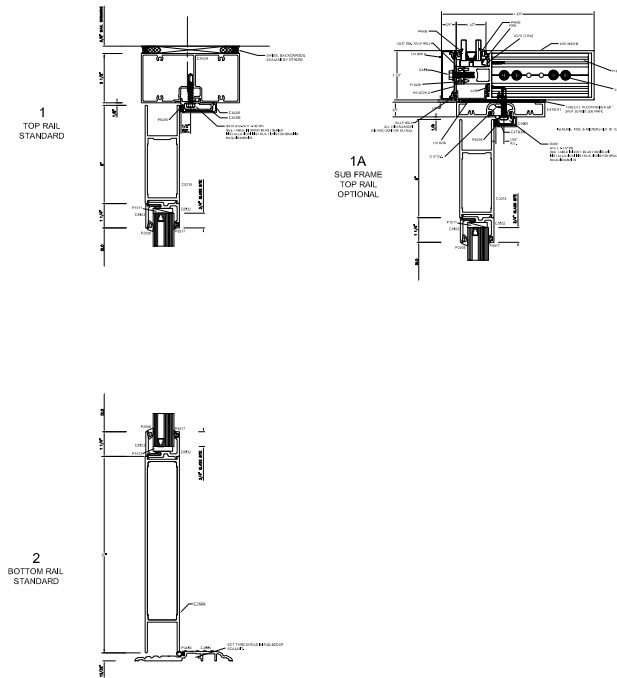


TYPICAL ELEVATION

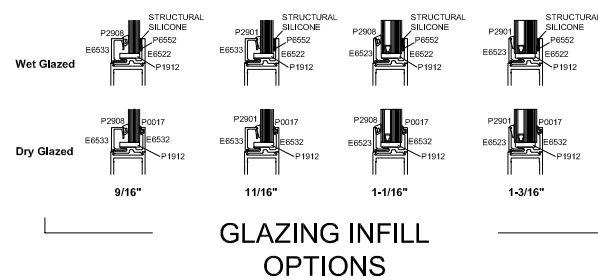


TYPICAL ELEVATION



**FORCEFRONT BLAST  
STANDARD WIDE STILE DOORS**  
BLAST DOORS CAN BE INSERTED INTO 400T BLAST OR 34000 BLAST FRAMING SYSTEMS.  
REFER TO SYSTEM PERIMETER SHEETS FOR FRAMING

ENGINEER OR PROJECT ENGINEER OF RECORD  
MUST BE CONSULTED FOR DOOR SIZING,  
HARDWARE AND CONFIGURATION OPTIONS USING  
THE DOOR STILE AND RAIL OPTIONS SHOWN



**TUBELITE®**  
**DEPENDABLE**  
LEADERS IN ECO-EFFICIENT STOREFRONT,  
CURTAINWALL AND ENTRANCE SYSTEMS  
Last Revised: 4/5/2021